

Lift Nipple and Junk Bonnet - Rental Equipment

The lift nipple provides the safe connection between the setting tool and the working string.

Features/Benefits

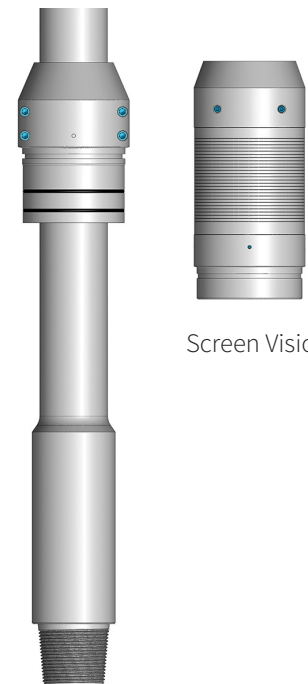
- Connection to operator's working string
- Available in various lengths to complement liner polished bore receptacle length
- Heavy wall tubular body manufactured of 4100 series alloy steel



The liner top junk bonnet serves as a retrievable closure to the polished bore receptacle. It is designed to prevent the risk of debris falling into the PBR.

Features/Benefits

- Reduces the risk of debris falling into the PBR extension
- Attached to the top of PBR extension by shear pins



Standard Vision

Screen Vision