

Chemsafe Piping Systems - Dual Contained

Table 1 Nominal Design Sizes & Pressure Ratings

Size O.D.	Size N.B.	Secondary SDR	Primary SDR
90x40	75x32	SDR 33 - 4 Bar	SDR17.6 - 7.5 Bar
90x50	75x40	SDR 33 - 4 Bar	SDR17.6 - 7.5 Bar
110x63	100x50	SDR 33 - 4 Bar	SDR17.6 - 7.5 Bar
160x90	150x75	SDR 33 - 4 Bar	SDR17.6 - 7.5 Bar
160x110	150x100	SDR 33 - 4 Bar	SDR17.6 - 7.5 Bar
225x160	200x150	SDR 33 - 4 Bar	SDR17.6 - 7.5 Bar
315x225	300x200	SDR17.6 - 7.5 Bar	SDR17.6 - 7.5 Bar
315x250	300x225	SDR17.6 - 7.5 Bar	SDR17.6 - 7.5 Bar
315x400	375x280	SDR17.6 - 7.5 Bar	SDR17.6 - 7.5 Bar
355x450	315x400	SDR17.6 - 7.5 Bar	SDR17.6 - 7.5 Bar
400x500	356x443	SDR17.6 - 7.5 Bar	SDR17.6 - 7.5 Bar
450x560	400x496	SDR17.6 - 7.5 Bar	SDR17.6 - 7.5 Bar
500x630	443x559	SDR17.6 - 7.5 Bar	SDR17.6 - 7.5 Bar
560x710	496x630	SDR17.6 - 7.5 Bar	SDR17.6 - 7.5 Bar
630x800	559x709	SDR17.6 - 7.5 Bar	SDR17.6 - 7.5 Bar
1000x800	886x709	SDR17.6 - 7.5 Bar	SDR17.6 - 7.5 Bar

Our Dual Contained Pipe & Fitting dimensions are indicated as 0.0. For nominal bore (N.B.) Refer to table 1

Other sizes are available upon request, contact us for further information.

Secondary = outer containment primary = inner carrier pipe

Material: PP-H x PP-H

Non-standard material options are available:

PE x PE

PP-H x GRE

PP-H x Stainless steel



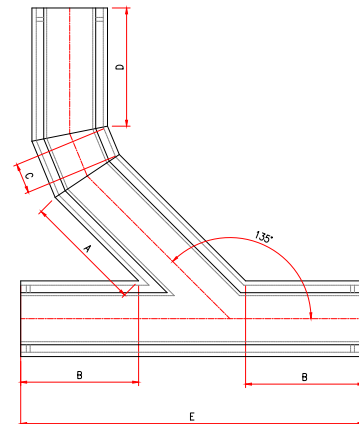
Dual Contained Pipe Length			
Size O.D.	Standard Length	Size O.D.	Standard Length
90x50	5m	315x250	5m
110x63	5m	400x315	5m
160x90	5m	400x500	5m
160x110	5m	500x630	5m
225x160	5m	630x800	5m
315x225	5m	800x1000	5m

Standard pipe lengths 5m other lengths (up to 10m) and sizes available upon request.



Dual Contained Long 90° or 91.5° Swept Branch					
Size O.D.	A	B	C	D	D
160x110	250	250	65	250	725
225x 160	250	250	65	250	820
315x225	250	250	65	250	945
315x250	250	250	65	250	945
400x315	250	250	65	250	1065
400x500	500	500	150	500	1705
450x560	500	500	150	500	1790
500x630	500	500	150	500	1890
560x 710	500	500	150	500	2000
630x800	500	500	150	500	2130
1000x800	500	500	150	500	2415

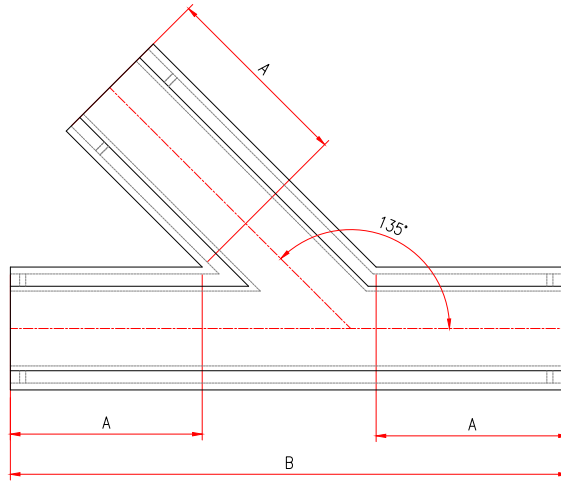
Standard angle 90° or 91.5° Alternative angles available on request
 Note: dimension a can be reduced for specific requirements contact FGS for details. *Subject to project specific requirements



Chemsafe Piping Systems - Dual Contained

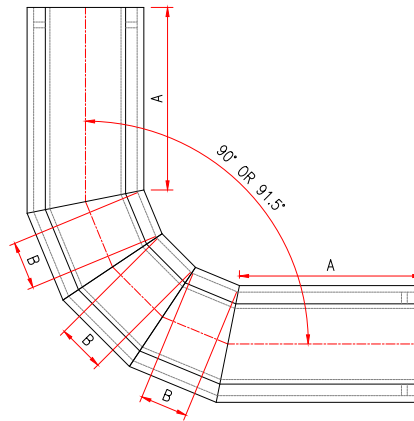
Dual Contained Lateral 135° Branch

Size O.D.	A	B
160x110	250	725
225x160	250	820
315x225	250	945
315x250	250	945
400x315	250	1065
500x400	500	1705
560x450	500	1790
630x500	500	1890
710x560	500	2000
800x630	500	2130
1000x800	500	2415



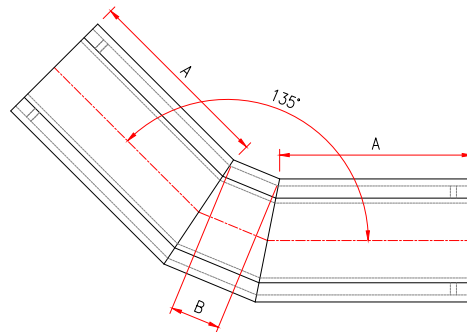
Dual Contained Swept Bend 90° or 91.5°

Size O.D.	A	B
50 - 400	250	65
450 - 1000	500	150



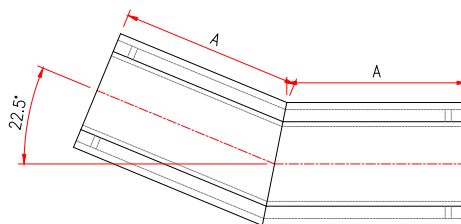
Dual Contained Swept Bend 135°

Size O.D.	A	B
50 - 400	250	65
450 - 1000	500	150



Dual Contained Swept Bend 22.5°

Size O.D.	A
50 - 400	250
450 - 1000	500



Note any angle of bend available.
Contact Fiber Glass Systems for
further information.

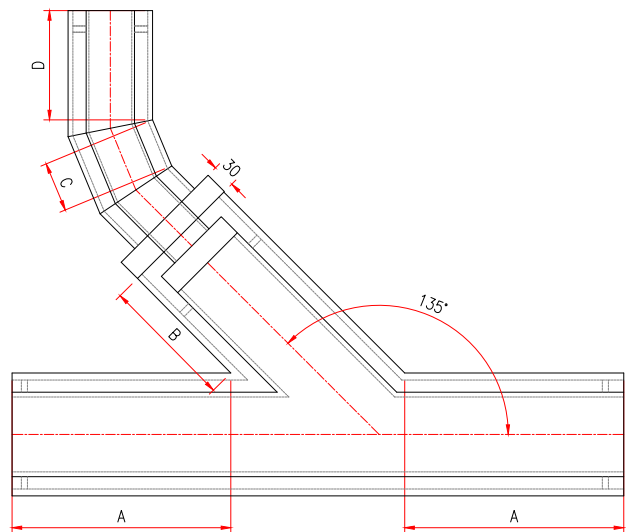
Chemsafe Piping Systems - Dual Contained

Dual Contained Lateral 135° Swept Reducing Branch					
Size O.D.	Reducer Size	A	B	C	D
225x160	160x110	250	375	65	150
315x225	160x110	250	375	65	150
315x225	225x160	250	375	65	150
315x250	160x110	250	375	65	150
315x250	225x160	250	375	65	150
400x315	160x110	250	375	65	150
400x315	225x160	250	375	65	150
400x315	315,225	250	375	65	150
400x315	315x250	250	375	65	150
400x500	110x160	500	280	65	150
400x500	160x225	500	280	65	150
400x500	225x315	500	280	65	150
400x500	250,315	500	280	65	150
400x500	315x400	500	280	65	150
450x560	110x160	500	385	150	250
450x560	160x225	500	385	150	250
450x560	225x315	500	385	150	250
450x560	250x355	500	385	150	250
450x560	355x450	500	385	150	250
500x630	160x200	500	395	150	250
500x630	200x250	500	395	150	250
500x630	250x315	500	395	150	250
500x630	315x400	500	395	150	250
500x630	400x500	500	395	150	250
560x710	200x250	500	405	150	250
560x710	315x250	500	405	150	250
560x710	250x355	500	405	150	250
560x710	355x450	500	405	150	250
560x710	450x560	500	405	150	250
630x800	225x315	500	415	150	250
630x800	250x315	500	415	150	250
630x800	315x400	500	415	150	250
630x800	400x500	500	415	150	250
630x800	500x630	500	415	150	250
1000x800	250x315	500	430	150	250
1000x800	315x400	500	430	150	250
1000x800	400x500	500	430	150	250
1000x800	500x630	500	430	150	250
1000x800	630x710	500	430	150	250

Reducing lateral branches can be manufactured to suit end user requirements.

Contact FGS for further information.

**Standard angle 135. Alternative angles available upon request

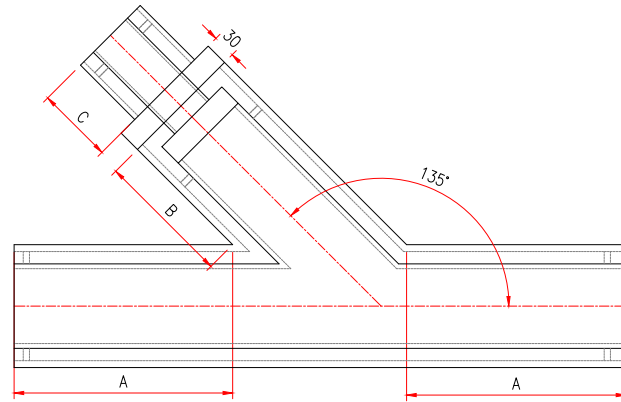


Chemsafe Piping Systems - Dual Contained

Dual Contained Lateral 135° Reducing Branch				
Size O.D.	Reducer Size	A	B	C
225x160	160x110	250	375	150
315x225	160x110	250	375	150
315,225	225x160	250	375	150
315x250	160x110	250	375	150
315x250	225x160	250	375	150
400x315	160x110	250	375	150
400x315	225x160	250	375	150
400x315	315x225	250	375	150
400x315	315x250	250	375	150
400x500	110x160	500	280	150
400x500	160x225	500	280	150
400x500	225x315	500	280	150
400x500	250x315	500	280	150
400x500	315x400	500	280	150
450x560	110x160	500	385	250
450x560	160x225	500	385	250
450x560	225x315	500	385	250
450x560	250x355	500	385	250
450x560	355x450	500	385	250
500x630	160x200	500	395	250
500x630	200x250	500	395	250
500x630	250x315	500	395	250
500x630	315x400	500	395	250
500x630	400x500	500	395	250
560x710	200x250	500	405	250
560x710	315x250	500	405	250
560x710	250x355	500	405	250
560x710	355x450	500	405	250
560x710	450x560	500	405	250
630x800	225x315	500	415	250
630x800	250x315	500	415	250
630x800	315x400	500	415	250
630x800	400x500	500	415	250
630x800	500x630	500	415	250
1000x800	250x315	500	430	250
1000x800	315x400	500	430	250
1000x800	400x500	500	430	250
1000x800	500x630	500	430	250
1000x800	630x710	500	430	250

Reducing lateral branches can be manufactured to suit end user requirements.

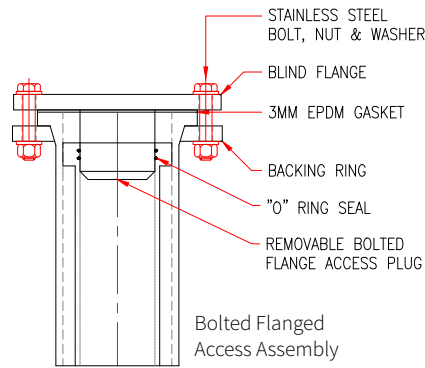
Contact us for further information.



Chemsafe Piping Systems - Dual Contained

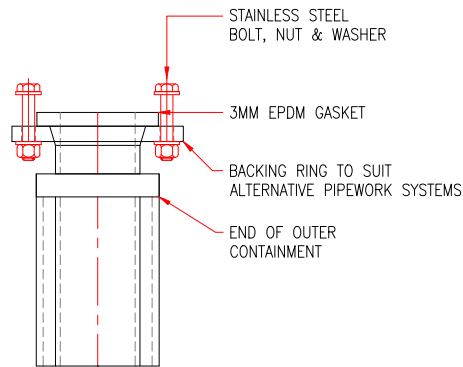
Dual Contained Flanged Access

Size O.D.
160x110
225x160
315x225



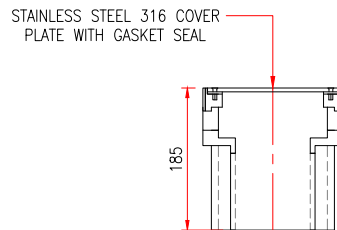
Dual Contained Flanged Connection

Size O.D.
160x110
225x160
315x225
315x250
400x315
400x500
400,560
500x630
560x710
630x800
800x1000



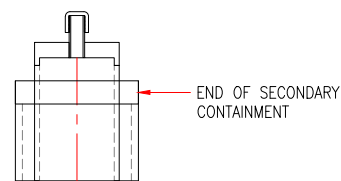
Dual Contained Rodding Point

Size O.D.
160x110
225x160



Dual Contained End of Containment

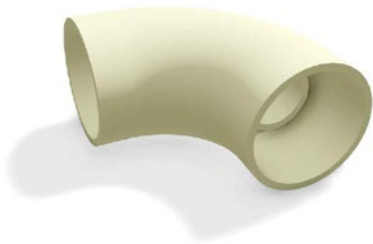
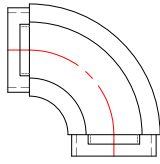
Size O.D.
160x110
225x160
315x225
315x250
400x315
400x500
450x560
500,630
560,710
630x800
800x1000



Chemsafe Piping Systems - Dual Contained

DC 90° Bend (Short Spigots)

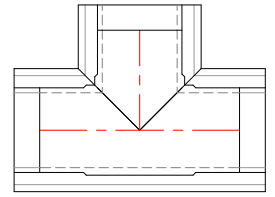
Size O.D.
90x40
90x50
110x63
160x90
110x160



90° Elbow With Butt Fusion Spigots

DC 90° Bend (Short Spigots)

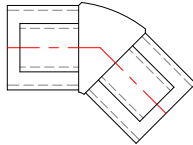
Size O.D.
90x40
90x50
110x63
160x90
160x110
225x160
315x225
400x315
500x400



Dual Contained Equal Tee with Butt Fusion Spigots

DC Elbow (Long Spigots)

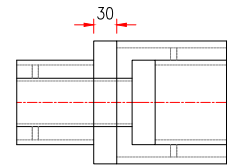
Size O.D.
90x40
90x50
110x63
160x90
110x160



45° Bend With Butt Fusion Spigots

Dual Contained Reducers

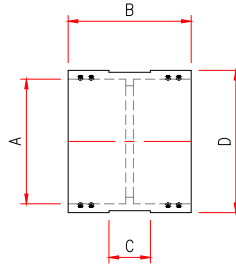
Size O.D.
110x63/90x40
110x63/90x50
160x90/110x63
160x110/160x90
225x160/160x110
315x225/225x160
315x225/315x250
400x315/315x250
500x400/315x400
450x560/400x500
500x630/450x560
560x710/500x630
630x800/560x710
800x1000/710x800



Chemsafe Piping Systems - Dual Contained

Double O Ring Socket with Stop

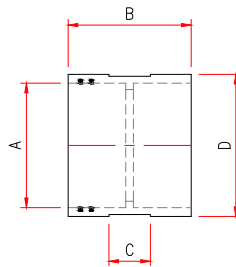
Size O.D.	A	B	C	D
63	63	90	32	75
75	76	110	32	89
90	91	160	42	108
110	111	160	42	138
160	162	160	54	185
225	227	200	54	248



Double O Ring Socket with Stop

Fusion O Ring Socket with Stop

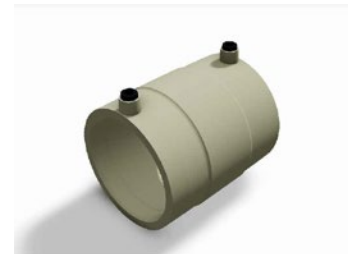
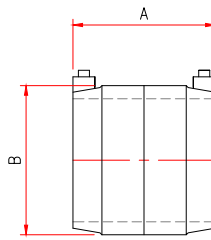
Size O.D.	A	B	C	D
63	63	90	32	75
75	76	110	32	89
90	91	160	42	108
110	111	160	42	138
160	162	160	54	185
225	227	200	54	248



Fusion O Ring Socket with Stop

Electro Fusion Socket

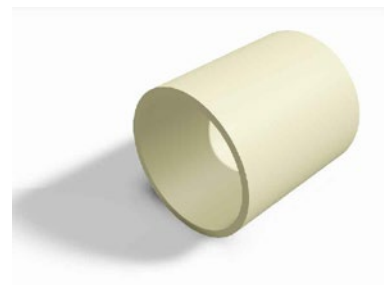
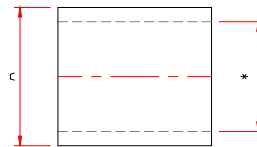
Size O.D.	A	B
63	117	80
75	128	95
90	144	112
110	159	136
160	185	194
225	210	273



Electro Fusion Socket

Hand Welded Slip Socket (Size O.D.)

A
110
160
200
225
250
315
400
450
500
560
630
710
800
900
1000

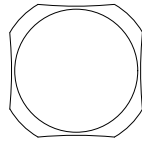


Hand Welded Slip Socket

*Can be manufactured to suit internal pipe requirements

Chemsafe Piping Systems - Dual Contained

Dual Contained Spacers
Size O.D.
160x110
225x160
315x225
315x250
400x315
400x500
450x560
500x630
560x710
630x800
800x1000



Chemical Drainage Piping Single Contained Pipe Jointing Methods

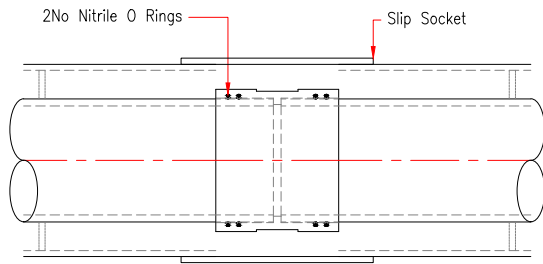


Fig 1 – Double O Ring with Stop Connection & Slip Socket Connection on Outer Containment

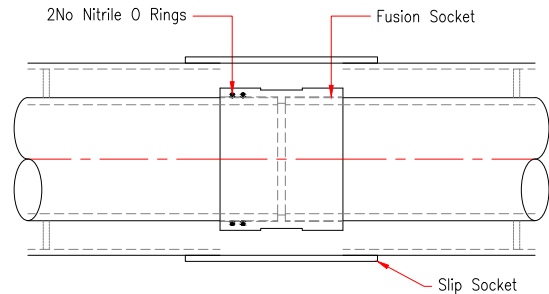


Fig 2 – Fusion / O Ring Socket with Stop Connection & Slip Socket Connection on Outer Containment

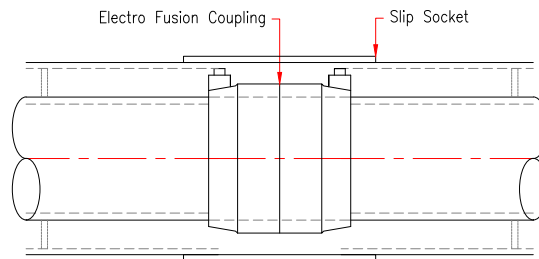


Fig 3 – Electro fusion with slip socket on outer containment