

# Pipex Catchpits and Siltpits

**Pipex px**  
Producing excellence  
[www.pipexp.com](http://www.pipexp.com)

**Pipex px**  
Producing excellence  
[www.pipexp.com](http://www.pipexp.com)

Pipex Catch pits/Silt pits are suitable for applications where the collection of sediment is required assist with the hydraulic performance of the drainage system.

Applications include chemical/corrosive chemical waste effluent and surface water drainage systems.

We can manufacture in a range of thermoplastic materials to suit the application in either Homopolymer Polypropylene PP-H, PE100, C-PVC and PVDF.

Associated Manholes, Holding Tanks, Pumping Stations, Floor Drains and Channels are available for the complete below ground effluent waste system from one supplier.

## Typical application areas:

- Below ground drainage
- Trade effluent waste
- Chemical
- Pharmaceutical
- Food and drink processing

## Key Advantages:

- Manufactured to suit project specific requirements
- Connections positioned as required
- Smooth internal bores no internal beads avoid build up of fats, oils and grease
- Depths and diameters as required
- No site assembly
- Can be pressure jetting to WRc standards
- Suitable for chemical dosing and cleaning operations

## Fiber Glass Systems - Pipex Siltpits & Catchpits



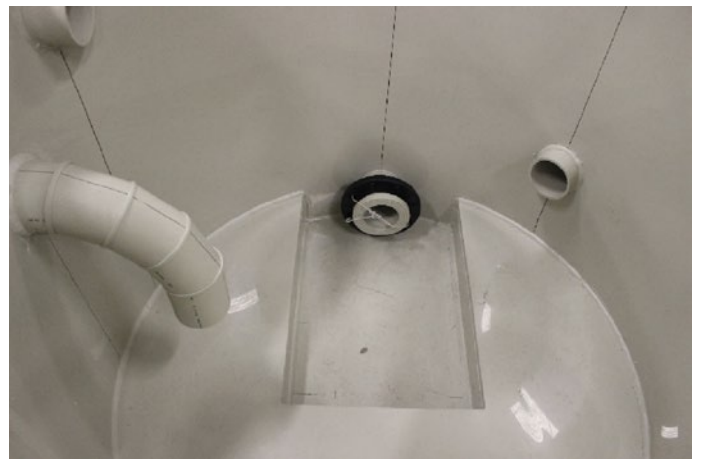
Siltpit with multiple inlets



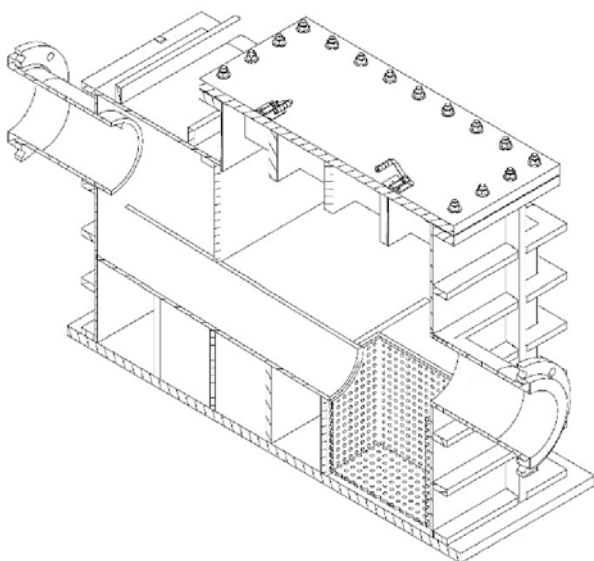
Multiple Inlets smooth internal surface



Siltpit with sealed air tight bolted cover and Siltpit with sump recess shuttering to accept concrete surround



Siltpit with sump recess



Bespoke Silt Trap with removable sediment basket



Numbered Siltpits delivered direct to site from Fiber Glass Systems UK Manufacturing Plant