

Chemineer™ Small Mixer

Solutions
for Industrial
Applications



NOV

Optimum Agitation Design... for Batch and Continuous Processing

Successful mixing applications come in a variety of sizes, from small lab scale to full size, multimillion gallon vessels. We offer a wide range of agitation equipment to serve any of your process needs. We are able to provide standard, off the shelf

small mixers within 24–48 hours or to completely custom engineer smaller units specific to your process and mechanical requirements.

Industry leading, sophisticated process and mechanical design software quickly generates

solutions complete with quotations, custom assembly/ dimension drawings and design loads in paper or electronic formats. Computational Fluid Mixing and Laser Doppler Anemometry can also be used to address process challenges.

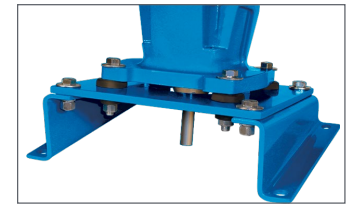
Mechanical Spectrum

- Continuous or batch mixing
- Flexible selection of output speeds
- Mixers up through 5 HP
- Shaft diameters 0.625", 1", 1.5"
- Positive shaft attachment eliminates inherent problems with grip spring designs
- 316/316L stainless as standard, high alloys, finishes and coatings available upon request
- Full range of impellers available
- Electric and air (dry or lubricated) motors
- Controls and monitoring devices available



Gear Reduced DT Mixer

- 1 Industry standard, off the shelf, NEMA electric or air motor
- 2 Advanced, heat treated helical gearing
- 3 Gear drive is permanently lubricated with high performance, synthetic grease
- 4 Sealed gear drive prevents both product and lubricant contamination
- 5 Helical, AGMA quality gears provide smooth, quiet operation
- 6 Elastomeric lip seal
- 7 Heavy duty, permanently lubricated and sealed for life bearings
- 8 Chuck coupling with dual set screws or bolted flange coupling (also available), allow for shaft removal without disassembling the unit



Gear reduced mixers are available with clamp, cup plate, vibration insulation plate, or 10° angle riser



Open Tank Models

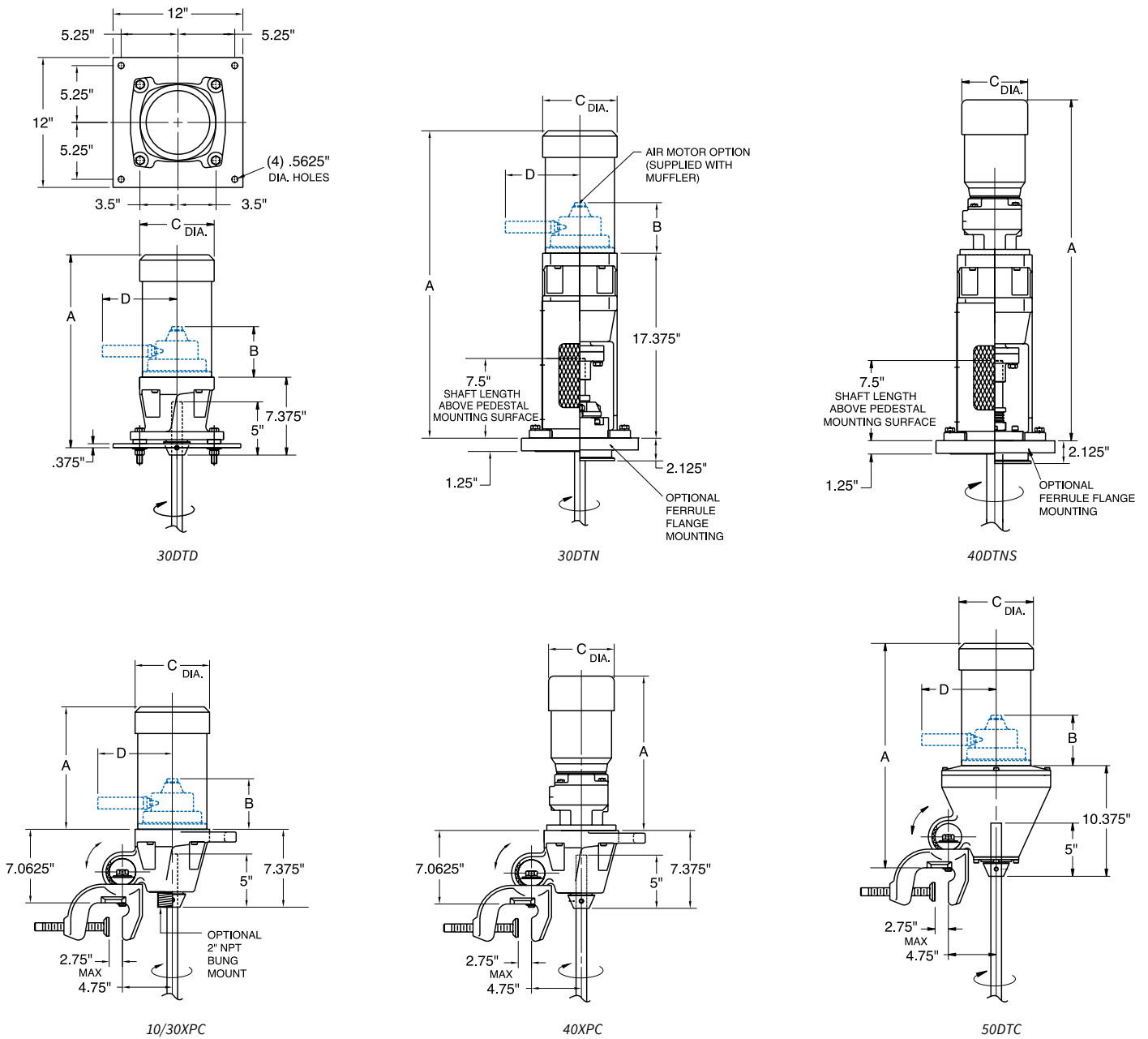
- DTD models
- Flexible configurations to meet your requirements
- Easy installation
- Low maintenance
- Direct or gear drive capability
- Shaft attachment: chuck, flanged or threaded couplings
- Operating speed flexibility: ask for designs below first critical speed as they eliminate the need for programming speed avoidance ranges
- Right angle drives offer low head room for tight spaces
- Small footprint for minimum interference with nozzles and process piping



Sealed Tank Models

- DTNS, DTN, DTA, DTL models
- Mechanical seals
 - Dry or wet running
 - Single, double or gas lift off designs
 - Others available upon request
- Optional shaft drop collar to facilitate seal removal
- Lip seals and stuffing boxes
- Shaft attachment: Flanged or threaded couplings
- Operating speed flexibility: Request designs below the first critical speed as they eliminate the need for programming inverter speed lock outs
- Mounting flanges: ANSI, ferrule (tri-clamp), DIN, special

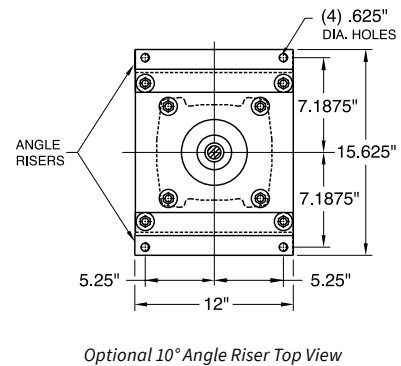
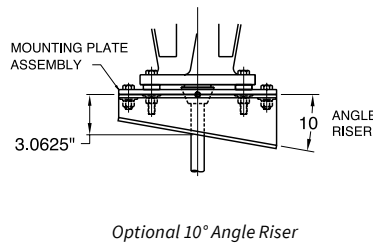
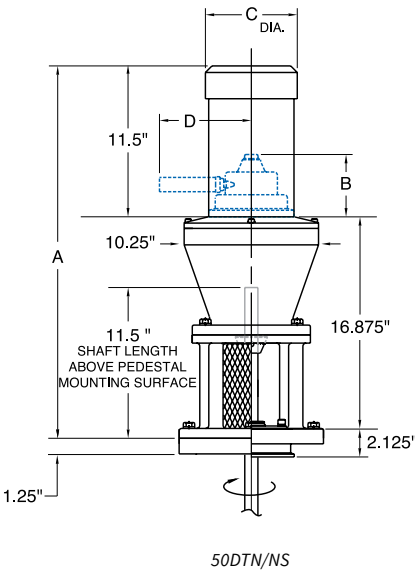
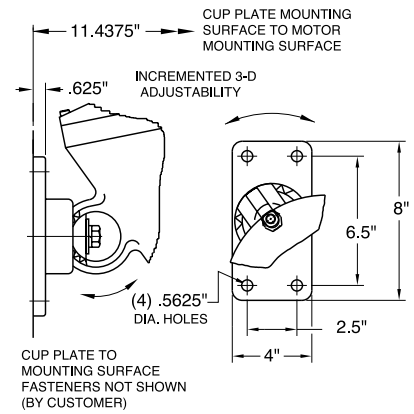
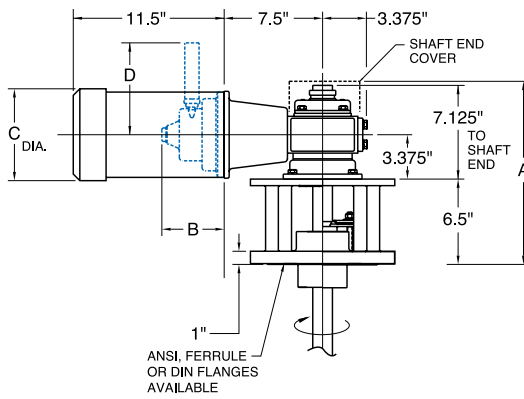
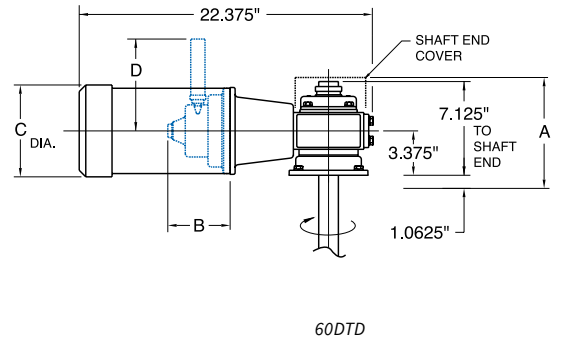
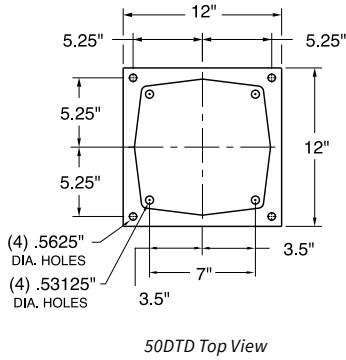
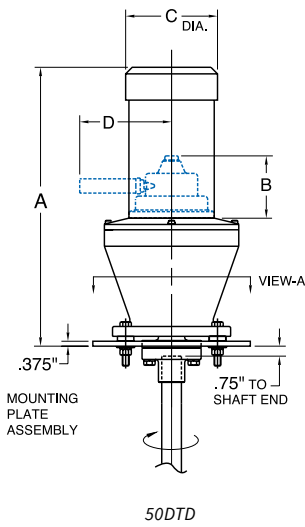
Dimensions



Quick Selection Chart

| Typical Product | Viscosity (CP) | Volume (Gallons) | | | | | | | | |
|----------------------|----------------|------------------|----------|-----------|-----------|-----------|-----------|-----------|-----------|-----------|
| | | 25 | 50 | 100 | 200 | 500 | 1,000 | 2,000 | 3,000 | 5,000 |
| Water, Kerosene | 1 | 10XP-0.5 | 10XP-0.5 | 10XP-0.5 | 10XP-0.5 | 30XP-1.5 | 30XP-1.5 | 40XPC-1.0 | 40XPC-1.0 | 50DTC-2.0 |
| Olive Oil | 100 | 10XP-0.5 | 10XP-0.5 | 10XP-0.5 | 30XP-1.5 | 40XPC-1.0 | 40XPC-1.0 | 40XPC-1.0 | 40XPC-1.0 | 50DTC-2.0 |
| Glucose, Latex Paint | 250 | 10XP-0.5 | 10XP-0.5 | 30XP-1.5 | 40XPC-1.0 | 40XPC-1.0 | 40XPC-1.0 | 40XPC-1.0 | 50DTC-2.0 | 50DTC-2.0 |
| Glycerin | 500 | 10XP-0.5 | 30XP-1.5 | 40XPC-1.0 | 40XPC-1.0 | 40XPC-1.0 | 40XPC-1.0 | 50DTC-2.0 | 50DTC-2.0 | 50DTC-2.0 |
| Castor Oil | 1,000 | 30XP-1.5 | 40XP-1.0 | 40XPC-1.0 | 40XPC-1.0 | 40XPC-1.0 | 50DTC-2.0 | 50DTC-2.0 | 50DTC-2.0 | 50DTC-2.0 |

Dimensions



Dimensions Chart

| Dimensions in Inches | Model | | | | | | | | | |
|----------------------|--------|---------|---------|-------|---------|---------|--------|----------|-------|-------------|
| | 30XPC | 30DTD | 30DTN | 40XPC | 40DTNS | 50DTC | 50DTD | 50DTN/NS | 60DTA | 60DTD & DTL |
| A | 13.25" | 19.875" | 30.625" | 14.5" | 31.875" | 25.125" | 25.25" | 28.375" | 14" | 8.4375" |
| B | 4.75" | 6.25" | 6.25" | — | — | 6.25" | 6.25" | 6.25" | 4.75" | 4.75" |
| C | 7" | 7" | 7" | 6.5" | 6.5" | 9.5" | 9.5" | 7" | 7" | 7" |
| D | 7" | 4.5" | 4.5" | — | — | 4.5" | 4.5" | 4.5" | 7" | 7" |



Portable Models

- Rugged cast aluminum housing
 - High strength, low weight design
 - Integral handle for ease of positioning
- Multi-directional clamp for horizontal and vertical adjustment
- Optional mounts
 - Cup plate mounting for increased stability
 - Threaded bung mount for drum mixing with collapsible impeller that fits through a standard opening
- Shaft attachment: Chuck or flanged couplings
- All stainless housings and motors available for superior cleanliness and corrosion protection
- Standard designs available in 24–48 hours



Optional cup plate allows for periodic shaft angle adjustment while still permanently affixed



An optional 2" NPT bung mount is also available for mixing the contents of standard drums

Impeller Process Technology

Our impeller process technology is effectively applied across your spectrum of applications ensuring successful, repeatable results from lab scale to full scale operations.

Our mixing expertise includes low shear liquid-liquid/solids blending, gas dispersion, high shear blending and viscous mixing. Whether it is

R&D or production phase, we have the expertise to solve your mixing challenges.

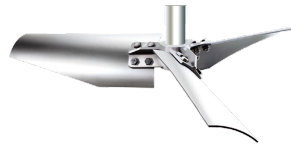
An impeller bulletin is available with additional information.



XE-3



BT-6



SC-3



JP-3



Anchor



Maxflo W



Dispersion Blade



Collapsible



Sales Facilities

US Ohio
+1 937 454 3200
chemineer@nov.com

US North Andover
+1 978 687 0101
navinfo@nov.com

United Kingdom
+44 1332 363 175
chemineeruk@nov.com

China
+86 21 6124 0001
chemineercn@nov.com

Singapore
+65 6271 1121
chemineeruk@nov.com

Mexico
+52 55 3300 5370
chemineerventasmx@nov.com

Austria
+43 1 8923481
chemineeruk@nov.com

Manufacturing Facilities

US
+1 937 454 3200
chemineer@nov.com

United Kingdom
+44 1332 363 175
chemineeruk@nov.com

China
+86 21 6124 0001
chemineercn@nov.com

Corporate Headquarters

7909 Parkwood Circle Drive
Houston, Texas 77036
USA

National Oilwell Varco has produced this brochure for general information only, and it is not intended for design purposes. Although every effort has been made to maintain the accuracy and reliability of its contents, National Oilwell Varco in no way assumes responsibility for liability for any loss, damage or injury resulting from the use of information and data herein. All applications for the material described are at the user's risk and are the user's responsibility.

