



# Hydra Rig™ 33K Tubing Reel

Building on tradition and dependability, the new generation of tubing reels has been designed.

Our 33K tubing reel is a large capacity tubing reel optimized to be skid or trailer mounted and provides an upgraded option to current reels, resulting in greater efficiencies on location and back at the yard. This design is ideally suited for all grades of 1 ½" to 2 ¾" coiled tubing, with capabilities of supporting some 2 7/8" designs.

As a result of integrating our high-strength, double-tapered spoke design to increase strength by 50% and stiffness by 33%, we provide a stronger and more capable reel with lasting performance.

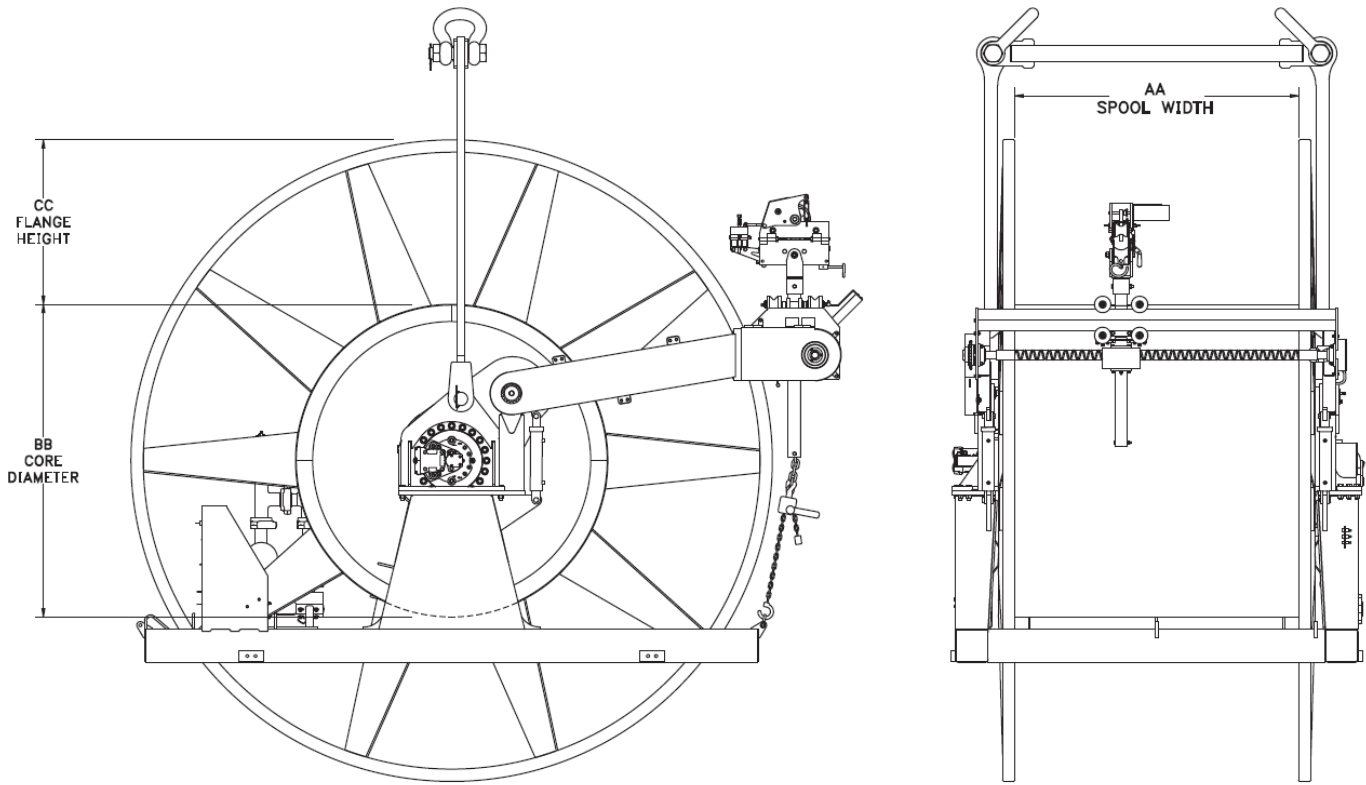
Powering the reel is a patent-pending and purposefully built direct drive gear box, providing confidence in the field for all applications - including coiled tubing and wireline operations. Wireline options that previously required a chain drive can now be handled with the performance and reliability of this direct drive.

Keeping efficiency in mind, we have incorporated the optional levelwind quick-change ratio cartridges.

#### Features and benefits

- Decreased flange flex due to high-strength, double-tapered spoke design
- Accommodates extra-long strings with increased payload of 150,000 lbs
- Direct drive gear box allows for a maximum drive torque of 33,000 ft-lbs and maximum speed of 10 rpm
- Patent-pending hybrid planetary offsets motor and allows for a collector port for wireline on drive side and optionally allows for remote hydraulic operation of spool safety valve
- Levelwind quick-change ratio cartridges allows easy levelwind ratio timing when swapping sizes

# 33K Tubing Reel



## Hydra Rig “Next Generation” Tubing Reel Numbering System

