

Octagonal Telecom Pole

GBO/GEO Model

We know how cities work. Let's build connectivity together.

When you're in the business of connecting people through 4G and 5G technology, poles are only one part of your significant project scope. Our industry experts have aided in the creation of engineering, aesthetic, and design standards for lighting, telecommunications, and multi-use structures. Let our dedicated team expertly guide you through the process and support your project delivery on time and on budget.

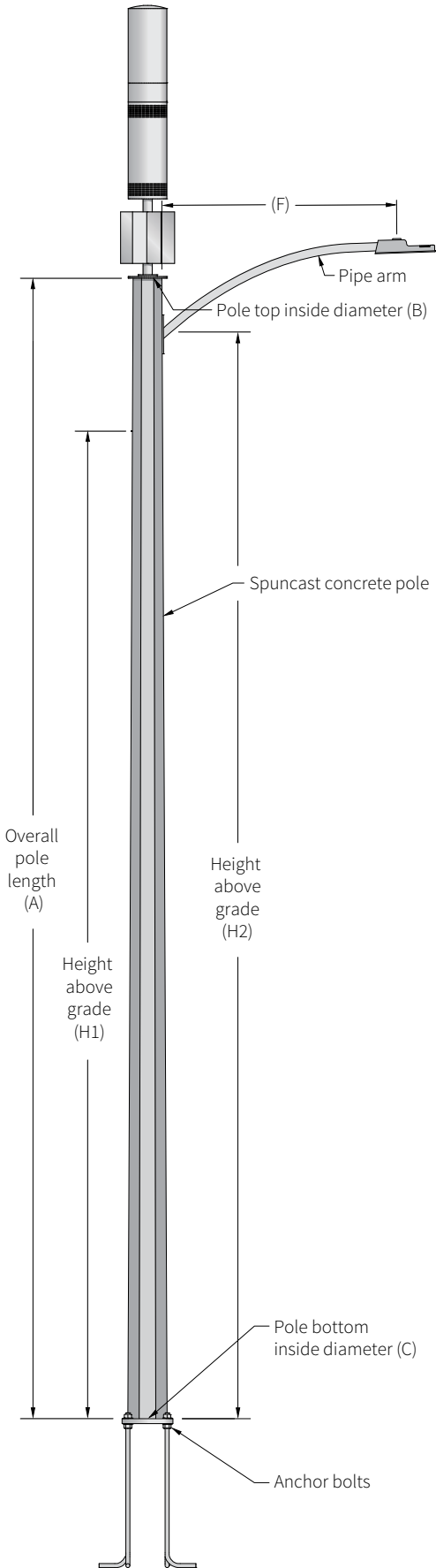
Features and Benefits

- Unique concrete manufacturing process that provides ultimate strength, durability, and beauty
- Virtually maintenance-free natural stone finish
- Design developed specifically to hold small cell equipment and accommodate additional wiring needs
- Integral baseplate fully pre-stressed to the structure providing additional strength and longevity or embedded option available
- Color options available to match municipal aesthetic requirements
- Amershield premium graffiti-resistant coating available to enhance the color, protect the surface, and increase the durability
- Installation and service available for quick stand up and support to minimize project time and cost
- Octagonal shape allows for replacement of existing Ameron 1C1, 1C4, or MEO/MBO structures or equivalents

Pole Shape



GBO/GEO Octagonal Telecom Pole



Pole type data

Overall pole length (A)	Top I.D. (B)	Bottom I.D. (C)
	4¼ in.	6½ in.

Choose one option:	Embedded	Baseplated

Top mount equipment data

Diameter (D)	Height (E)	Weight

Side mount equipment data and other accessories

Quantity	Height (A.G) (H1)	Width	Weight	Orientation	EPA (sq. ft.)

Arm data

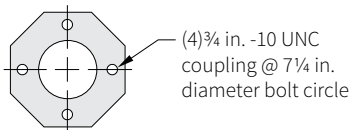
Quantity	Height (A.G) (H2)	Length (F)	Orientation

Extra handhole(s)

Quantity	Height (A.G)	Orientation

Additional specifications available. Contact NOV for more information.

Pole top coupling



Pole orientation

