

# Ameron™ Centrecon M-Series Round Pole - Embedded

## Also available in base plate style.

Our Centrecon M-Series prestressed, spun-cast concrete lighting poles provide the strength required for most shopping centers, parking lots, green belts or other areas requiring decorative and roadway lighting. Application can be post top, mast arm or side mounted. These strong, durable poles are available in various aggregates and finishes.

### Features and Benefits

- Prestressed steel and highest quality concrete are centrifugally cast for ultimate strength, durability, and vibration resistance
- Natural stone and terrazzo aggregates maintain a like-new appearance with virtually no maintenance
- Conforms to applicable sections of ACI, AASHTO, ASTM and PCI standards
- Exclusive 10-year warranty

### Colors and Finishes

A wide range of standard, pre-formulated and custom colors are available. The concrete shafts are lightly blasted to expose the texture and beauty of the natural stone. See separate Aggregates and Finishes sheet for details. We offer Amershield™, a premium graffiti-resistant coating, as well as other durable sealers and protectants that further enhance colors, protect the concrete surface and aid in the removal of graffiti.

### Durability with a classic touch.



For further information contact us at: 1.800.552.6376



[nov.com/poleproducts](http://nov.com/poleproducts)

# Ameron™ Centrecon M-Series Round Pole - Embedded

## Embedded style - information

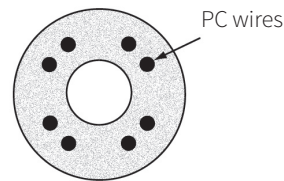
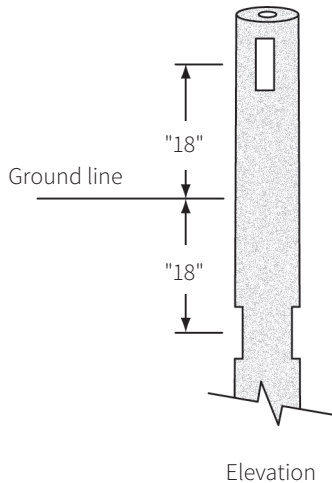
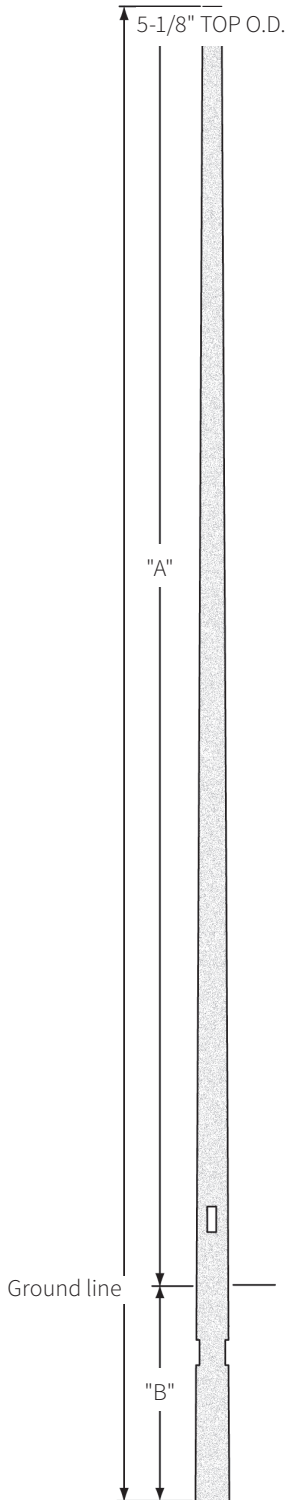
Catalog Number	Pole Height "A"	Bottom Dia.	Embedded Depth "B"	Overall Length "OL"	Ultimate G.L. Moment (ft. lbs.)	Pole Weight (lbs.)
MER02.6*	8'-8"	7"	3'-2"	11'-1"	7,000	260
MER03.2*	10'-9"	7-1/4"	3'-4"	14'-1"	9,000	320
MER04.3*	14'-0"	8-1/4"	5'-8"	19'-8"	14,000	600
MER05.2*	17'-0"	7-7/8"	5'-0"	22'-0"	14,000	680
MER06	19'-8"	8"	4'-11"	24'-7"	17,440	750
MER07	23'-0"	8-3/8"	4'-7"	27'-7"	19,030	850
MER07.5	24'-7"	8-9/16"	4'-11"	29'-6"	19,910	950
MER08	26'-3"	8-13/16"	4'-11"	31'-2"	20,790	1,050
MER08.5	27'-11"	9"	4'-11"	32'-10"	21,660	1,150
MER09	29'-6"	9-1/4"	5'-3"	34'-9"	22,540	1,200
MERX10	32'-10"	9-3/4"	5'-7"	38'-5"	30,800	1,650
MERX11	36'-0"	11-15/16"	6'-8"	42'-8"	42,200	2,100
MERX12	39'-4"	12-7/16"	6'-7"	45'-11"	47,500	2,500
MERX13	42'-8"	13"	6'-6"	49'-2"	49,300	2,850
MERX13.9	45'-7"	13-1/2"	6'-11"	52'-6"	52,700	3,000

\*MER02.6, MER03.2, MER04.3, and MER05.2 have a smaller HH opening.

**Specifications:** Use Centrecon Specifications

**Colors and finishes:** See Centrecon color selection guide

**Luminaire mounting:** See Mounting Options section for more information



Shaft cross section detail

For further information contact us at: 1.800.552.6376



[nov.com/poleproducts](http://nov.com/poleproducts)

© 2017 National Oilwell Varco - All rights reserved - 11509\_ENG\_v01