

Ameron™

Contemporary Series 1C3 / 0C3 Round Poles

Available in base plate and embedded styles

Our 1C3 and 0C3 poles are the ideal strength for larger roadways and street lighting, parking lots, recreational areas and similar areas. Application can be post top or side mounted.

Features and Benefits

- Prestressed steel and highest quality concrete are centrifugally cast for ultimate strength, durability and vibration resistance
- Natural stone and terrazzo aggregates maintain a like new appearance with virtually no maintenance
- Conforms to applicable sections of ACI, AASHTO, ASTM, and IBC standards
- Exclusive 10-year warranty

Colors and Finishes

A wide range of standard, pre-formulated and custom colors are available. The concrete shafts are lightly blasted to expose the texture and color of the natural stone. See separate Aggregates and Finishes sheet for details. We offer Amershield™, a premium graffiti-resistant coating, as well as other durable sealers and protectants that further enhance colors, protect the concrete surface and aid in the removal of graffiti.

Durability with a classic touch.



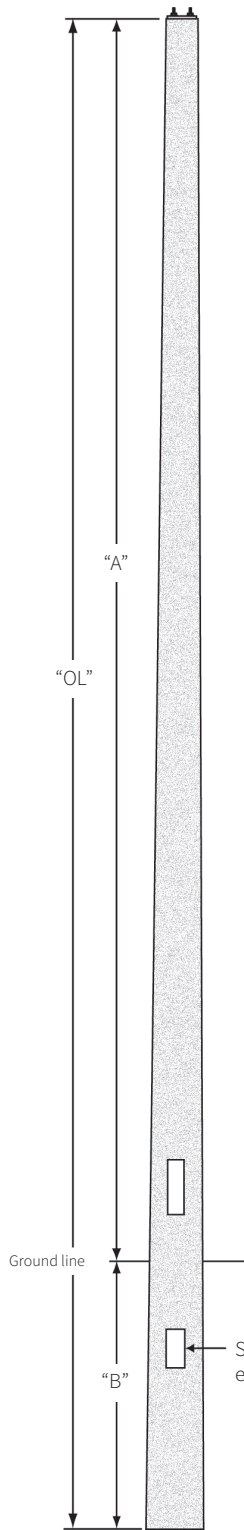
For further information contact us at: 1.800.552.6376



nov.com/poleproducts

Ameron™ Contemporary Series 1C3 / 0C3 Round Poles

6" Top O.D.



0C3 Embedded Pole

Base Plate Style - Information

| Catalog Number | Pole Height "A" | Base O.D. | Anchor Bolt | Bolt Circle | Base Plate (SQ) | Ultimate G.L. Moment (ft. lbs.) | Pole Weight (lbs.) |
|----------------|-----------------|-----------------------------------|---------------|----------------------------------|-----------------|---------------------------------|--------------------|
| 1C322 | 22'-8" | 9 ³ / ₁₆ " | 1" x 36" x 4" | 12 ¹ / ₂ " | 14" | 31,400 | 980 |
| 1C325 | 25'-0" | 9 ⁷ / ₁₆ " | 1" x 36" x 4" | 15 ¹ / ₄ " | 14" | 34,700 | 1,240 |
| 1C328 | 28'-1" | 9 ⁷ / ₈ " | 1" x 36" x 4" | 15 ¹ / ₄ " | 14" | 38,800 | 1,495 |
| 1C330 | 30'-1" | 10 ³ / ₁₆ " | 1" x 36" x 4" | 15 ¹ / ₄ " | 14" | 41,700 | 1,730 |
| 1C333 | 33'-0" | 10 ¹ / ₂ " | 1" x 36" x 4" | 15 ¹ / ₄ " | 14" | 46,100 | 1,840 |

Embedded Style - Information

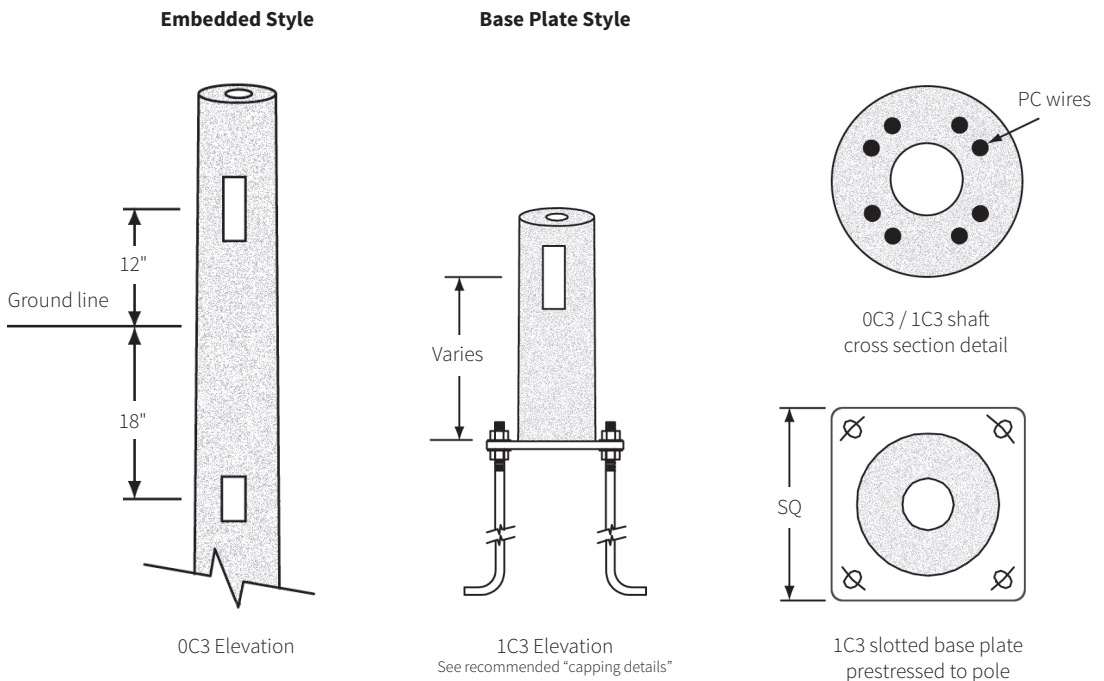
| Catalog Number | Pole Height "A" | Bottom Dia. | Embedded Depth "B" | Overall Length "OL" | Ultimate G.L. Moment (ft. lbs.) | Pole Weight (lbs.) |
|----------------|-----------------|-----------------------------------|--------------------|---------------------|---------------------------------|--------------------|
| 0C322 | 18'-5" | 9 ³ / ₁₆ " | 4'-3" | 22'-8" | 25,500 | 960 |
| 0C325 | 20'-0" | 9 ⁷ / ₁₆ " | 5'-0" | 25'-0" | 28,000 | 990 |
| 0C328 | 23'-0" | 9 ⁷ / ₈ " | 5'-0" | 28'-0" | 30,500 | 1,475 |
| 0C330 | 25'-0" | 10 ³ / ₁₆ " | 5'-0" | 30'-0" | 32,800 | 1,720 |
| 0C333 | 27'-6" | 10 ¹ / ₂ " | 5'-6" | 33'-0" | 35,800 | 1,820 |

Specifications: Use Contemporary Specifications.

Colors and finishes: See Contemporary Color Selection Guide.

Luminaire mounting: See technical-mounting options section for more information.

Anti-graffiti and sealer: Optional coatings available for added protection.



Embedded Style

Base Plate Style

0C3 Elevation

1C3 Elevation
See recommended "capping details"

1C3 slotted base plate
prestressed to pole

For further information contact us at: 1.800.552.6376

