



Procon Engineering

(A Division of National Oilwell Varco UK Limited)



Type LP33 (DS 2500) – Shear Beam Load Cell capacities 500kg to 40te

capacities 500kg to 40 tonnes

stainless steel construction

hermetically sealed – IP67

wide range of mounting accessories

The LP33 is a high performance range of shear beam load cells specifically designed for process weighing applications.

Fully welded stainless steel construction and a wide range of optional mounting accessories make it an ideal choice in demanding applications.

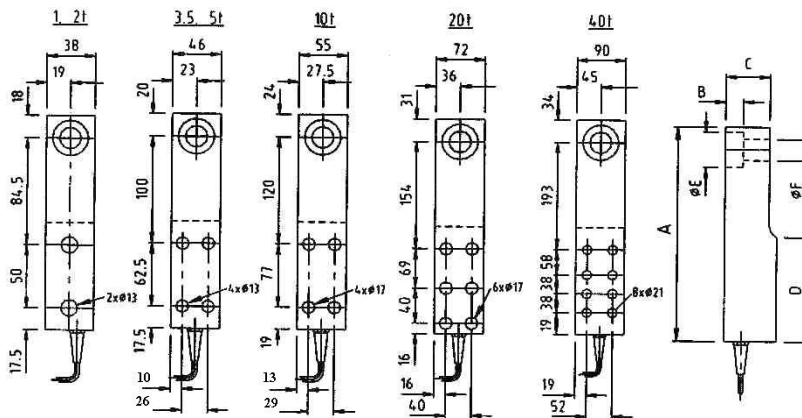
technical specification sheet

Type LP33 (DS2500) –Shear Beam Load Cell

SPECIFICATION

LP33 (DS2500) SPECIFICATION	
Ranges:	500kg to 40,000kg
Non Linearity:	± 0.05% max
Hysteresis:	±0.05% max
Repeatability	±0.01% max
Input Resistance:	410 ohms nominal
Output Resistance:	350 ± 2 ohms
Excitation Voltage:	Recommended 10V. Maximum 18V
Sensitivity:	2.5mV/V ± 0.1%
Zero Load Output:	± 1% max.
Temperature Range:	Compensated: -10 to + 50°C. Operating: -20 to + 80°C
Temperature Effect on Zero Load Output:	± 0.002%/°C
Temperature Effect on Span:	± 0.001%/°C
Creep: (full load – allow 10 secs to settle before initial readings)	0.03% (30 minutes)
Overload Rating: (x Full Capacity)	Safe: 1.5. Ultimate: 3.0
Safe Side Load: (x Full Capacity)	0.5
Cable:	5m of 4 core screened cable with pigtail end (12m of cable for capacities above 5te) Cable diameter (nom): 4.8mm up to and including 3.5te, 7.0mm for 5te and above.
Material and Finish:	Stainless Steel, 17-4-PH
Protection Class:	IP67 Hermetically sealed

LP33 (DS2500) WIRING	
Red	Excitation Positive
Blue	Excitation Negative
Green	Signal Positive
Yellow	Signal Negative
Screen	Not connected to loadcell



Procon Engineering's policy is one of continuous product enhancement. We therefore reserve the right to incorporate technical modifications without prior notification. E & O E.

Procon Engineering
Vestry Estate
Sevenoaks
Kent, UK
TN14 5EL

tel: +44 (0)1732 781300
fax: +44 (0)1732 781311
web site: www.proconeng.com

All bolts used must be to ISO Grade 12.9								
Capacity (te)	A	B	C	D	E	F	Weight kg	Torque Nm (lb.ft)
0.5, 1, 2	170	14	35	85	28.25	17	1.5	130 (94.7)
3.5, 5	200	18	44	100	32.25	21	3	130 (94.7)
10	240	21	53	120	38.25	25	5.5	315 (230)
20	310	29	71	155	53.25	30	11.5	315 (230)
40	380	39	97	190	60.25	35	23	582 (424)

