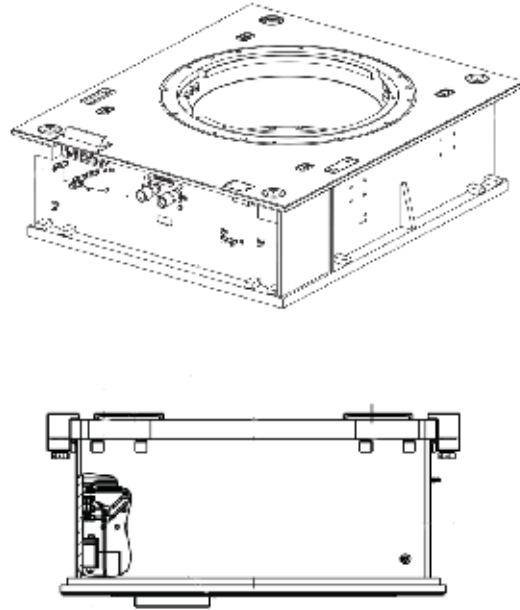
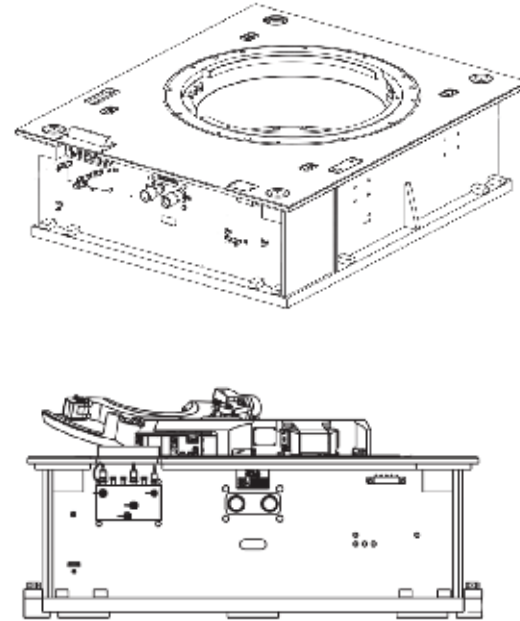
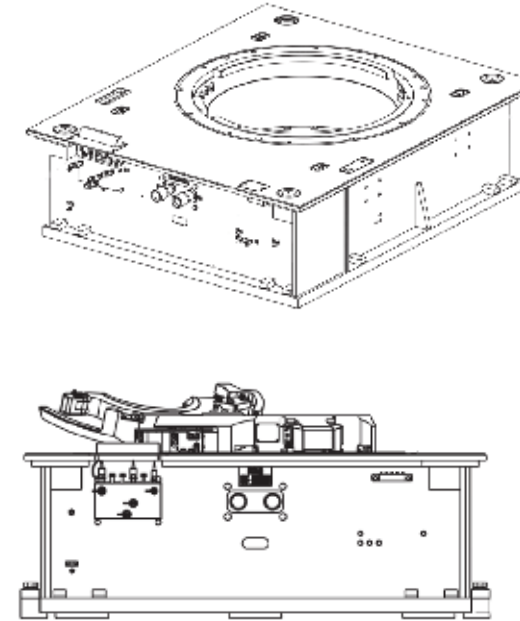


**RST-375**


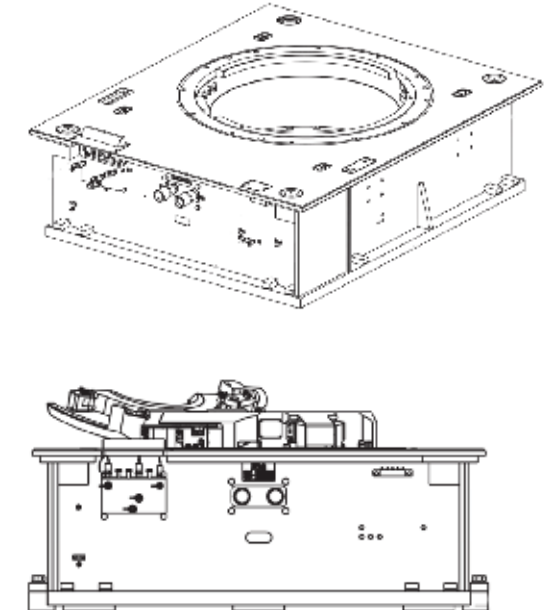
Technical specifications	
Table size	37½"
Actuation	Hydraulic
Control system	Automatic remote controlled (control panel)
Dimension L x W x H	89" x 61.75" x 28.2"
Weight (depends on size topcover)	Appr. 14,102 lbs
Load rating (static)	750 sTon
Torque max	30,000 ft.lbs
Max. back-up torque	80,000 ft.lbs
Speed max (intermittent)	15 RPM
Max. operational speed (continously)	5 RPM
Max. working pressure	3,000 psi (hydraulic)
Max. flow rate	75 gpm
Ambient temperature range	-4°F up to 131°F (-20°C up to 55°C)
Required crew to operate	1
Manpower interfering	No
Interlocking	Yes
Control station	Yes
PS compatibility	PS21
Greasing	Automated and manual
Flushing kit	Yes / flushing PS
API	7K
CE	Yes
ATEX	Yes
IECEX	Yes
DSB	Yes

**RST-495**


Technical specifications	
Table size	49½"
Actuation	Hydraulic
Control system	Automatic remote controlled (control panel)
Dimension L x W x H	105" x 82" x 30.42"
Weight (depends on size topcover)	Appr. 22,175 lbs
Load rating (static)	1,000 sTon
Torque max	45,000 ft.lbs
Max. back-up torque	120,000 ft.lbs
Speed max (intermittent)	15 RPM
Max. operational speed (continously)	5 RPM
Max. working pressure	3,000 psi (hydraulic)
Max. flow rate	115 gpm
Ambient temperature range	-4°F up to 131°F (-20°C up to 55°C)
Required crew to operate	1
Manpower interfering	No
Interlocking	Yes
Control station	Yes
PS compatibility	PS21/30/495
Greasing	Automated and manual
Flushing kit	Yes / flushing PS
API	7K
CE	Yes
ATEX	Yes
IECEX	Yes
DSB	Yes

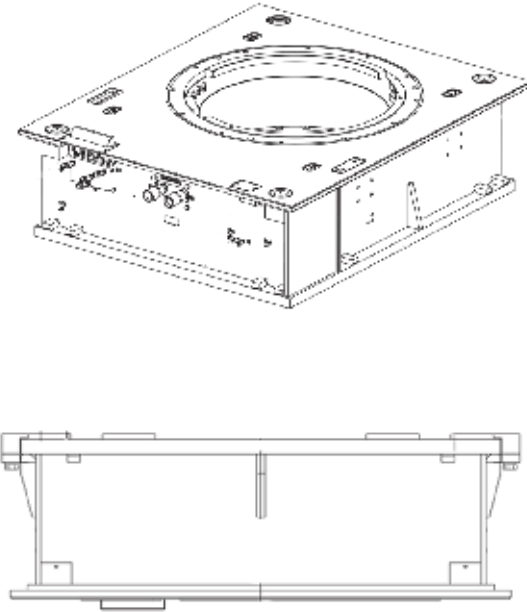
**RST-495-F**


Technical specifications	
Table size	49½"
Actuation	Hydraulic
Control system	Automatic remote controlled (control panel)
Dimension L x W x H	105" x 82" x 30.42"
Weight (depends on size topcover)	Appr. 19,550 lbs
Load rating (static)	1,000 sTon
Torque max	N/A
Max. back-up torque	120,000 ft.lbs
Speed max (intermittent)	15 RPM (externally driven)
Max. operational speed (continously)	N/A
Max. working pressure	3,000 psi (hydraulic)
Max. flow rate	10 gpm
Ambient temperature range	-4°F up to 131°F (-20°C up to 55°C)
Required crew to operate	1
Manpower interfering	No
Interlocking	Yes
Control station	Yes
PS compatibility	PS21/30/495
Greasing	Automated and manual
Flushing kit	Yes / flushing
API	7K
CE	Yes
ATEX	Yes
IECEX	Yes
DSB	Yes

**RST-495-H**


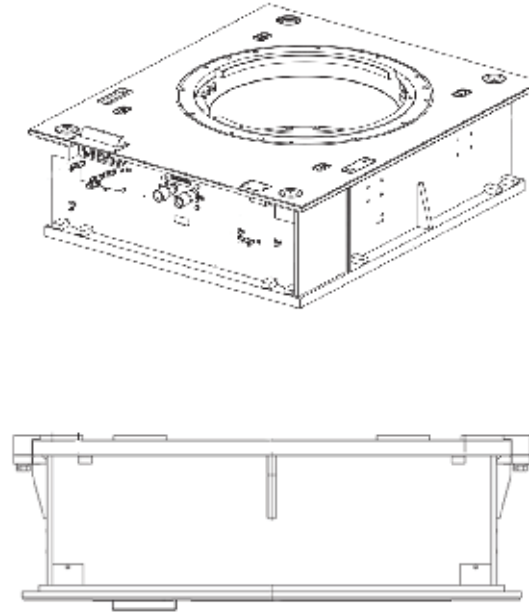
Technical specifications	
Table size	49½"
Actuation	Hydraulic
Control system	Automatic remote controlled (control panel)
Dimension L x W x H	105" x 82" x 31.2"
Weight (depends on size topcover)	Appr. 23,880 lbs
Load rating (static)	1,250 sTon
Torque max	45,000 ft.lbs
Max. back-up torque	120,000 ft.lbs
Speed max (intermittent)	15 RPM
Max. operational speed (continously)	5 RPM
Max. working pressure	3,000 psi (hydraulic)
Max. flow rate	115 gpm
Ambient temperature range	-4°F up to 131°F (-20°C up to 55°C)
Required crew to operate	1
Manpower interfering	No
Interlocking	Yes
Control station	Yes
PS compatibility	PS21/30/495
Greasing	Automated and manual
Flushing kit	Yes / flushing
API	7K
CE	Yes
ATEX	Yes
IECEX	Yes
DSB	Yes

**RST-605**



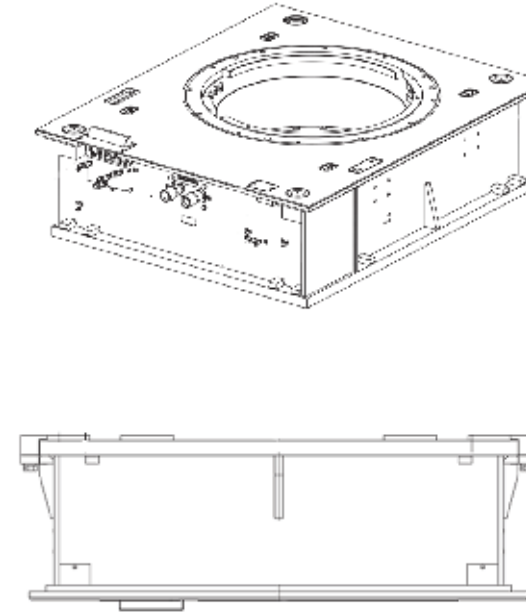
Technical specifications	
Table size	60½"
Actuation	Hydraulic
Control system	Automatic remote controlled (control panel)
Dimension L x W x H	114" x 95" x 30.42"
Weight (depends on size topcover)	Appr. 25,527 lbs
Load rating (static)	1,000 sTon
Torque max	45,000 ft.lbs
Max. back-up torque	120,000 ft.lbs
Speed max (intermittent)	15 RPM
Max. operational speed (continously)	5 RPM
Max. working pressure	3,000 psi (hydraulic)
Max. flow rate	115 gpm
Ambient temperature range	-4°F up to 131°F (-20°C up to 55°C)
Required crew to operate	1
Manpower interfering	No
Interlocking	Yes
Control station	Yes
PS compatibility	PS21/30/495
Greasing	Automated and manual
Flushing kit	Yes / flushing PS
API	7K
CE	Yes
ATEX	Yes
IECEX	Yes
DSB	Yes

**RST-605-F**



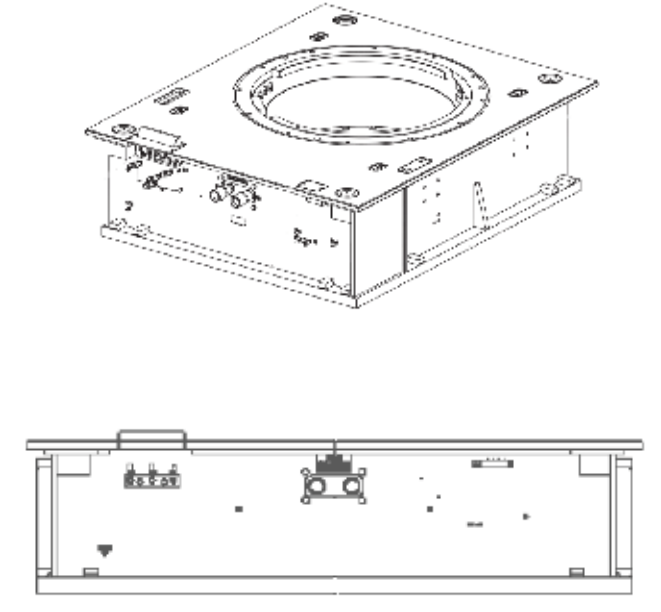
Technical specifications	
Table size	60½"
Actuation	Hydraulic
Control system	Automatic remote controlled (control panel)
Dimension L x W x H	114" x 95" x 30.42"
Weight (depends on size topcover)	Appr. 22,610 lbs
Load rating (static)	1,000 sTon
Torque max	N/A
Max. back-up torque	120,000 ft.lbs
Speed max (intermittent)	15 RPM
Max. operational speed (continously)	N/A
Max. working pressure	3,000 psi (hydraulic)
Max. flow rate	10 gpm
Ambient temperature range	-4°F up to 131°F (-20°C up to 55°C)
Required crew to operate	1
Manpower interfering	No
Interlocking	Yes
Control station	Yes
PS compatibility	PS21/30/495
Greasing	Automated and manual
Flushing kit	Yes / flushing PS
API	7K
CE	Yes
ATEX	Yes
IECEX	Yes
DSB	Yes

**RST-605-H**



Technical specifications	
Table size	60½"
Actuation	Hydraulic
Control system	Automatic remote controlled (control panel)
Dimension L x W x H	114" x 95" x 31.2"
Weight (depends on size topcover)	Appr. 27,730 lbs
Load rating (static)	1,375 sTon
Torque max	45,000 ft.lbs
Max. back-up torque	120,000 ft.lbs
Speed max (intermittent)	15 RPM (externally driven)
Max. operational speed (continously)	5 RPM
Max. working pressure	3,000 psi (hydraulic)
Max. flow rate	115 gpm
Ambient temperature range	-4°F up to 131°F (-20°C up to 55°C)
Required crew to operate	1
Manpower interfering	No
Interlocking	Yes
Control station	Yes
PS compatibility	PS21/30/495
Greasing	Automated and manual
Flushing kit	Yes / flushing
API	7K
CE	Yes
ATEX	Yes
IECEX	Yes
DSB	Yes

**RST-755**



Technical specifications	
Table size	75½"
Actuation	Hydraulic
Control system	Automatic remote controlled (control panel)
Dimension L x W x H	132.75" x 114" x 31.21"
Weight (depends on size topcover)	Appr. 32,906 lbs
Load rating (static)	1,375 sTon
Torque max	45,000 ft.lbs
Max. back-up torque	120,000 ft.lbs
Speed max (intermittent)	15 RPM
Max. operational speed (continously)	5 RPM
Max. working pressure	3,000 psi (hydraulic)
Max. flow rate	115 gpm
Ambient temperature range	-4°F up to 131°F (-20°C up to 55°C)
Required crew to operate	1
Manpower interfering	No
Interlocking	Yes
Control station	Yes
PS compatibility	PS21/30/495
Greasing	Automated and manual
Flushing kit	Yes / flushing
API	7K
CE	Yes
ATEX	Yes
IECEX	Yes
DSB	Yes