

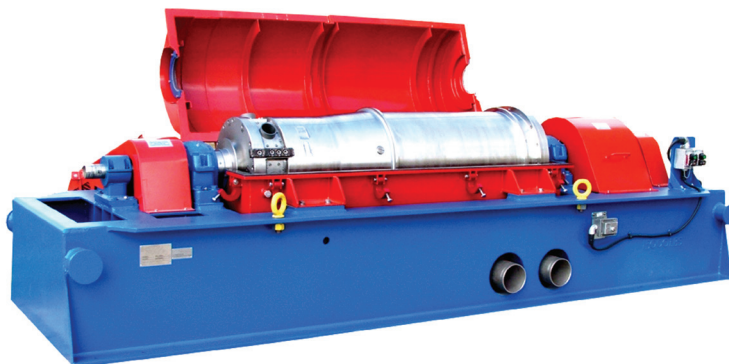
FUSING HIGH EFFICIENCY AND COMPACT DESIGN FOR MAXIMUM PERFORMANCE AND EFFORTLESS OPERATION

Centrifuges are used to process unweighted and weighted, water-based and oil-based drilling fluids (muds). The HS-2172L centrifuge uses high G-forces to separate fine solids from liquid.

The HS-2172L centrifuge is fed from the solids end of the conveyor. Mud is introduced into the feed chamber of the HS-2172L through a feed tube and, with the aid of a concave accelerator, exits through twelve (12) nozzles into the bowl.

The HS-2172L is equipped with variable frequency drive (VFD) control, which provides a controlled application of motor drive power to the centrifuge components (bowl, conveyor and feed pump). Customized hardware and software packages can be designed to meet specific installation and operational requirements.

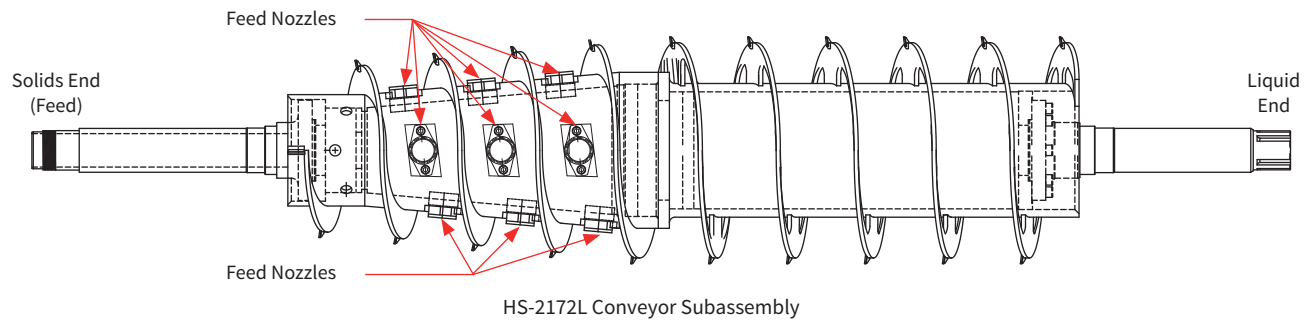
With a processing capacity of up to 550 gal/min (2082 L/min), the HS-2172 series centrifuge is able to quickly process high volumes of mud while allowing prescribed



mud weights and separation efficiencies to be maintained. This enables the HS-2172 series centrifuge to produce fine cut points at higher flow rates, making it ideal for high-flow applications and critical-conditions solids control. Contact your NOV sales representative for more information.

FEATURES	BENEFITS
550 gal/min (2082 L/min) maximum processing capacity (water)	High processing capacity for utilization in high-flow drilling applications and conditions
75:1 ratio planetary gearbox	Provides for a reduced motor size
Fluid fed from solids end	Provides a short feed tube with less vibration
Variable frequency drive (VFD) control	Permits easy adjustment of bowl, conveyor and feed pump speeds for varying process conditions and provides torque overload protection
Bowl and heads forged of stainless steel	Provides corrosion resistance for long life, smooth operation and low maintenance
Stainless steel case	Offers high strength and corrosion resistance
Entire scroll fitted with tungsten carbide tiles	Offers abrasion resistance for maximum operational life and low maintenance
Flush connections	Aids in cleaning excess material from inside the case
Case gaskets	Contains process materials within the case
Vibration switch shut-off mechanism	Automatically disables operation in situations of high vibration
Stainless steel rotating assembly	Provides corrosion resistance for long life, smooth operation and low maintenance
Split-case cover	Facilitates easy access for inspection and maintenance
Spherical roller and cylindrical roller main bearings	Offers long life and low maintenance
Sturdy I-beam skid	Supplies a solid foundation for smooth operation and long bearing life
Dual 6 in (152 mm) effluent discharge pipes with optional bottom discharge	Allows for high-capacity processing
Five (5) epicentric orifices	Enables easy adjustment of pond depth

BRANDT™ HS-2172 Centrifuge



Nominal Specifications and Dimensions

GENERAL	HS-2172L
Length	174 in (4420 mm)
Width	83.75 in (2127 mm)
Height	47.3 in (1201 mm)
Weight "Dry"	15,500 lb (7031 kg)
Bowl Diameter	21 in (533 mm)
Bowl Length	72 in (1829 mm)
Maximum Bowl Speed	3000 RPM
Typical Bowl Speed	2400 RPM
Maximum Processing Capacity	550 gal/min (2082 L/min)
Drive Type	Variable Frequency Drive (VFD)
Maximum G-force	2684
ROTATING ASSEMBLY	
Conveyor Pitch	7 in (178 mm)
Conveyor Type	Single
Feed Chamber Discharge Type	12 Nozzles
Gearbox Type	Planetary
Gearbox Ratio	75:1
POWER REQUIREMENTS	
Main Drive Motor	150 hp (112 kW)
Back Drive Motor	40 hp (30 kW)
Voltage*	460 VAC
* Optional 380, 480, and 575 VAC also available	