

Universal Wellhead

Designed to economically convert to several forms of artificial lift methods throughout the well lifecycle, thus maximizing production potential while eliminating costly and timely traditional conversion efforts. Offset frac ready, the Universal Wellhead offers the ability to monitor pressures at various sample points within the body (depending on what artificial lift method is in progress at the time). Our customers call it the “one and done” wellhead because it doesn’t need to be replaced.

Features

- High pressure design — available in 5,000 and 10,000 psi
- Consistent flow line height
- Allows for offsite flowline fabrication with uniform (x,y) coordinates
- Integral master valves
- Multifunctional tubing hanger design
- Integrated BPV profile
- Custom configurations available
- Greaseable pin rams

Benefits

- Switch between artificial lift methods with one wellhead
- Ability to have “cookie cutter” wellhead piping for all wells
- Faster installs getting new wells on production
- Eliminates two days of lost production while converting wells over
- Safer – eliminates the need for additional manpower to visit wellsites, thus exposing them to chemicals and wellhead fluids
- Welded piping can be UT’d to monitor sand erosion
- Eliminates tall wellhead operational challenges
- Less than 30"

Applications

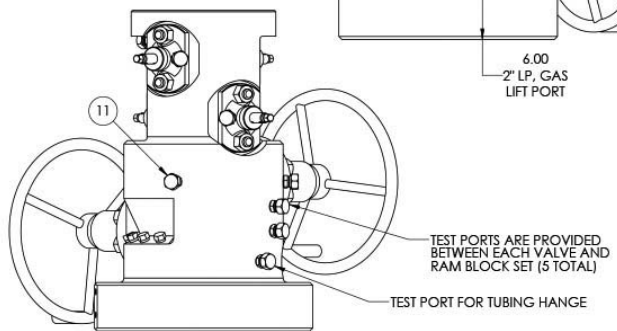
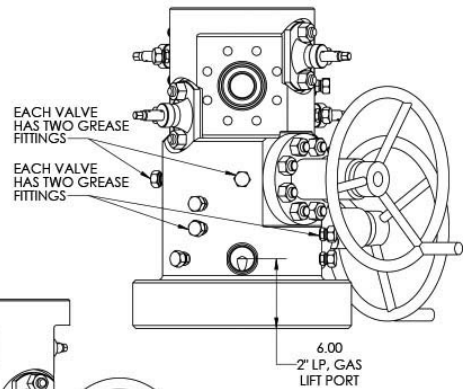
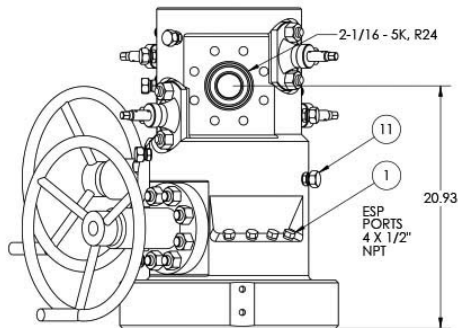
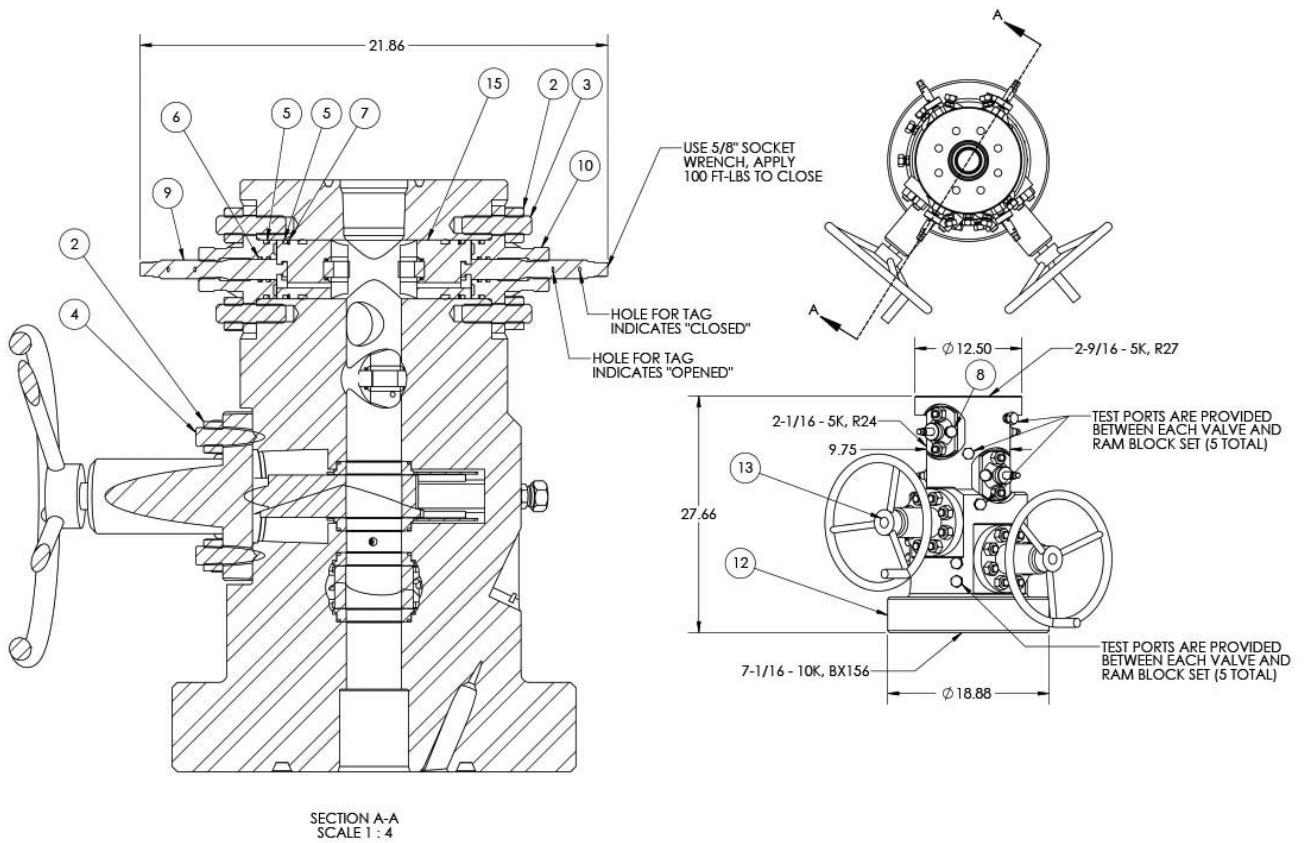
- Initial flow
- ESP
- Rod lift
- Gas lift
- Jet pump
- Plunger lift
- PCP

Configurations

- Single or dual master valves
- With or without integrated rod lock (vertical and rotational)
- Single or dual pin ram blocks



Universal Wellhead



ITEM NO.	PART NUMBER	DESCRIPTION	QTY.
1	100055	0.5" NPT PLUG, 10,000 PSI, SS	4
2	100198	NUT, HHEX 7/8 - 9 UNC, 2HM, ZN PL	24
3	100199	STUD, 7/8-9 UNC, 3.25 LONG, L7M, ZN PL	8
4	100200	STUD, 7/8-9 UNC, 3.50 LNG, L7M, ZN PL	16
5	100216	O-RING, -332, HSN-80	8
6	100217	O-RING, -213, HSN-80	8
7	100272	BACK UP RING, -332, NITRILE 90 DURO	4
8	100278	GREASE FITTING, VENTED CAP, GRM PN FB200520	4
9	100294	RAM ROD, W/ GREASE PORT, 0.875-6 STUB ACME	4
10	100338	RETAINER PLATE, PLATE B.O.P. W/ 45° GREASE PORT, 0.875-6 STUB ACME	4
11	100456	GREASE FITTING, VENTED CAP, 1/2" NPT, SS, NACE, (GRM PN FB400520)	10
12	100491	BODY, FLUMPER, 2-7/8 -5K, ESP, GLIFT, 2XMST VLV, 2X SRB	1
13	100492	VLV KIT, INTERNALS, WEDGE GATE, 2-9/19-5K, MC: DD-ni, TEMP: L, PSL-2, PR-1	2
15	100521	RAM BLOCK W/ BU RING, 5000, HSN, PHOSPHATE	4