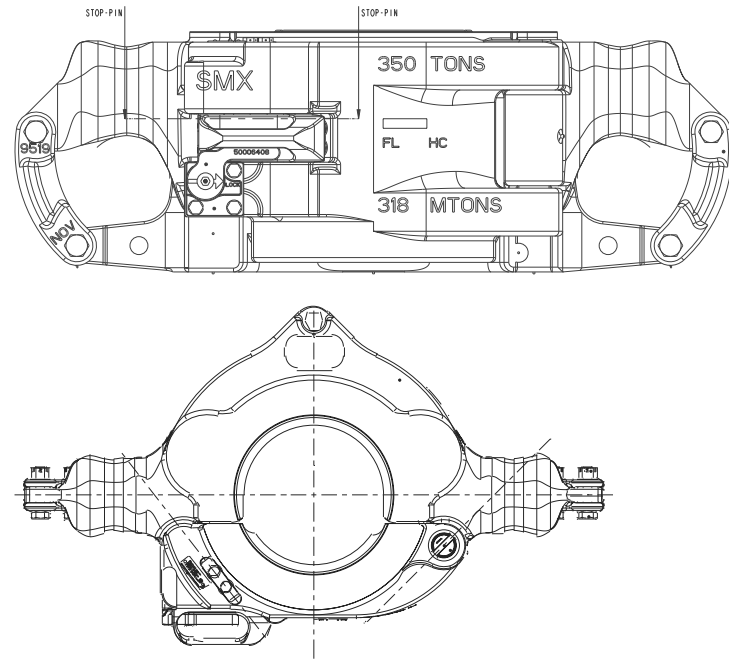




## SMX

The X-series elevators handle all sizes of collar-type tubing, drill pipe and casing. The SMX has a patented latch & lock arrangement mounted on the elevator door. The handle protects the latch from accidental opening. Both latched operate from a single handle.

- 8C qualified
- For handling collar type casing, collary type tubing, and drill collars
- Tool is fit for manual operation
- Lock and unlock one-hand operation
- Latching/locking by closing door
- Latched and locked verification; separate action and incorporated in design
- Round ears for easy rotating in links
- Easy to rig up
- Hinge up bushings
- Lower link ears are 8C rated for 5 ton slings
- Handling grup on elevator back for easy handling
- Handling handle for link mount is available (part number 50006435); (optional; can also be used for other applications)
- SMX series (8 frames) replaces SLX, SSD and SX type elevators (15 frames)

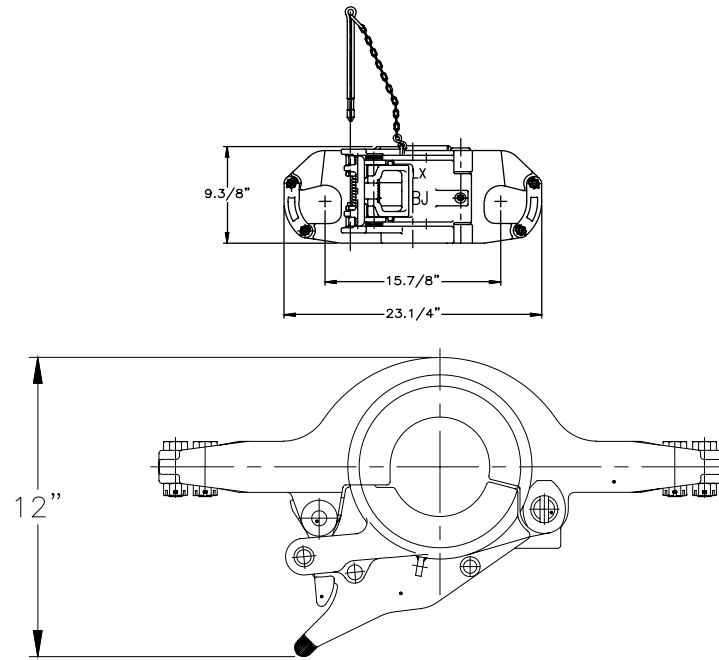


Technical Specifications				
Load Rating	Size inches (mm)	Max. Weight lbs. (kg)	Link Size Min. In. (mm)	Link Size Max. In. (mm)
150 / 136	3.1/2 - 5.3/4 (88.9-146.1)	278 (126)	2.1/4 (57)	2.3/4(70)
250 / 227	6 - 13 (152.4-330.2)	563 (255)	2.1/4(57)	3.1/2(89)
350 / 318	9- 13.3/8(228.6- 339.7)	563 (255)	2.1/4(57)	3.1/2(89)
250 / 227	13.1/2 - 17.7/8(342.9-454.1)	679 (308)	2.1/4(57)	3.1/2(89)
250 / 227	18 - 24.1/2 (457.2-622.3)	902 (409)	2.1/4(57)	3.1/2(89)

## SLX

The X-series elevators handle all sizes of collar-type tubing, drill pipe and casing. The SMX has a patented latch & lock arrangement mounted on the elevator door. The handle protects the latch from accidental opening. Both latched operate from a single handle.

- 8C qualified
- For handling collar type casing, collary type tubing, and drill collars
- Tool is fit for manual operation
- Lock and unlock one-hand operation
- Latching/locking by closing door
- Latched and locked verification; separate action and incorporated in design
- Round ears for easy rotating in links
- Easy to rig up
- Hinge up bushings
- Lower link ears are 8C rated for 5 ton slings
- Handling grup on elevator back for easy handling
- Handling handle for link mount is available (part number 50006435); (optional; can also be used for other applications)
- SMX series (8 frames) replaces SLX, SSD and SX type elevators (15 frames)

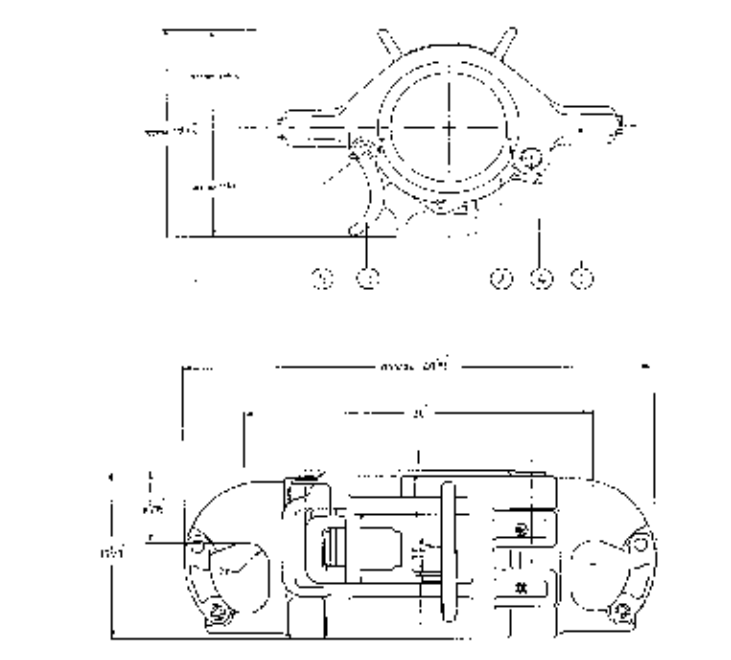


Technical Specifications				
Load Rating	Size inches (mm)	Max. Weight lbs. (kg)	Link Size Min. In. (mm)	Link Size Max. In. (mm)
65/59	1.66 - 3.1/8 (42.2-79.4)	50 (23)	1.3/4 (44)	2.1/4 (57)
100/90	2.3/8- 6 (60.3-152.4)	145 (66)	1.3/4 (44)	2.3/4(70)
150 / 136	5.1/2 - 18.5/8 (139.7-473.1)	705 (320)	1.3/4 (44)	3.1/2 (89)
250 / 227	21.1/2-24.1/2 (546.1-622.3)	1208 (548)	1.3/4 (44)	3.1/2 (89)

## SX

The X-series elevators handle all sizes of collar-type tubing, drill pipe and casing. The SMX has a patented latch & lock arrangement mounted on the elevator door. The handle protects the latch from accidental opening. Both latched operate from a single handle.

- 8C qualified
- For handling collar type casing, collary type tubing, and drill collars
- Tool is fit for manual operation
- Lock and unlock one-hand operation
- Latching/locking by closing door
- Latched and locked verification; separate action and incorporated in design
- Round ears for easy rotating in links
- Easy to rig up
- Hinge up bushings
- Lower link ears are 8C rated for 5 ton slings
- Handling grup on elevator back for easy handling
- Handling handle for link mount is available (part number 50006435); (optional; can also be used for other applications)
- SMX series (8 frames) replaces SLX, SSD and SX type elevators (15 frames)

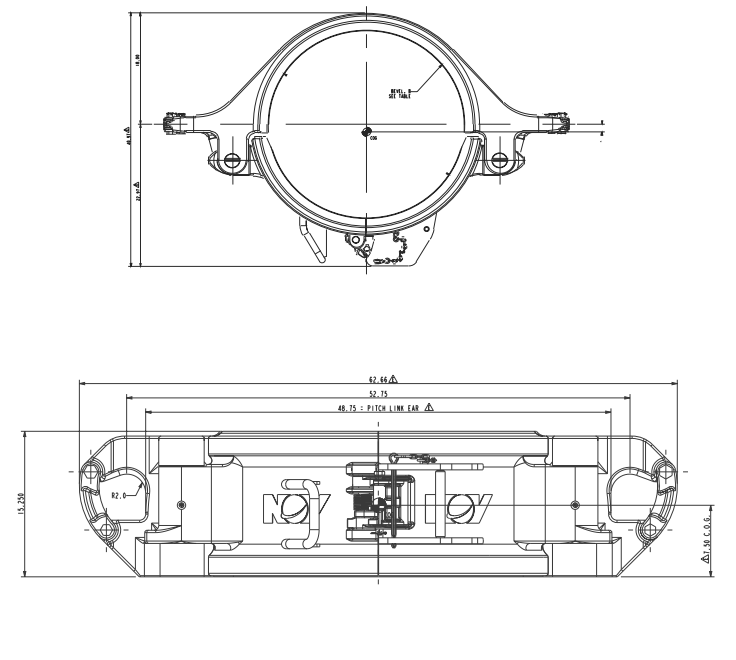


Technical Specifications				
Load Rating	Size inches (mm)	Max. Weight lbs. (kg)	Link Size min in. (mm)	Link Size Max. in. (mm)
350/317	9.5/8- 16.3/4 (244.5-425.5)	1200 (544)	2.1/4(57)	3.1/2 (89)
500/454	9.5/8-13.5/8 (244.5-346.1)	1235(560)	2.3/4(70)	3.1/2(89)

## SLX-DD

The X-series elevators handle all sizes of collar-type tubing, drill pipe and casing. The SMX has a patented latch & lock arrangement mounted on the elevator door. The handle protects the latch from accidental opening. Both latched operate from a single handle.

- 8C qualified
- For handling collar type casing, collary type tubing, and drill collars
- Tool is fit for manual operation
- Lock and unlock one-hand operation
- Latching/locking by closing door
- Latched and locked verification; separate action and incorporated in design
- Round ears for easy rotating in links
- Easy to rig up
- Hinge up bushings
- Lower link ears are 8C rated for 5 ton slings
- Handling grup on elevator back for easy handling
- Handling handle for link mount is available (part number 50006435); (optional; can also be used for other applications)
- SMX series (8 frames) replaces SLX, SSD and SX type elevators (15 frames)



Technical Specifications				
Load Rating	Size inches (mm)	Max. Weight lbs. (kg)	Link Size min in. (mm)	Link Size Max. in. (mm)
220/225	18-30 (457.2-792)	1820 (826)	1.3/4(44)	3.1/2 (89)