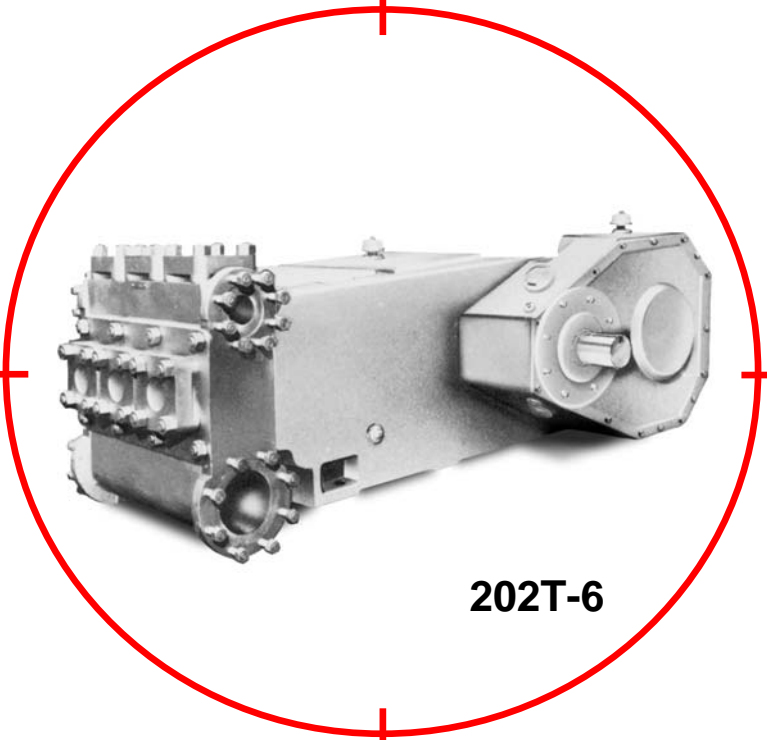
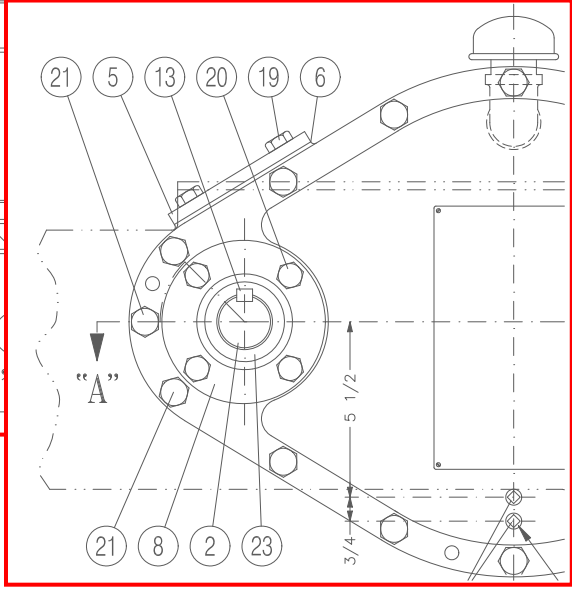
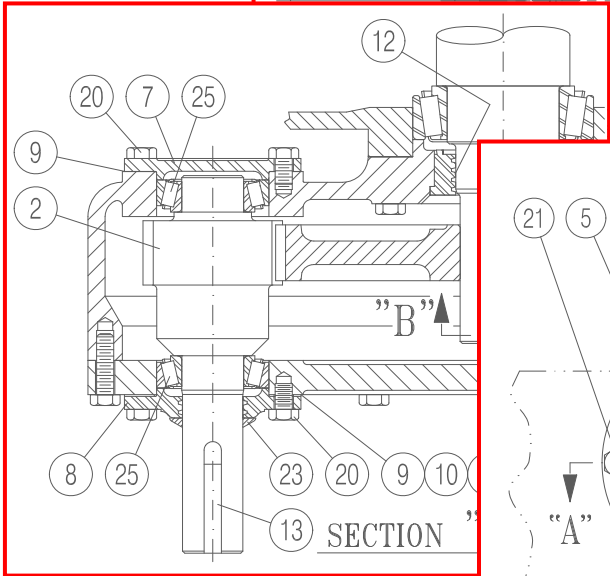
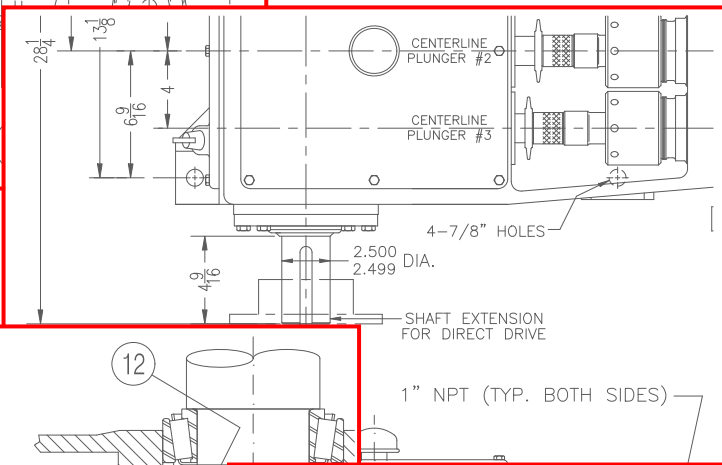
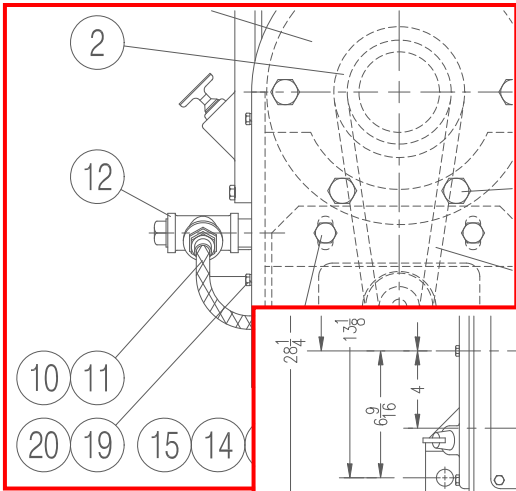


202T-6L Triplex Plunger Pump

Parts List



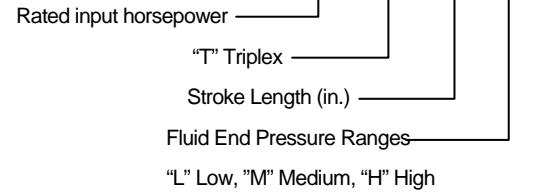
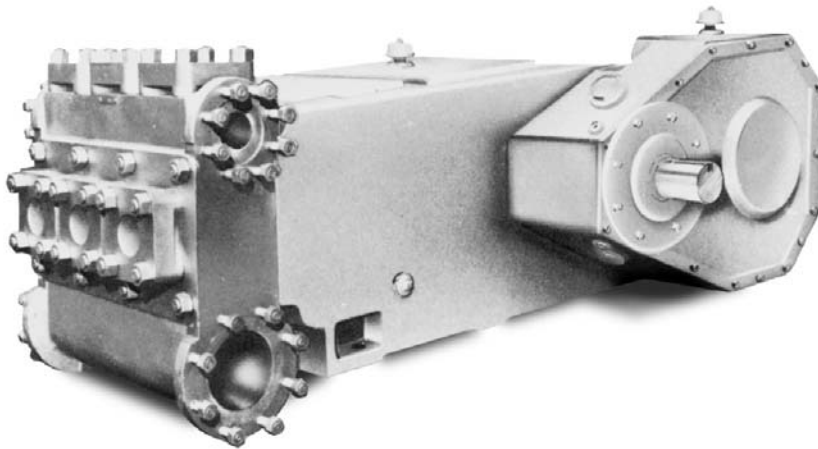
202T-6



**Types:
202T-6L**

Sales / Technical Information

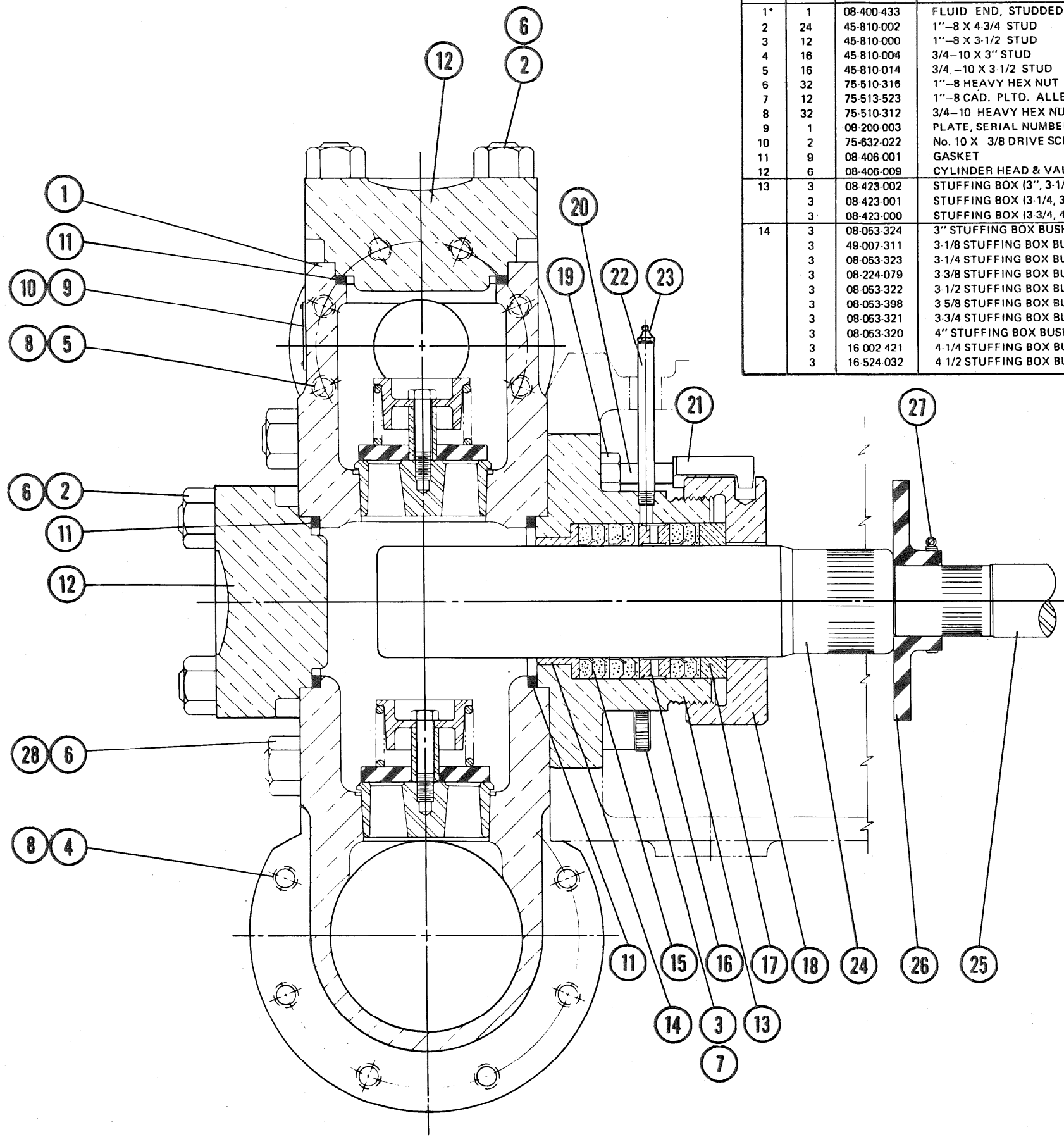
USA Tollfree: 1 (800) 324-4706
 Phone: 1 (918) 447-4600
 Fax: 1 (918) 447-4677
 Internet: <http://www.nov.com>



Index and Check List:

PAGE	DWG. NUMBER	DESCRIPTION	SERIES OF ISSUE	DATE OF ISSUE
1	P220-AA1	FLUID END ASSEMBLY	SECOND	10-1-88
2	GSK-5757P	VALVE SERVICE ASSEMBLY	SECOND	10-1-88
3	P213-AE1	POWER END ASSEMBLY	SECOND	10-1-88
4	P115-AM1	DIAPHRAGM ASSEMBLY	SECOND	10-1-88
5	P213-AH1	GEAR REDUCTION UNIT ASSEMBLY	FIRST	10-1-88
6	P150-AD1	LUBRICATOR ASSEMBLY	SECOND	10-1-88
7	P220-2	OUTLINE DRAWING LESS GEAR	SECOND	10-1-88
8	P220-A2	OUTLINE DRAWING WITH GEAR	SECOND	10-1-88

Revisions effective April 4, 2008 – updated phone number on cover and last page; updated logo on all pages.



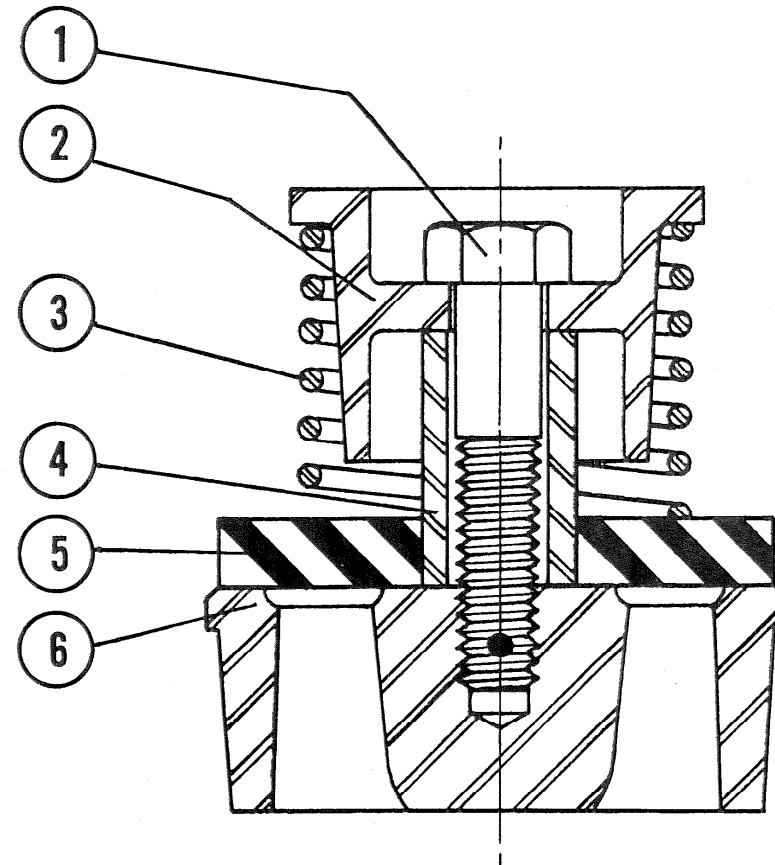
BILL OF MATERIAL			
ITEM	REQ'D	COMM NO	DESCRIPTION
1*	1	08-400-433	FLUID END, STUDDED*
2	24	45-810-002	1"-8 X 4-3/4 STUD
3	12	45-810-000	1"-8 X 3-1/2 STUD
4	16	45-810-004	3/4-10 X 3" STUD
5	16	45-810-014	3/4-10 X 3-1/2 STUD
6	32	75-510-316	1"-8 HEAVY HEX NUT
7	12	75-513-523	1"-8 CAD. PLTD. ALLENUT
8	32	75-510-312	3/4-10 HEAVY HEX NUT
9	1	08-200-003	PLATE, SERIAL NUMBER
10	2	75-832-022	No. 10 X 3/8 DRIVE SCREW
11	9	08-406-001	GASKET
12	6	08-406-009	CYLINDER HEAD & VALVE COVER
13	3	08-423-002	STUFFING BOX (3", 3-1/8 PLUNGERS)
	3	08-423-001	STUFFING BOX (3-1/4, 3-1/2, 3-3/8 & 3-5/8 PLUNGERS)
	3	08-423-000	STUFFING BOX (3-3/4, 4", 4-1/4 & 4-1/2 PLUNGERS)
14	3	08-053-324	3" STUFFING BOX BUSHING
	3	49-007-311	3-1/8 STUFFING BOX BUSHING
	3	08-053-323	3-1/4 STUFFING BOX BUSHING
	3	08-224-079	3-3/8 STUFFING BOX BUSHING
	3	08-053-322	3-1/2 STUFFING BOX BUSHING
	3	08-053-398	3-5/8 STUFFING BOX BUSHING
	3	08-053-321	3-3/4 STUFFING BOX BUSHING
	3	08-053-320	4" STUFFING BOX BUSHING
	3	16-002-421	4-1/4 STUFFING BOX BUSHING
	3	16-524-032	4-1/2 STUFFING BOX BUSHING

BILL OF MATERIAL			
ITEM	REQ'D	COMM NO	DESCRIPTION
15	3	08-215-044	3" PACKING SET (STYLE 838)
	3	08-415-050	3-1/8 PACKING SET (STYLE 838)
	3	08-215-045	3-1/4 PACKING SET (STYLE 838)
	3	16-515-018	3-3/8 PACKING SET (STYLE 838)
	3	08-215-047	3-1/2 PACKING SET (STYLE 838)
	3	08-215-169	3-5/8 PACKING SET (STYLE 838)
	3	08-215-049	3-3/4 PACKING SET (STYLE 838)
	3	08-215-050	4" PACKING SET (STYLE 838)
	3	08-215-051	4-1/4 PACKING SET (STYLE 838)
	3	08-415-013	4-1/2 PACKING SET (STYLE 838)
16	3	08-053-308	3" LANTERN RING
	3	08-211-135	3-1/8 LANTERN RING
	3	08-053-307	3-1/4 LANTERN RING
	3	08-211-124	3-3/8 LANTERN RING
	3	08-053-306	3-1/2 LANTERN RING
	3	08-053-399	3-5/8 LANTERN RING
	3	08-053-305	3-3/4 LANTERN RING
	3	08-053-304	4" LANTERN RING
	3	16-001-121	4-1/4 LANTERN RING
	3	16-511-033	4-1/2 LANTERN RING
17	3	08-053-292	3" GLAND FOLLOWER
	3	08-226-278	3-1/8 GLAND FOLLOWER
	3	08-053-291	3-1/4 GLAND FOLLOWER
	3	08-226-254	3-3/8 GLAND FOLLOWER
	3	08-053-290	3-1/2 GLAND FOLLOWER
	3	08-053-400	3-5/8 GLAND FOLLOWER
	3	08-053-289	3-3/4 GLAND FOLLOWER
	3	08-053-288	4" GLAND FOLLOWER
	3	16-002-621	4-1/4 GLAND FOLLOWER
	3	16-526-032	4-1/2 GLAND FOLLOWER
18	3	08-425-002	STUFFING BOX GLAND (3", 3-1/8 PLUNGERS)
	3	08-425-001	STUFFING BOX GLAND (3-1/4, 3-3/8, 3-1/2 & 3-5/8 PLUNGERS)
	3	08-425-000	STUFFING BOX GLAND (3-3/4, 4" & 4-1/4 PLUNGERS)
	3	08-425-011	STUFFING BOX GLAND (4-1/2 PLUNGER)
19	3	75-510-310	5/8-11 HEAVY HEX NUT
20	3	75-634-368	5/8-11 X 4" HEX HD HT CAPSCREW
21	2	08-425-008	PAWL, GLAND
22	3	08-804-121	1/4 X 6" SCH 40 GREASE NIPPLE
23	3	64-016-115	1/8 HYD GREASE FITTING
24	3	08-412-027	3" CO-HARD PLUNGER
	3	08-412-126	3-1/8 CO-HARD PLUNGER
	3	08-412-028	3-1/4 CO-HARD PLUNGER
	3	08-412-169	3-3/8 CO-HARD PLUNGER
	3	08-412-029	3-1/2 CO-HARD PLUNGER
	3	08-412-136	3-5/8 CO-HARD PLUNGER
	3	08-412-030	3-3/4 CO-HARD PLUNGER
	3	08-412-031	4" CO-HARD PLUNGER
	3	08-412-032	4-1/4 CO-HARD PLUNGER
	3	08-412-046	4-1/2 CO-HARD PLUNGER
	3	08-412-097	3" CERAMIC PLUNGER
	3	08-400-425	3-1/8 CERAMIC PLUNGER
	3	08-412-098	3-1/4 CERAMIC PLUNGER
	3	08-412-100	3-1/2 CERAMIC PLUNGER
	3	08-400-426	3-5/8 CERAMIC PLUNGER
	3	08-412-101	3-3/4 CERAMIC PLUNGER
	3	08-412-102	4" CERAMIC PLUNGER
	3	08-412-103	4-1/4 CERAMIC PLUNGER
	3	08-412-104	4-1/2 CERAMIC PLUNGER
25	3	08-441-026	ROD, PLUNGER EXTENSION
26	3	08-441-027	BAFFLE, FLUID
27	3	99-094-087	CLAMP
28	8	45-810-016	1"-8 X 10-1/2 STUD

* INCLUDES ITEMS 2, 3, 4, 5, 7 & 8 ALSO 24 OF ITEM 6.

NATIONAL OILWELL VARCO			
HOUSTON, TEXAS U.S.A.		ENGINEERING, McALESTER, OKLAHOMA	
TITLE FLUID END ASSEMBLY 202T-6I TRIPLEX PLUNGER PUMP			
SIZE B	REFERENCE No.	DRAWING No. P220-AA1	REV
SCALE NONE	EST WT	SHEET 1 OF 1	

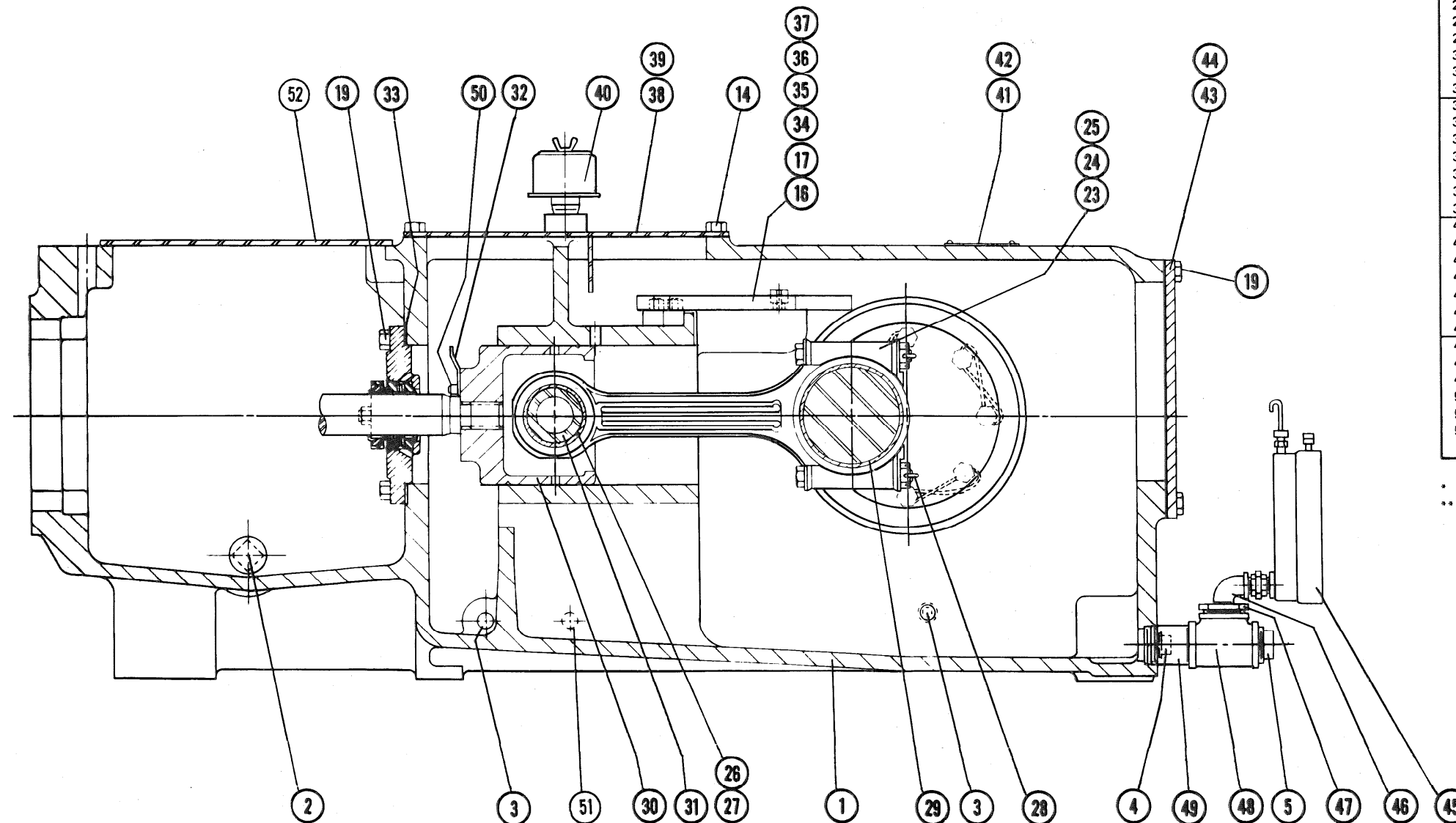
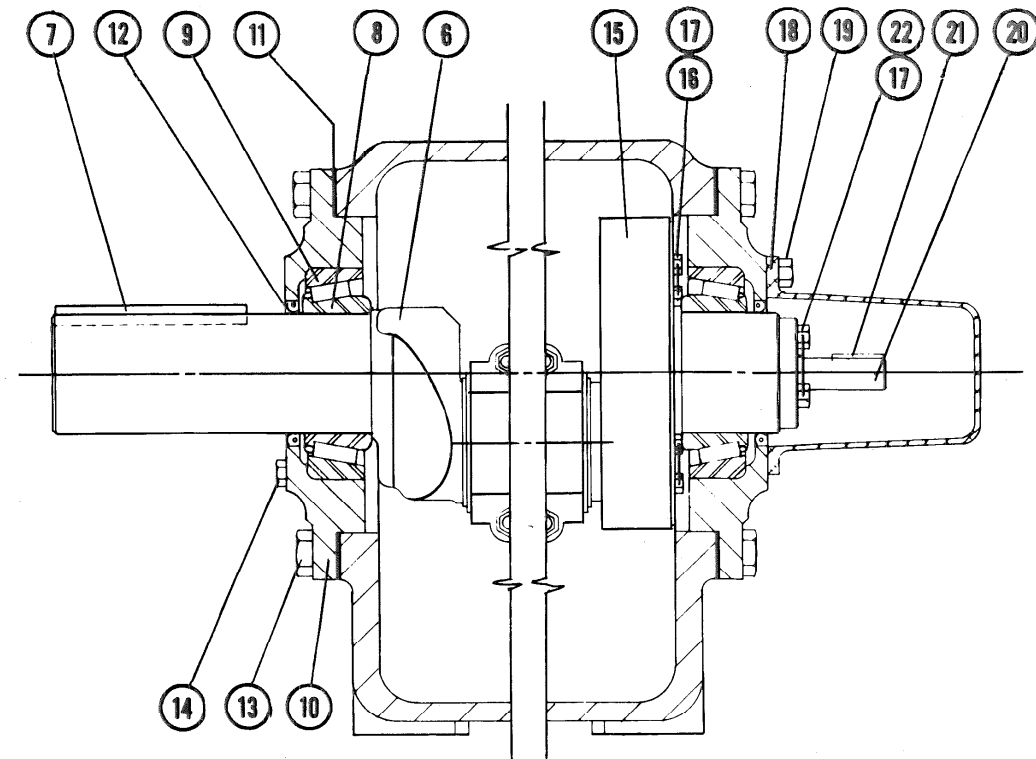
BILL OF MATERIAL			
ITEM	REQ'D.	COMM. NO.	DESCRIPTION
-	6	08-496-269	VALVE ASSEMBLY COMPLETE
1	6	08-422-021	1/2 - 13 X 2-1/2 NYLOK CAPSCREW (MONEL)
2	6	08-416-091	VALVE GUARD (S.S.)
3	6	08-416-089	VALVE SPRING (INCONEL)
4	6	08-416-053	VALVE SLEEVE (S.S.)
5	6	08-416-078	VALVE DISC (DELRIN)
6	6	08-422-050	VALVE SEAT (S.S.)



**FK-P4
SIZE 400
F/ 3" TO 4-1/2 PLUNGER RANGE**

2

NATIONAL OILWELL VARCO			
HOUSTON, TEXAS U.S.A.		ENGINEERING, McALESTER, OKLAHOMA	
TITLE VALVE SERVICE ASSEMBLY 202T-6L TRIPLEX PLUNGER PUMP			
SIZE B	REFERENCE No.	DRAWING No. GSK-5757P	REV
SCALE NONE	EST WT	SHEET 1 OF 1	



BILL OF MATERIAL			
ITEM	REQ'D	COMM NO	DESCRIPTION
1	1	08 804 034	POWER END (INCL. ITEM 2,3,4 &51)
2	2	86 486 116	2" C.I. SOLID SQ HD PIPE PLUG
3	3	86 485 508	1" C.I. SOLID SQ HD PIPE PLUG
4	2	86 486 106	3/4 C.I. SOLID SQ HD PIPE PLUG
5	1	86 485 512	1-1/2 C.I. SOLID SQ HD PIPE PLUG
6	1	08 804 006	CRANKSHAFT
7	1	45 802 849	KEY (3/4 X 1" X 7-1/2)
8	2	65 011 530	BEARING CONE
9	2	65 014 008	BEARING CUP
10	2	08 804 009	HOUSING, BEARING
11*		08 804 017	SHIM SET (2 REQ'D) CONSISTS OF THE FOLLOWING *
	12	08 804 018	SHIM (.005" THK.)
	10	08 804 019	SHIM (.007" THK.)
	6	08 804 020	SHIM (.020" THK.)
12	2	68 630 575	OIL SEAL
13	16	75 634 400	7/8-9 X 2" HEX HD HT CAPSCREW
14	19	75 634 415	1/2-13 X 3/4 HEX HD HT CAPSCREW
15	1	08 442 003	OIL RING
16	10	45 143 001	1/2-13 X 3/4 DRDL HEX HD HT CAPSCREW
17		59 800 016	16 GA ANNEALED STL WIRE
18	1	08 727 008	COVER, SHAFT
19	31	75 634 351	1/2-13 X 1-1/4 HEX HD HT CAPSCREW
20	1	08 442 004	SHAFT, STUB
21	1	45 802 752	KEY (1/4 X 1/4 X 2-1/8)
22	3	45 143 500	5/8-11 DRDL HEX HD HT CAPSCREW
23	3	08 804 007	CONNECTING ROD (INCL. ITEMS 24, 25 & 26)
24	6	08 804 008	5/8-18 X 5-7/8 CONNECTING ROD BOLT
25	6	75 513 109	5/8-18 SLOTTED HEX NUT
26	3	08 804 002	BUSHING, CROSSHEAD PIN
27	6	75 660 003	RETAINING RING
28	6	75 102 005	1/8 X 1-1/2 STL COTTER
29	3	08 804 003	BEARING (TWO HALVES), CRANKPIN
30	3	08 804 032	CROSSHEAD
31	3	08 017 706	PIN, CROSSHEAD
32	3	08 412 170	PLATE, CROSSHEAD BAFFLE
33	3	08 466 001	GASKET
34	1	08 804 004	SCRAPER (L.H.), OIL
35	1	08 804 005	SCRAPER (R.H.), OIL
36	2	08 800 283	PIN
37	2	99 000 525	MAGNET
38	1	08 427 049	COVER, TOP FRAME
39	1	08 427 050	GASKET, TOP FRAME COVER
40	1	64 229 100	1-1/2 AIR BREATHER
41	1	10 300 240	PLATE, OIL SPECIFICATION
42	4	75 632 012	No. 2 X 1/4 TYPE U CAD PLTD. STL DRIVE SCREW
43	1	08 017 008	PLATE, (OILWELL) FRAME END
44	1	08 017 024	GASKET, FRAME END
45	1	64 661 271	SAFETY SWITCH
46	1	86 342 104	1/2 X 90° 150#BLK MI STREET ELBOW
47	1	86 061 025	1-1/2 X 1/2 C.I. STD BLK HEX PIPE BUSHING
48	1	86 543 112	1-1/2 150#MI PIPE TEE
49	1	86 428 010	1-1/2 X 3" SCH 80 BW STL PIPE NIPPLE
50	6	75 635 623	1/2-13 X 3/4 SKT HD HT SELF-LOCKING CAPSCREW
51	2	86 486 464	1" COUNTERSUNK PIPE PLUG
52	1	08 804 118	COVER (STEEL), CRADLE
	1	08 804 119	COVER (PLEXIGLASS), CRADLE**

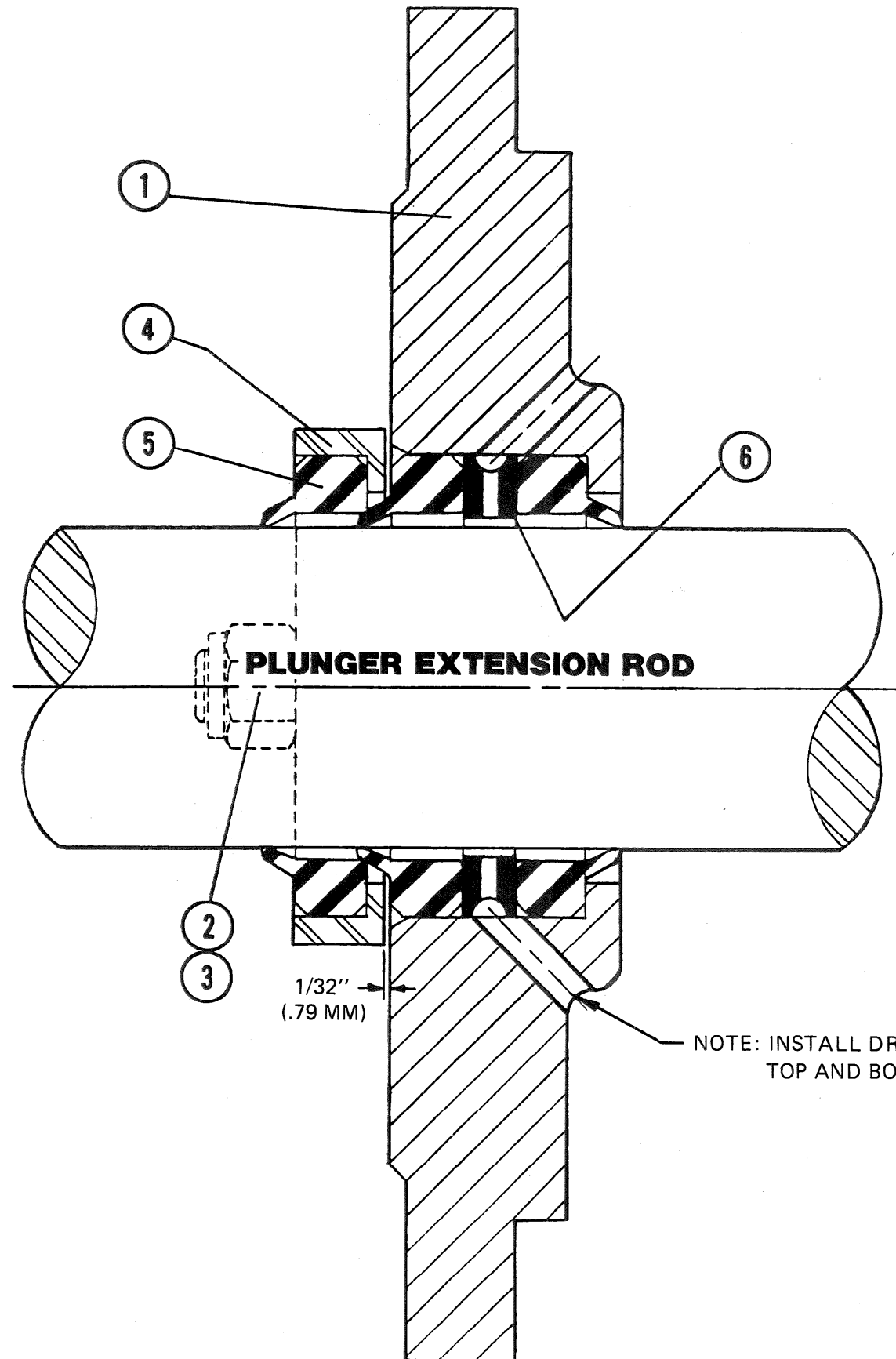
* ONE SET REQUIRED WHEN GEAR REDUCER IS FURNISHED.
 ** OPTIONAL

NATIONAL OILWELL VARCO
 HOUSTON, TEXAS U.S.A. ENGINEERING, McALESTER, OKLAHOMA

TITLE: POWER END ASSEMBLY
 202T-6L TRIPLEX PLUNGER PUMP

SIZE: B REFERENCE No. DRAWING No. P213-AE1 REV

SCALE: NONE EST WT SHEET 1 OF 1

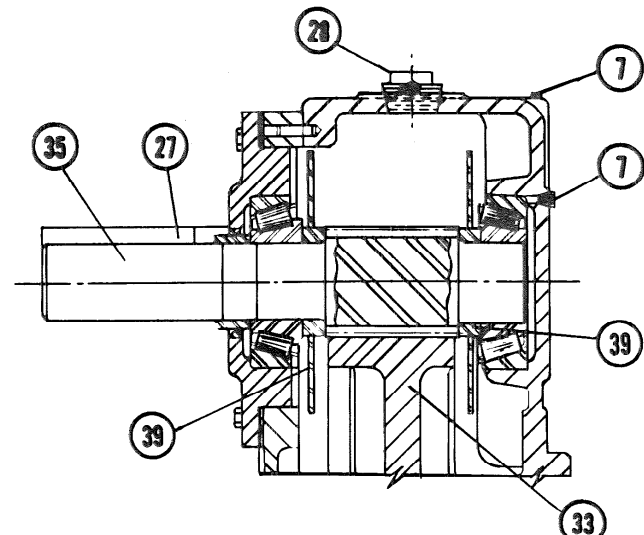


BILL OF MATERIAL			
ITEM	REQ'D	COMM NO	DESCRIPTION
1	3	08-466-010	DIAPHRAGM HOUSING (INCL. ITEMS 2 & 3)
2	6	75-509-994	1/2-13 HEX STL LOCKNUT
3	6	49-002-925	1/2-13 X 2" STUD
4	3	08-467-006	GLAND, DIAPHRAGM
5	9	08-466-012	WIPER, ROD
6	3	08-411-016	RING, LANTERN

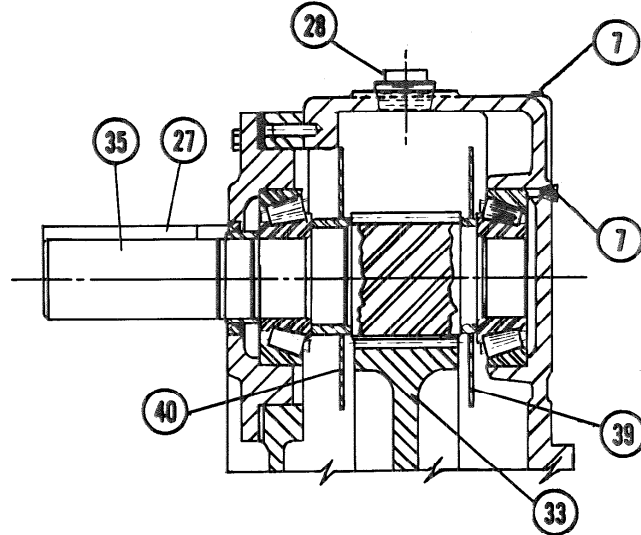
4

NOTE: INSTALL DRAIN HOLES
TOP AND BOTTOM.

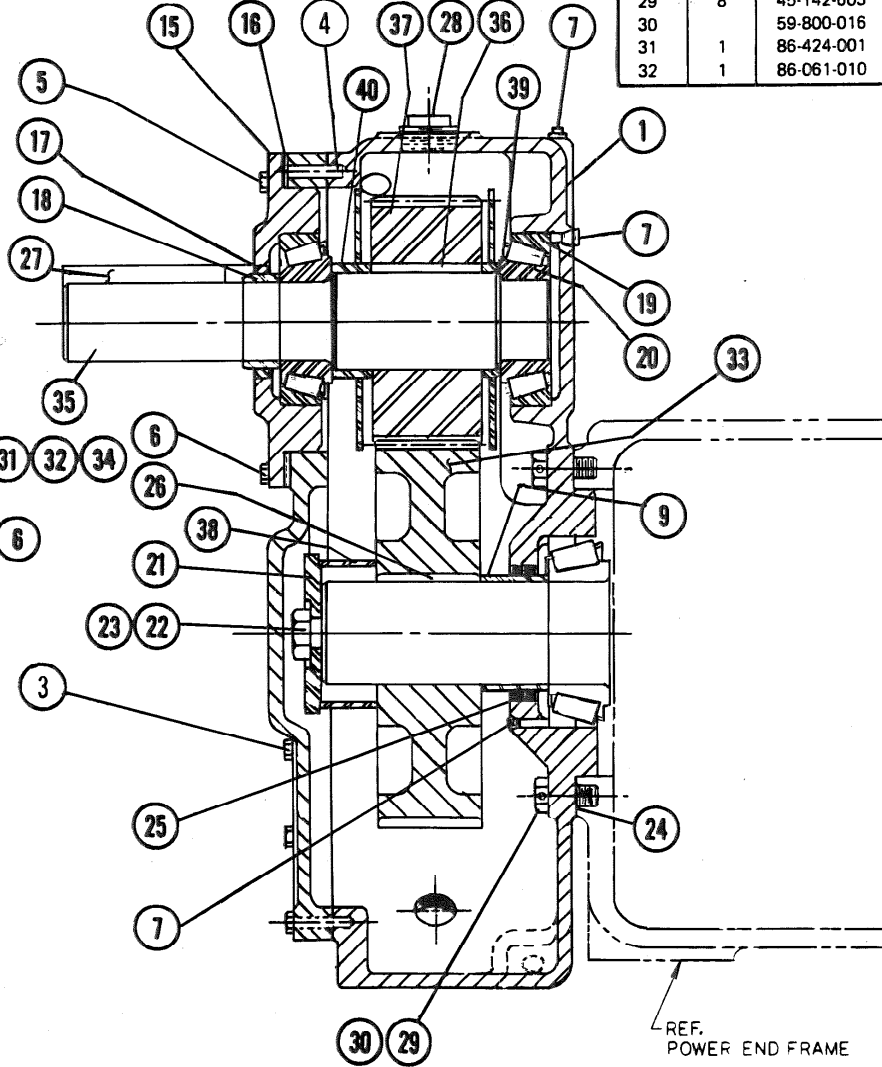
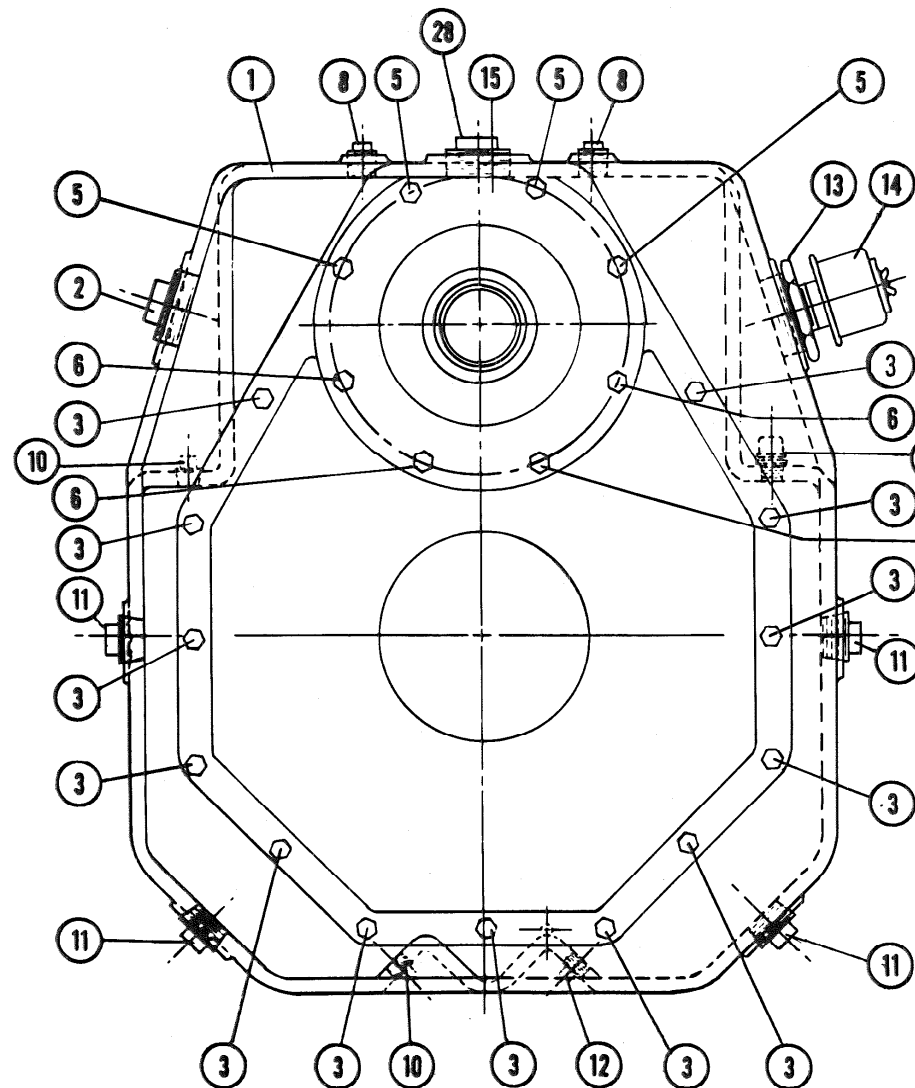
<small>HOUSTON, TEXAS U.S.A. ENGINEERING, McALESTER, OKLAHOMA</small>	
TITLE DIAPHRAGM ASSEMBLY 202T-6L TRIPLEX PLUNGER PUMP	
SIZE B	REFERENCE No. P115-AM1
SCALE NONE	EST WT SHEET 1 OF 1



5.476:1 GEAR REDUCTION RATIO



4.440:1 GEAR REDUCTION RATIO



BILL OF MATERIAL			
ITEM	REQ'D	COMM NO	DESCRIPTION
1	1	08-804-092	GEAR CASE (INCL. ITEMS 2, 3, 4 & 7)
2	1	86-486-124	3" C.I. SOLID SQ HD PIPE PLUG
3	13	75-635-043	1/2-13 X 2-1/4 HEX HD HT CAPSCREW
4	2	45-804-110	1/2 X 1-7/8 DOWEL PIN
5	4	75-634-326	1/2-13 X 3-1/4 HEX HD HT CAPSCREW
6	4	75-634-352	1/2-13 X 1-1/2 HEX HD HT CAPSCREW
7	10	86-486-456	1/4 COUNTERSUNK PIPE PLUG
8	2	86-486-108	1" C.I. SOLID SQ HD PIPE PLUG
9	1	08-804-105	SPACER, GEAR
10	4	86-485-506	3/4 C.I. SOLID SQ HD PIPE PLUG
11	4	86-485-512	1-1/2 C.I. SOLID SQ HD PIPE PLUG
12	1	16-527-136	MAGNET ASSEMBLY
13	1	86-061-050	3" X 1-1/2 CI STD BLK HEX PIPE BUSHING
14	1	64-229-100	1-1/2 AIR BREATHER
15	1	08-804-011	HOUSING, PINION BEARING
16	6	08-804-013	SHIM SET (1 REQ'D) CONSISTS OF THE FOLLOWING
	5	08-804-014	SHIM (.005" THK)
	3	08-804-015	SHIM (.007" THK)
		08-804-016	SHIM (.020" THK)
17	1	68-630-507	OIL SEAL
18	1	08-804-021	RING, OIL SEAL WEAR
19	2	65-013-228	CUP, BEARING
20	2	65-010-521	CONE, BEARING
21	1	08-802-026	PLATE, RETAINER
22	1	75-635-178	1-1/4 - 8 X 2" HEX HD HT CAPSCREW
23	1	75-770-480	1-1/4 EXT SHAKEPROOF LOCKWASHER
24	1	45-804-236	GASKET
25	2	68-630-665	OIL SEAL
26	1	45-804-194	KEY (1" X 3/4 X 6-1/4)
27	1	45-122-603	KEY (7/8 X 7/8 X 6-1/2)
28	1	86-486-120	2-1/2 C.I. SOLID SQ HEAD PIPE PLUG
29	8	45-142-603	7/8-9 X 2" DRLD HEX HD HT CAPSCREW
30	1	59-800-016	16 GA ANNEALED STL WIRE
31	1	86-424-001	1/2 X CLOSE SCH 40 BW STL PIPE NIPPLE
32	1	86-061-010	3/4 X 1/2 C.I. STD BLK HEX PIPE BUSHING

1.588:1 GEAR REDUCTION RATIO			
33	1	08-275-000	GEAR (81 TEETH)
34	1	06-109-009	GAUGE, OIL
35	1	08-804-023	SHAFT, PINION
36	1	45-802-738	KEY (1/2 X 3/4 X 4-1/2)
37	1	08-804-026	PINION (51 TEETH)
38	1	08-804-106	SPACER
39	1	08-804-094	SPACER
40	1	08-804-095	SPACER

1.775:1 GEAR REDUCTION RATIO			
33	1	08-018-052	GEAR (87 TEETH)
34	1	06-109-009	GAUGE, OIL
35	1	08-804-023	SHAFT, PINION
36	1	45-802-738	KEY (1/2 X 3/4 X 4-1/2)
37	1	45-804-028	PINION (49 TEETH)
38	1	08-804-106	SPACER
39	1	08-804-094	SPACER
40	1	08-804-095	SPACER

2.487:1 GEAR REDUCTION RATIO			
33	1	08-275-004	GEAR (97 TEETH)
34	1	06-009-373	GAUGE, OIL
35	1	08-804-023	SHAFT, PINION
36	1	45-802-738	KEY (1/2 X 3/4 X 4-1/2)
37	1	45-804-027	PINION (39 TEETH)
38	1	08-804-106	SPACER
39	1	08-804-094	SPACER
40	1	08-804-095	SPACER

3.121:1 GEAR REDUCTION RATIO			
33	1	08-017-420	GEAR (103 TEETH)
34	1	06-009-365	GAUGE, OIL
35	1	08-804-023	SHAFT, PINION
36	1	45-802-738	KEY (1/2 X 3/4 X 4-1/2)
37	1	08-804-029	PINION (33 TEETH)
38	1	08-804-106	SPACER
39	1	08-804-094	SPACER
40	1	08-804-095	SPACER

4.440:1 GEAR REDUCTION RATIO			
33	1	08-275-091	GEAR (111 TEETH)
34	1	45-804-280	GAUGE, OIL
35	1	08-804-096	PINION SHAFT W/INTEGRAL PINION (25 TEETH)
38	1	08-804-106	SPACER
39	1	08-804-094	SPACER
40	1	08-804-095	SPACER

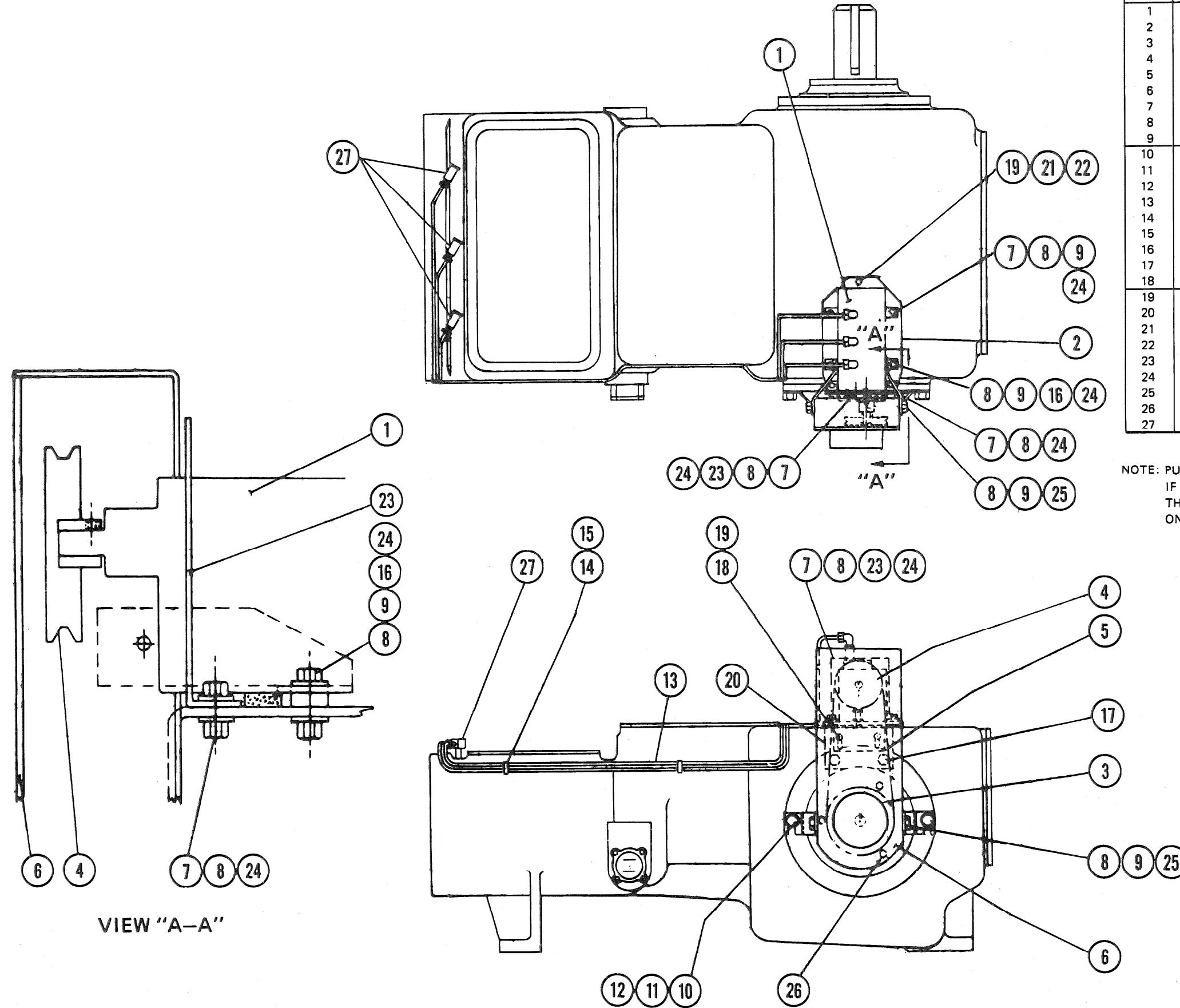
5.476:1 GEAR REDUCTION RATIO			
33	1	08-018-341	GEAR (115 TEETH)
34	1	45-804-280	GAUGE, OIL
35	1	08-804-097	PINION SHAFT W/INTEGRAL PINION (21 TEETH)
38	1	08-804-107	SPACER
39	2	08-804-093	SPACER

NATIONAL OILWELL VARCO
HOUSTON, TEXAS U.S.A. ENGINEERING, McALESTER, OKLAHOMA

TITLE: GEAR REDUCTION UNIT ASSEMBLY
202T-6L TRIPLEX PLUNGER PUMP

SIZE: B REFERENCE No. DRAWING No. P213-AH1 REV

SCALE: NONE EST WT SHEET 1 OF 1



VIEW "A-A"

BILL OF MATERIAL			
ITEM	REQ'D	COMM NO	DESCRIPTION
1	1	08-285-029	3-FEED LUBRICATOR (INCL. ITEM 27)
2	1	08-485-028	PLATE, LUBRICATOR MOUNTING
3	1	68-640-250	6.7 P.D. 1-A SECTION DRIVE SHEAVE
4	1	68-650-431	5" P.D. 1-A SECTION LUBRICATOR SHEAVE
5	1	68-020-048	A-48 V-BELT
6	1	08-485-041	GUARD, LUBRICATOR BELT
7	4	75-633-740	3/8-16 X 1-1/4 HEX HD HT CAPSCREW
8	10	75-770-472	3/8 EXT. SHAKEPROOF LOCKWASHER
9	16	75-770-203	3/8 PLATE WASHER
10	2	75-635-063	7/8-9 X 7/8 HEX HD HT CAPSCREW
11	2	75-770-477	7/8 EXT. SHAKEPROOF LOCKWASHER
12	2	75-770-207	7/8 PLATE WASHER
13		64-699-208	1/4 O.D. COPPER TUBING (.049" THK. WALL)
14	2	64-228-265	TUBING CLIP
15	2	75-634-875	1/4-20 X 1/2 RD. HD MACHINE SCREW
16	2	75-634-342	3/8-16 X 1-1/2 HEX HD HT CAPSCREW
17	2	75-634-403	7/8-9 X 2-1/4 HEX HD HT CAPSCREW
18	2	75-634-351	1/2-13 X 1-1/4 HEX HD HT CAPSCREW
19	4	75-770-204	1/2 PLATE WASHER
20	1	08-485-034	SUPPORT, LUBRICATOR
21	1	75-634-533	1/2-13 X 3" SQ HD CUP POINT SETSCREW
22	2	75-510-506	1/2-13 HEX HD JAM NUT
23	1	08-627-039	COVER, LUBRICATOR
24	6	75-510-404	3/8-16 HEX NUT
25	4	75-634-313	3/8-16 X 3/4 HEX HD HT CAPSCREW
26	3	75-634-415	1/2-13 X 3/4 HEX HD HT CAPSCREW
27	3	64-438-895	1/8 MPT X 1/4 T ANGLE CHECK VALVE

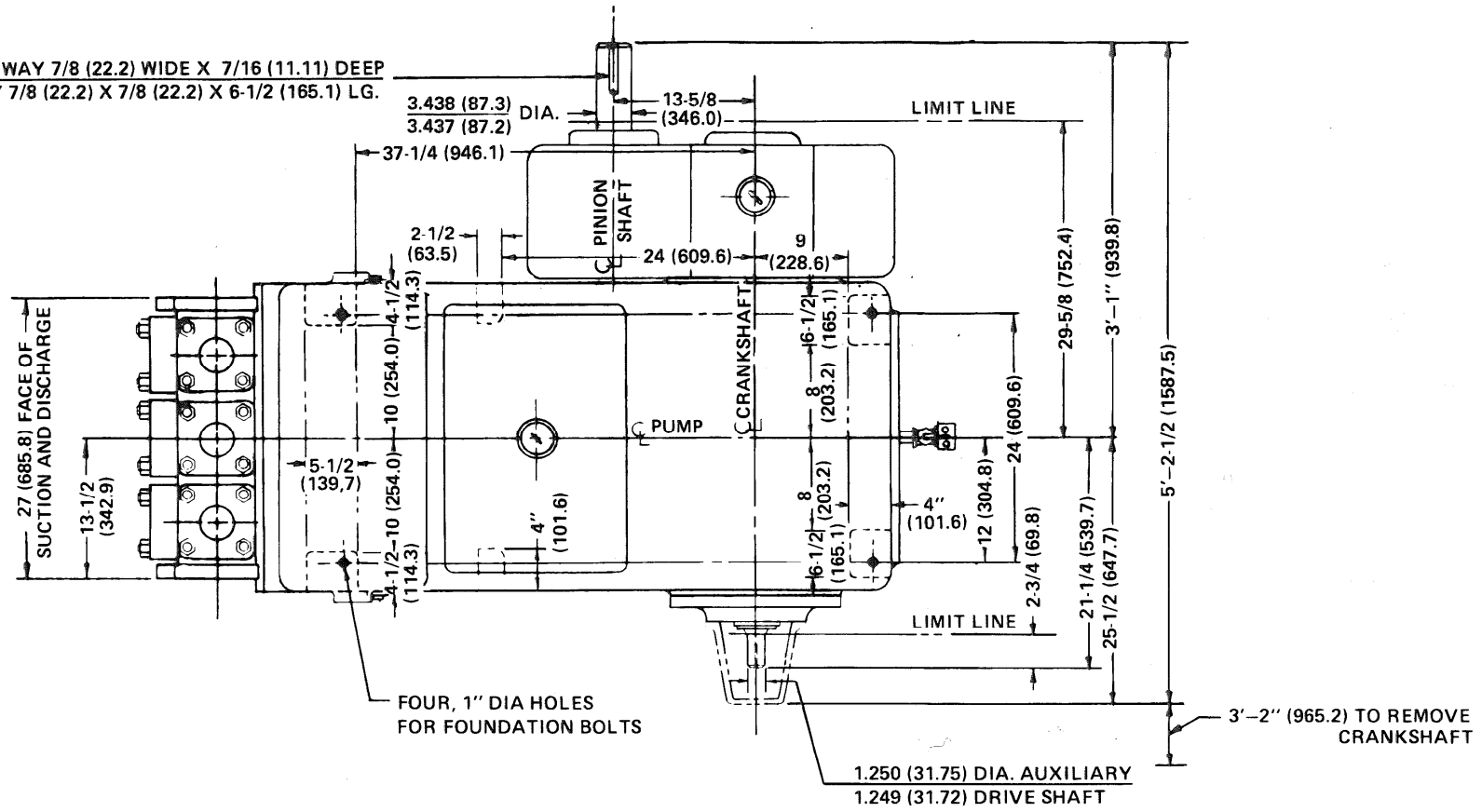
NOTE: PUMP, AS SHOWN, IS FOR RIGHT HAND DRIVE.
 IF A LEFT HAND DRIVE PUMP IS ORDERED
 THEN THE LUBRICATOR WOULD BE MOUNTED
 ON THE OPPOSITE SIDE.

NATIONAL OILWELL VARCO
 HOUSTON, TEXAS U.S.A. ENGINEERING, McALESTER, OKLAHOMA

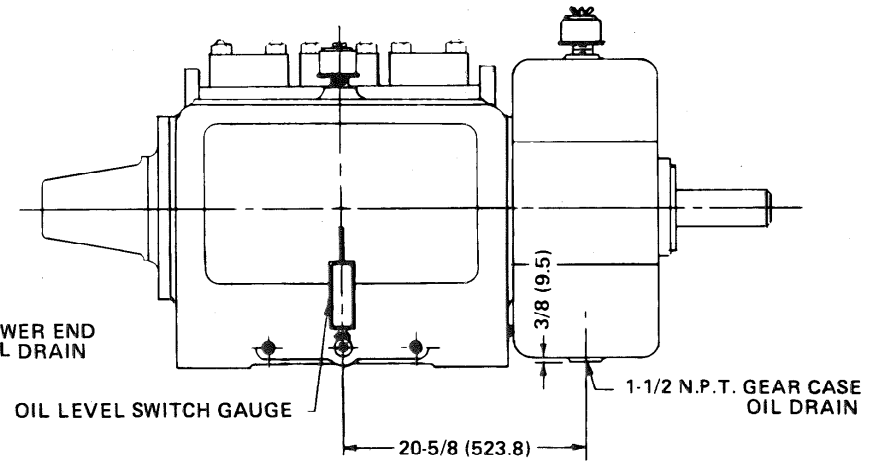
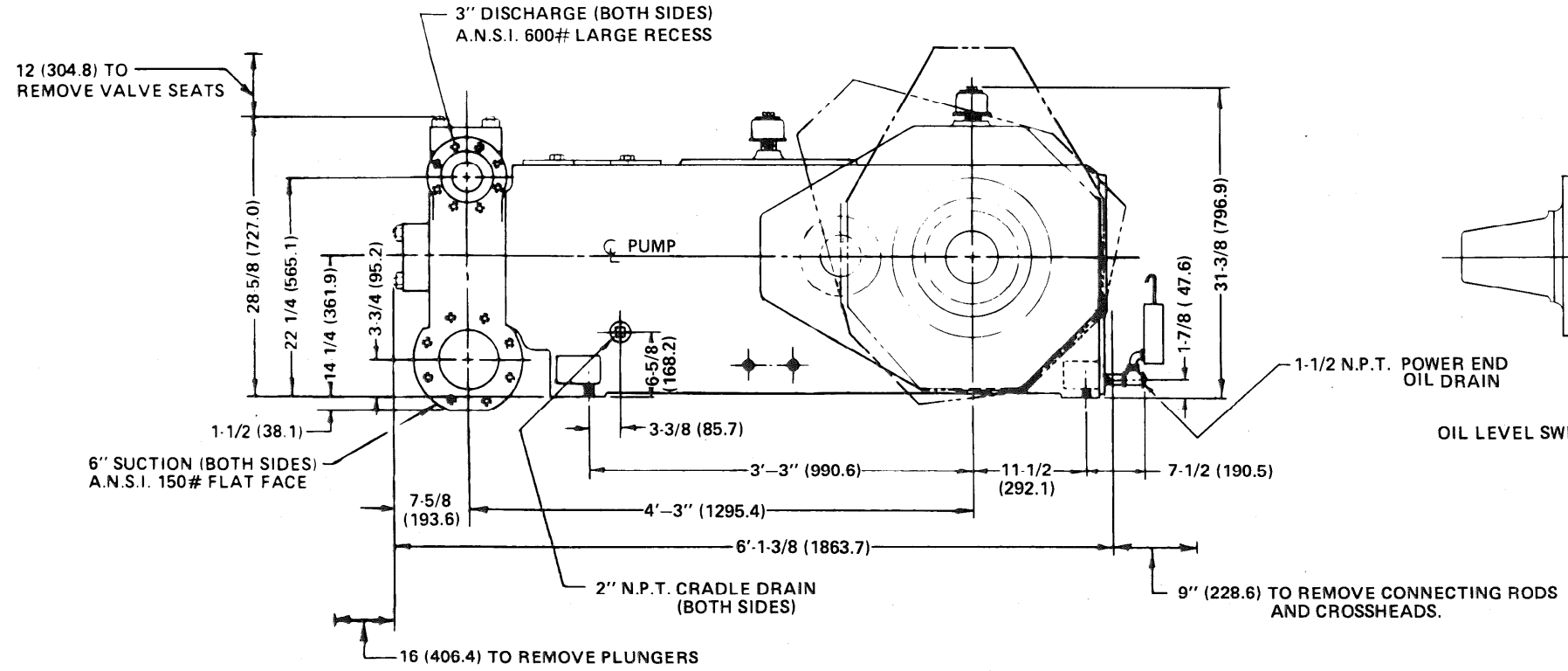
TITLE
 LUBRICATOR ASSEMBLY
 202T-6L TRIPLEX PLUNGER PUMP

SIZE B	REFERENCE No.	DRAWING No. P150-AD1	REV
SCALE NONE	EST WT	SHEET 1 OF 1	

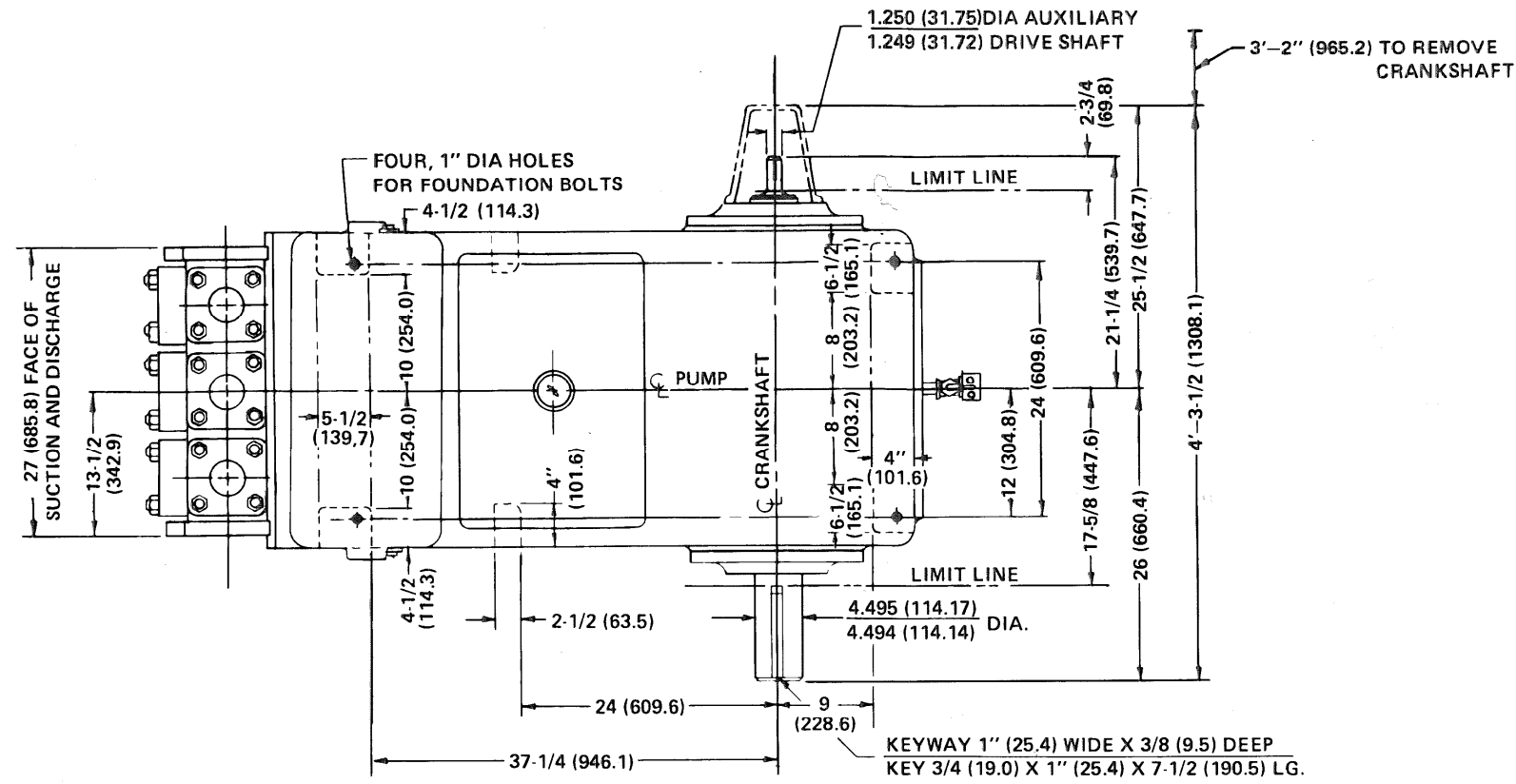
KEYWAY 7/8 (22.2) WIDE X 7/16 (11.11) DEEP
 KEY 7/8 (22.2) X 7/8 (22.2) X 6-1/2 (165.1) LG.



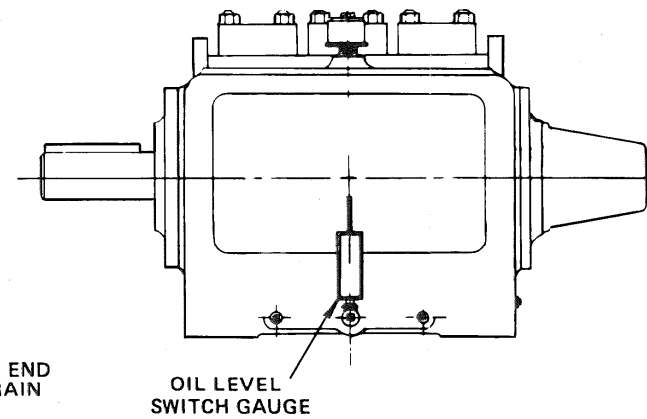
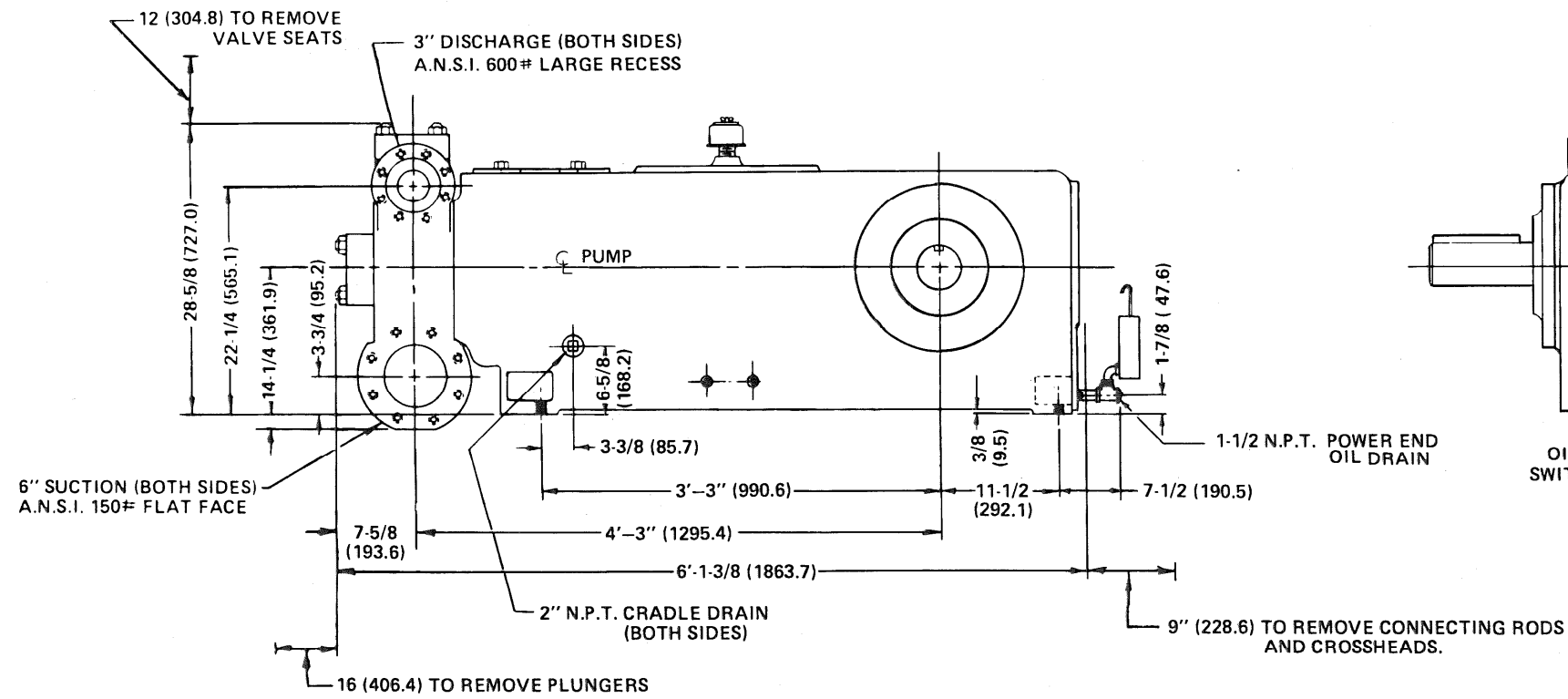
PUMP, AS SHOWN, IS FOR RIGHT HAND DRIVE.
 LEFT HAND DRIVE IS OPPOSITE THAT SHOWN.



NATIONAL OILWELL VARCO			
HOUSTON, TEXAS U.S.A.		ENGINEERING, McALESTER, OKLAHOMA	
TITLE OUTLINE DRAWING WITH GEAR 202T-6L TRIPLEX PLUNGER PUMP			
SIZE B	REFERENCE No.	DRAWING No. P220-A2	REV
SCALE NONE	EST WT	SHEET 1 OF 1	



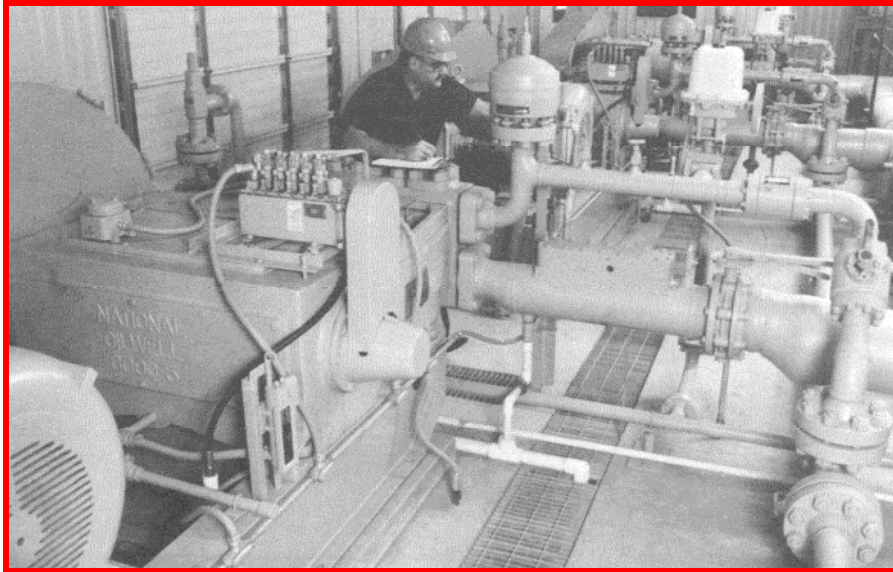
PUMP, AS SHOWN, IS FOR LEFT HAND DRIVE.
RIGHT HAND DRIVE IS OPPOSITE THAT SHOWN.



7

		HOUSTON, TEXAS U.S.A.		ENGINEERING, McALESTER, OKLAHOMA	
		TITLE OUTLINE DRAWING LESS GEAR 202T-6L TRIPLEX PLUNGER PUMP			
SIZE B	REFERENCE No.	DRAWING No. P220-2	REV		
SCALE NONE	EST WT	SHEET 1 OF 1			

NATIONAL OILWELL VARCO



With over 120 locations worldwide, National Oilwell Varco is located near you. To find the nearest Distribution Service Center, machinery center or repair facility, please give us a call at our main office listed below.

Or you can access our website at the URL listed below, where you may search by location or country.

<http://www.nov.com/contactus/>

Sales/Technical Information:
USA Tollfree: 1 (800) 324-4706

Internet: <http://www.nov.com>

National Oilwell Varco is a leading manufacturer of reciprocating plunger pumps, Mission Fluid King centrifugal pumps, and fluid end replacement parts. We also offer a complete set of solutions to your fluid transfer challenges. For more Information, contact National Oilwell Varco directly at the Headquarters in Houston, Texas. All National Oilwell Varco products are available throughout the U.S. and around the world from service centers, authorized distributors, and representatives.

© Copyright 1999 by National Oilwell, L.P. All Rights Reserved. NATIONAL OILWELL, NATIONAL, and OILWELL are registered trademarks of NATIONAL OILWELL, L.P. Houston, Texas, USA. All other trademarks used are registered to their respective companies. The information and data in this brochure, including but not limited to pictures, photographs, charts, diagrams, drawings, lists, written comments, and specifications, are accurate to the best of our knowledge and belief, but are intended for general information only. Applications suggested for the materials and other information are described only to help readers make their own evaluations and decisions, and are neither guarantees nor are they to be construed as express or implied warranties of suitability for these or other applications. National Oilwell makes no warranty, either express or implied, beyond that stipulated in National Oilwell's Standard Terms and Conditions of Sale which are available upon request.