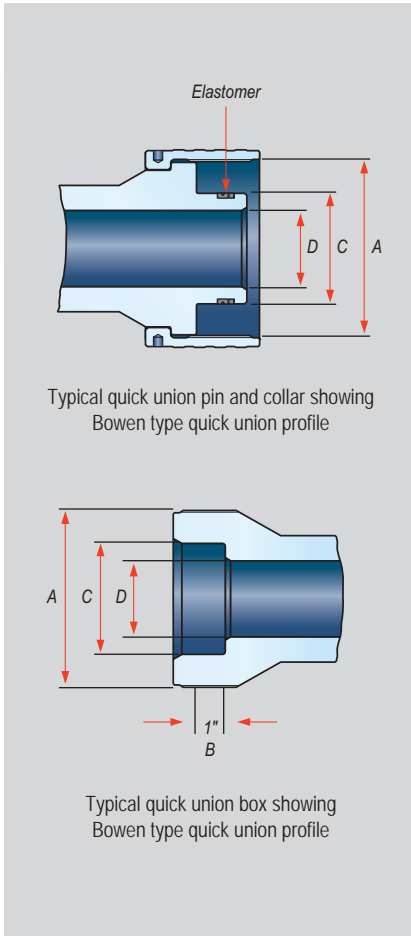


Reference Guide for Common Quick Union Type Connections



Typical quick union pin and collar showing Bowen type quick union profile

Typical quick union box showing Bowen type quick union profile

Typical quick union type connection

QUICK UNION CONNECTION LEGEND

Item	Description
A	Thread size
B	Threads Per Inch (T.P.I.)
C	Seal Diameter
D	Nominal I.D.

Note: All sizes in inches.
Additional connections available on request.

OTIS QUICK UNION TYPE CONNECTIONS

Elmar Code	Thread Size	TPI	Seal Dia	Nominal ID	Working Pressure	Service	O-Ring	BU-Ring	BU-Ring Retainer
O01	5	4	3.500	3.00	5K	STD	L-870310	N/A	N/A
O02	5 3/4	4	4.000	3.00	10K	H ₂ S	L-870490	L-873680	N/A
O03	6 1/4	4	4.000	2.50	15K	H ₂ S	L-870490	L-974353	L-873260
O04	6 1/2	4	4.750	4.00	10K	STD	L-870540	L-873720	N/A
O05	6 1/2	4	5.188	4.00	5K	STD	L-873140	N/A	N/A
O06	7 1/2	4	5.500	3.00	15K	H ₂ S	L-870580	L-974602	L-876260
O07	8 1/4	4	6.188	5.00	5K	H ₂ S	L-870710	N/A	N/A
O08	8 3/8	4	5.250	4.00	10K	H ₂ S	L-875560	L-875570	N/A
O09	8 3/4	4	7.500	6.38	5K	STD	L-870720	N/A	N/A
O10	9	4	6.750	5.00	10K	H ₂ S	L-870850	L-876160	N/A
O11	9 1/2	4	6.250	4.00	15K	H ₂ S	L-872560	L-977411	L-871005
O12	9 1/2	4	8.000	6.38	5K	H ₂ S	L-873120	N/A	N/A
O13	11 1/2	4	8.250	6.38	10K	H ₂ S	L-876060	L-876070	N/A
O14	12	4	10.313	9.00	5K	H ₂ S	L-872440	N/A	N/A
O15	12 1/4	4	7.000	5.00	15K	H ₂ S	L-875810	L-982000	L-873150
O16	5	4	3.500	3.00	5K	H ₂ S	L-870310	N/A	N/A
O17	6 1/2	4	4.750	4.00	5K	H ₂ S	L-870540	N/A	N/A
O18	7 1/2	4	5.500	4.50	10K	H ₂ S	L-870580	L-873760	N/A
O19	6 1/2	4	4.750	3.00	10K	H ₂ S	L-870540	L-873720	N/A
O20	5	4	3.500	2.50	15K	STD	L-870460	L-976083	L-875640
O21	5	4	3.500	3.00	10K	STD	L-870310	L-873570	N/A
O22	8 1/4	4	6.188	5.12	10K	H ₂ S	L-870710	L-875001	N/A
O23	6	4	4.875	4.00	5K	H ₂ S	L-870550	N/A	N/A

BOWEN QUICK UNION TYPE CONNECTIONS

Elmar Code	Thread Size	TPI	Seal Dia	Nominal ID	Working Pressure	Service	O-Ring	BU-Ring	BU-Ring Retainer
B01	4 3/4	4	3.750	3.00	5K	H ₂ S	L-870470	N/A	N/A
B02	6 5/16	4	4.375	3.00	10K	H ₂ S	L-870520	L-873700	N/A
B03	6 5/16	4	3.750	2.50	15K	H ₂ S	L-870470	L-974535	L-873170
B04	5 1/2	4x2	4.375	3.00	5K	H ₂ S	L-870520	N/A	N/A
B06	7	5	4.375	3.00	15K	H ₂ S	L-870520	L-974603	L-873260
B07	8 1/4	4x2	6.000	4.00	10K	H ₂ S	L-870690	L-875340	N/A
B08	7	5	5.250	4.00	5K	H ₂ S	L-875560	N/A	N/A
B09	8 1/4	4x2	6.750	5.50	5K	H ₂ S	L-870850	N/A	N/A
B10	9 5/32	4x2	6.750	5.50	10K	H ₂ S	L-870850	L-876160	N/A
B11	9 7/8	4x2	8.000	6.38	5K	H ₂ S	L-873120	N/A	N/A
B12	4 3/4	4	3.750	3.00	10K	STD	L-870470	L-873660	N/A
B13	5 1/2	4x2	4.375	3.00	10K	STD	L-870520	L-873700	N/A
B14	4 1/16	4	3.000	2.00	5K	H ₂ S	L-870430	N/A	N/A
B15	10 5/8	4	7.500	5.63	10K	H ₂ S	L-870720	L-870021	N/A
B16	4 1/2	4	3.000	2.00	10K	H ₂ S	L-870430	L-873630	N/A
B17	8 7/8	4x2	6.500	5.00	10K	STD	L-873280	L-875540	N/A
B18	13	4	9.500	7.06	10K	H ₂ S	L-874008	L-874009	N/A
B19	8 7/8	4x2	5.500	4.00	15K	H ₂ S	L-873270	L-980815	L-871029
B20	6	4x2	4.875	3.38	5K	H ₂ S	L-870550	N/A	N/A

Elmar QUICK UNION TYPE CONNECTIONS

Elmar Code	Thread Size	TPI	Seal Dia	Nominal ID	Working Pressure	Service	O-Ring	BU-Ring	BU-Ring Retainer
E04	6 3/4	4	5.375	4.892	5K	STD	L-870610	N/A	N/A
E05	9	4	7.500	6.765	5K	STD	L-870660	N/A	N/A
E06	4 3/4	4	3.750	3.00	10K	H ₂ S	L-870470	L-873660	N/A
E07	8 1/2	4	7.250	6.765	3K	STD	L-870840	N/A	N/A
E08	8 3/4	4	6.500	5.00	10K	H ₂ S	L-870630	L-873790	N/A
E09	4 3/4	4x2	3.750	3.00	10K	H ₂ S	L-870470	L-873660	N/A
E12	6 1/8	4x2	4.750	4.06	10K	H ₂ S	L-870540	L-873720	N/A
E13	3 3/4	8	2.500	-	10K	H ₂ S	L-875630	L-872700	N/A
E14	9	4	7.500	6.625	5K	H ₂ S	L-870660	N/A	N/A
E16	6 3/4	4	5.375	4.892	5K	H ₂ S	L-870610	N/A	N/A
E21	9 3/8	4	7.750	6.67	5K	H ₂ S	L-870006	N/A	N/A
E22	6 7/8	4	5.625	4.892	5K	H ₂ S	L-870590	N/A	N/A
E30	9 1/2	4	5.500	4.06	20K	H ₂ S	L-8701008706	L-9701008692	L-871029
E32	7 7/8	4x2	6.125	5.125	10K	H ₂ S	L-873040	L-872080	N/A