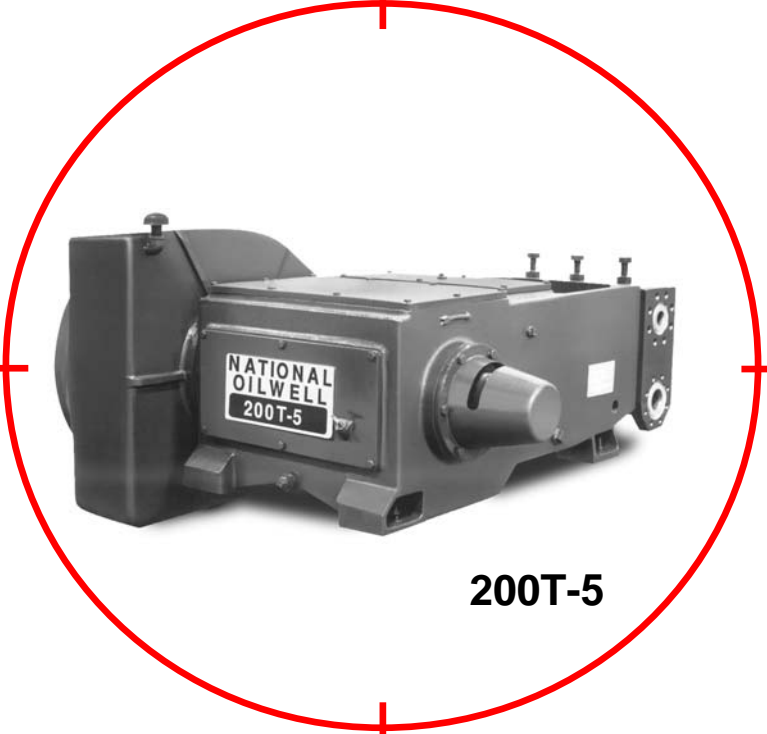
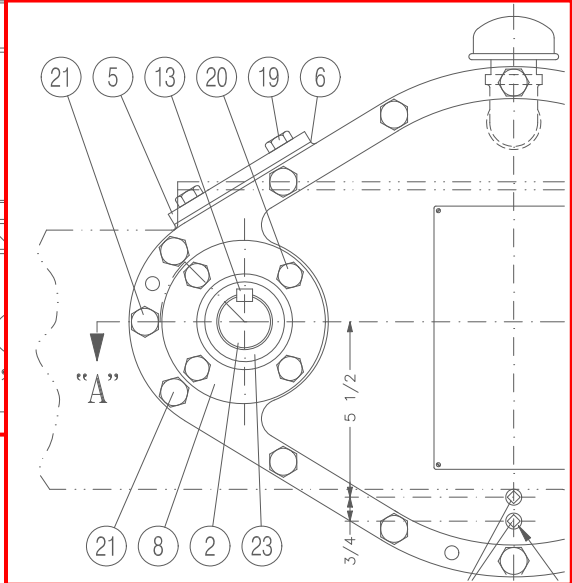
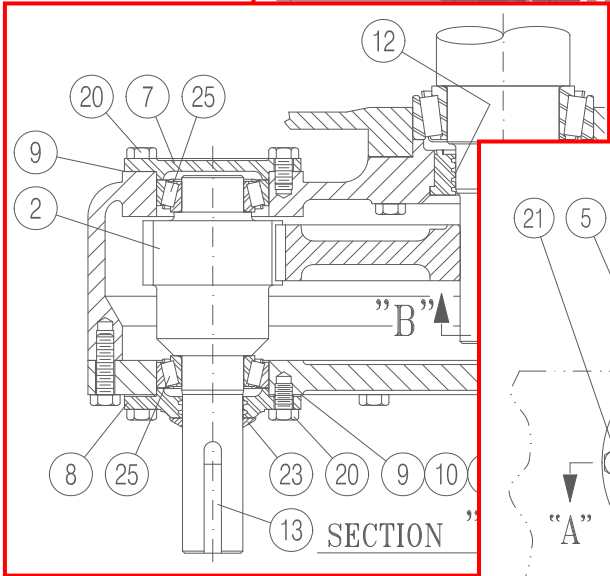
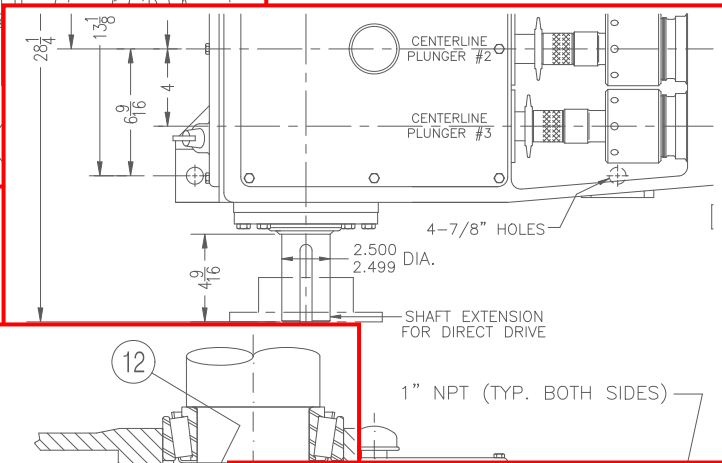
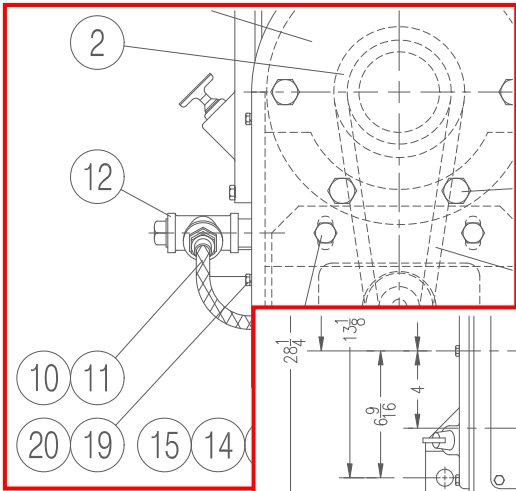


# 200T-5 Triplex Plunger Pump Parts List



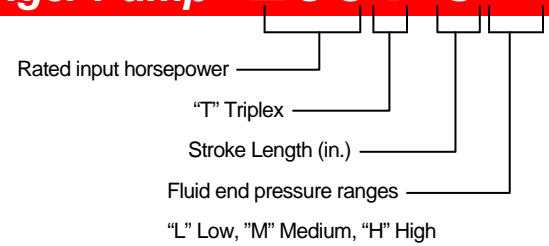
**200T-5**



**Types:**  
**200T-5L**  
**200T-5M**  
**200T-5H**

**Sales / Technical Information**

**USA Tollfree:** 1 (800) 324-4706  
**Phone:** 1 (918) 447-4600  
**Fax:** 1 (918) 447-4677  
**Internet:** <http://www.nov.com>

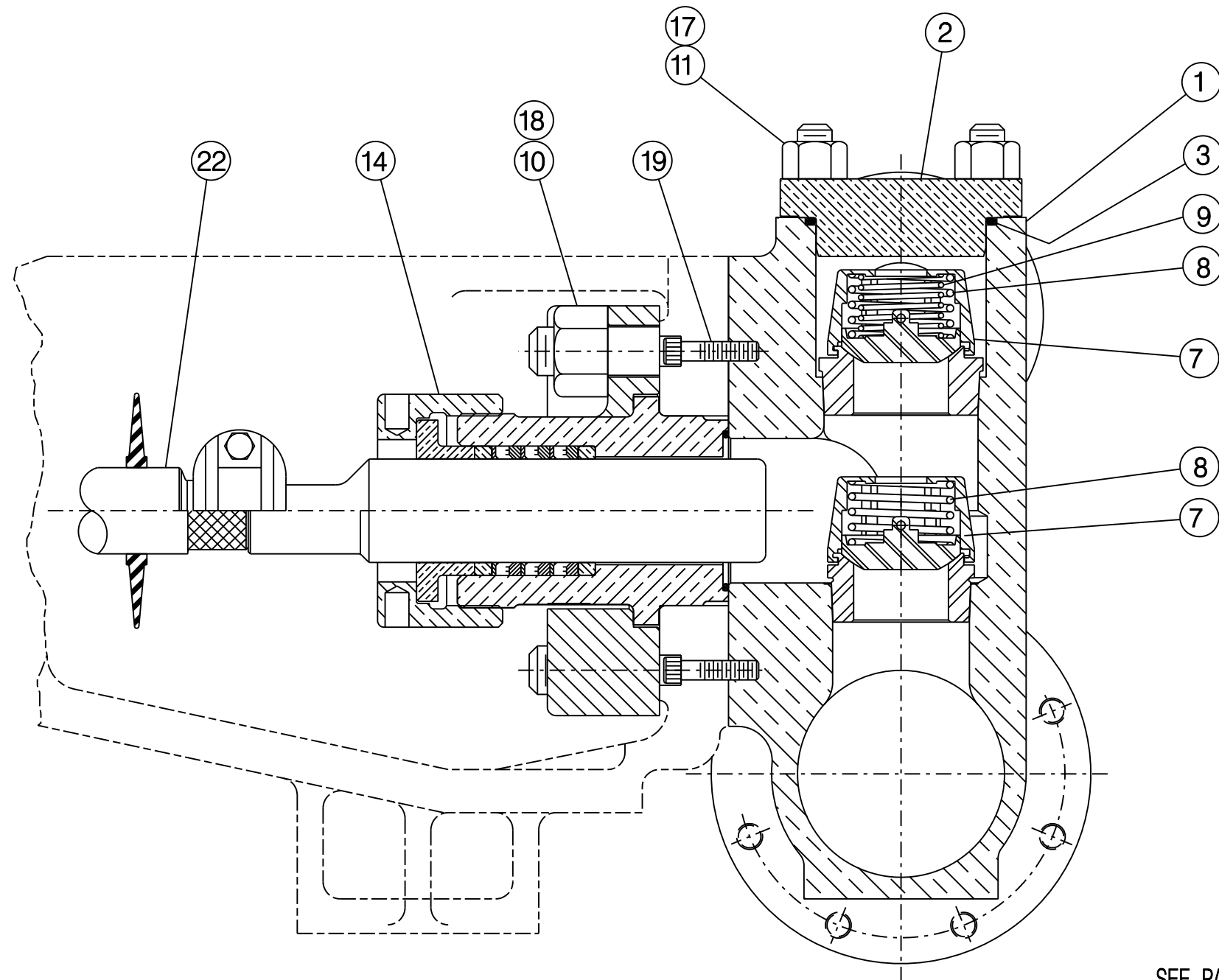


### Index and Check List:

PAGE	DWG. NUMBER	DESCRIPTION	SERIES OF ISSUE	DATE OF ISSUE
1	1717960	ASSEMBLY, FLUID END, 200T-5L – ALUM. BRZ.	THIRD	8-21-07
2	1717961	ASSEMBLY, FLUID END, 200T-5M – ALUM. BRZ.	THIRD	8-21-07
3	1717962	ASSEMBLY, FLUID END, 200T-5H – ALUM. BRZ.	THIRD	8-21-07
4	1717963	POWER END ASSEMBLY	THIRD	7-31-07
5	1717964	CRANKSHAFT ASSEMBLY	THIRD	5-2-07
6	1717965	SEVERE DUTY VALVE ASSEMBLY	FIRST	8-21-07
7	1717966	CAGE VALVE SERVICE – S.S. PLATE, BOTTOM GUIDED AND BALL AND SEAT	FIRST	11-15-96
8	1717967	VALVE SERVICE KITS – SPHERICAL SEAT	SECOND	1-18-06
9	1717968	VALVE SERVICE KITS – NOV TAPERED SEAT AND CAGE TYPE	FIRST	11-15-96
10	1717969	GEAR REDUCER ASSEMBLY (ALL RATIOS)	FIRST	11-15-96
11	1717970	PLUNGER KIT ASSEMBLY – 200T-5L AND 5M	FIRST	11-15-96
12	1717971	PLUNGER KIT ASSEMBLY – 200T-5L, 5M AND 5H	FIRST	11-15-96
13	1717972	S.S. PLUNGER KITS W/ KEVLAR PACKING – 200T-5L AND 5M	FIRST	11-15-96
14	1717973	S.S. PLUNGER KITS W/ KEVLAR PACKING – 200T-5L, 5M AND 5H	FIRST	11-15-96
15	1717974	PLUNGER W/ INTERM. ROD ASSY. STRAIGHT / TAPERED CLAMP	FIRST	11-15-96
16	1717975	PLUNGER W/ INTERM. ROD ASSY. – DOUBLE TAPERED CLAMP (OBSOLETE)	FIRST	11-15-96
17	1717976	PLUNGER W/ INTERM. ROD ASSY. – THREADED PLUNGER	FIRST	11-15-96
18	1717977	LUBRICATOR PIPING ASSY.	SECOND	01-25-05
19	1717983	LOW SPEED LUBRICATION	FIRST	11-15-96
20	1717978	OPTIONAL ACCESSORIES	SECOND	10-27-97
21	1717979	LOW PRESSURE IN-LINE SUCTION DAMPENERS (WELD-ON)	FIRST	11-15-96
22	1717980	HIGH PRESSURE IN-LINE SUCTION DAMPENERS (WELD-ON)	FIRST	11-15-96
23	1717981	200T-5 OUTLINE DRAWING WITHOUT GEAR REDUCER	FIRST	11-15-96
24	1717982	200T-5 OUTLINE DRAWING WITH GEAR REDUCER	FIRST	11-15-96

Revisions effective August 21, 2007 – updated logo; drawing number 1717965 was Durable Tapered Seat; revised pages 1 thru 5 and 8.

LTR	DESCRIPTION OF CHANGE	MADE	CHKD	DATE	APPROVED	M NO
B	REMOVED DURABLE VALVES	MADE	CHKD	8.21.07		
B1	REMOVED INDIVIDUAL VALVE AND SEAT PART NUMBERS	MADE	CHKD	8.21.07		



3	SEE PAGES 15, 16 & 17	INTERMEDIATE ROD (SCREW OR CLAMP TYPE)	22	
△	16	7000444-11	SCREW, 3/4" x 3 HEX HD CAP (DISCH.)	21
△	16	7000440-11	SCREW, 3/4" x 2 HEX HD CAP (SUCT.)	20
4	7006309	SCREW, 1/2"-13 x 2 1/4" HEX SOC HD CAP	19	
12	6300220	NUT, 1 3/8"-6 HVY HEX	18	
12	6300160	NUT, 1"-8 HVY HEX	17	
△	2	6908025	RING, OVAL JOINT R-31	16
△	2	6010007	GASKET, 6" 150* FLAT RING	15
3	SEE PAGES 11, 12, 13 & 14	STD. PLUNGER KIT SELECTION	14	
⊗	2	*45-A	CAPLUG - DISCH. FLG.	13
⊗	2	*1097	CAPLUG - SUCT. FLG.	12
12	10000185	STUD, 1" x 3 3/4" LG	11	
12	10032367	STUD, 1 3/8" x 7 1/2" LG.	10	
1	1794026	SPRING, INNER	9	
1	1794025	SPRING, OUTER	8	
1	1794024-6	RETAINER, SPRING	7	
3	1794022-25	VALVE CPT., SPHERICAL DISCHARGE	6	
3	1794020-25	VALVE CPT., SPHERICAL SUCTION	5	
x	1	1712326	BAR, STUFF. BOX ADJ. NUT	4
3	2410031429	PACKING, TOP CYL. COVER	3	
3	1712073	COVER, CYLINDER TOP	2	
1	171296414	CYLINDER ONLY, FLUID (NI-ALUM. BRONZE)	1	
QTY REQ'D	PART NO.	DESCRIPTION	ITEM NO.	
	171296614-S	STANDARD ASSY. w/ SPHER. TAPERED SEAT VALVES		
		* ITEM NOT SHOWN FOR CLARITY		
		⊗ FOR SHIPPING PURPOSES ONLY		
		△ SHIPPED SEPERATELY		

LIST OF MATERIAL



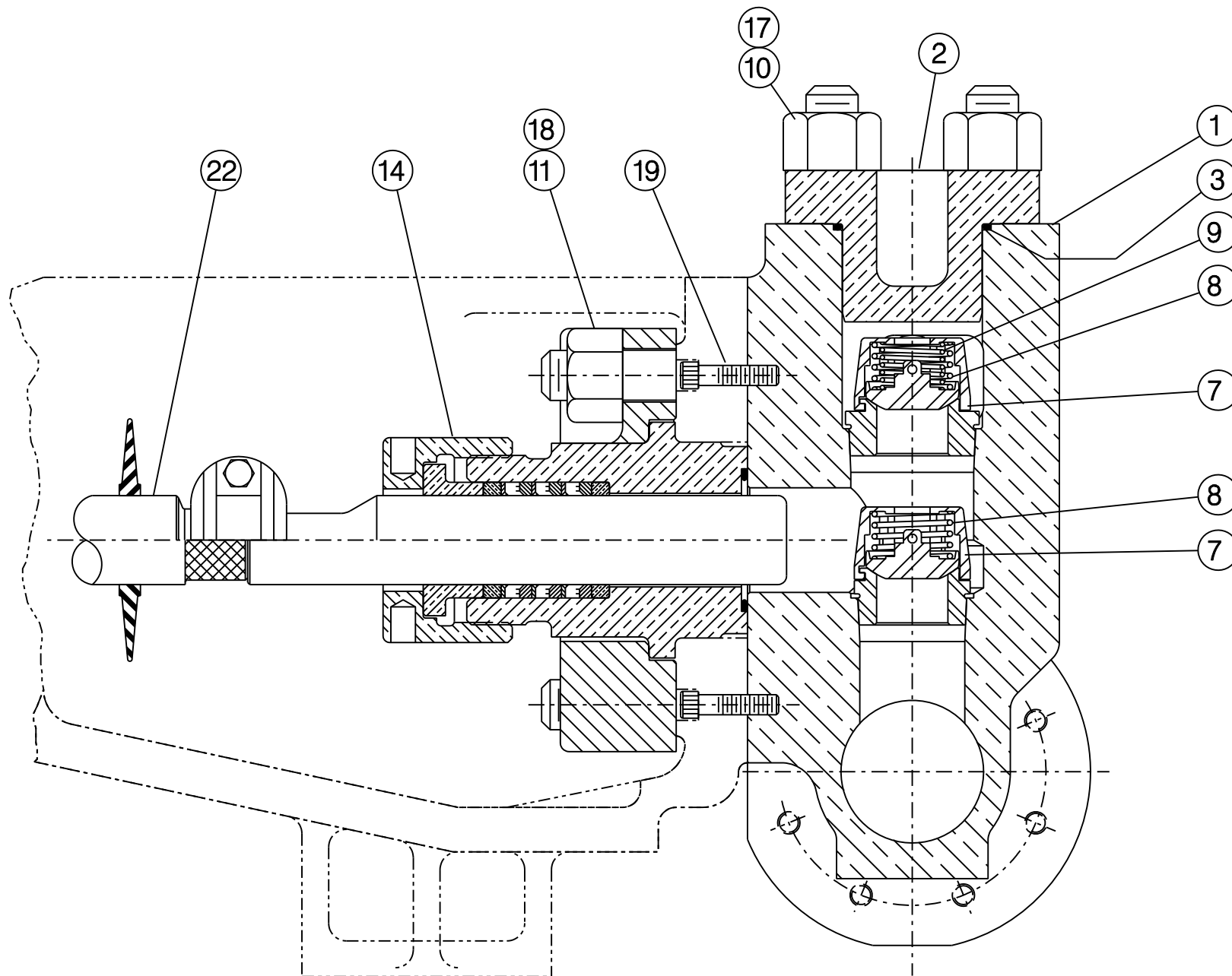
SEE PAGE 6 FOR SEVERE DUTY VALVE ASSEMBLY

TITLE  
**FLUID END ASSEMBLY**  
**200T-5L (J-200-L14SF)**

SIZE	REFERENCE No.	DRAWING No.	REV
B		1717960	B

SCALE	EST WT	SHEET
1 / 4		1 OF 1

LTR	DESCRIPTION OF CHANGE	MADE	CHKD	DATE	APPROVED	M NO
B	REMOVED DURABLE VALVES	MTH	RPO	8.21.07		
B1	REMOVED INDIVIDUAL VALVE AND SEAT PART NUMBERS	MTH	RPO	8.21.07		



3	SEE PAGES 15, 16 & 17	INTERMEDIATE ROD (SCREW OR CLAMP TYPE)	22	
△	16	7000485-11	SCREW, 7/8" x 3 HEX HD CAP (DISCH.)	21
△	16	7000397-11	SCREW, 5/8" x 2 HEX HD CAP (SUCT.)	20
4	7006309	SCREW, 1/2"-13 x 2 1/4" HEX SOC HD CAP	19	
12	6300220	NUT, 1 3/8" HVY HEX	18	
12	6300240	NUT, 1 1/2" HVY HEX	17	
△	2	6908015	RING, OVAL JOINT R-24	16
△	2	6010006	GASKET, 4" 150* FLAT RING	15
3	SEE PAGES 11, 12, 13 & 14	STD. PLUNGER KIT SELECTION	14	
⊗	2	*21	CAPLUG - DISCH. FLG.	13
⊗	2	*1063	CAPLUG - SUCT. FLG.	12
12	10032367	STUD, 1 3/8"-6 x 7 1/2" LG.	11	
12	49-010-359	STUD, 1 1/2"-6 x 5 1/2" LG.	10	
1	1793026	SPRING, INNER	9	
1	1793025	SPRING, OUTER	8	
1	1793024-6	RETAINER, SPRING	7	
3	1793022-25	VALVE CPT., SPHERICAL DISCHARGE	6	
3	1793020-25	VALVE CPT., SPHERICAL SUCTION	5	
*	1	1712326	BAR, STUFF. BOX ADJ. NUT	4
3	2410031345	PACKING, TOP CYL. COVER	3	
3	171203314	COVER, CYLINDER TOP	2	
1	171297314	CYLINDER ONLY, FLUID (NI-ALUM. BRONZE)	1	
QTY REQ'D	PART NO.	DESCRIPTION	ITEM NO.	
	171297114-S	* ITEM NOT SHOWN FOR CLARITY		
	STANDARD ASSY.	⊗ FOR SHIPPING PURPOSES ONLY		
	w/ SPHER. TAPERED	△ SHIPPED SEPERATELY		
	SEAT VALVES			

LIST OF MATERIAL

SEE PAGE 6 FOR SEVERE DUTY VALVE ASSEMBLY

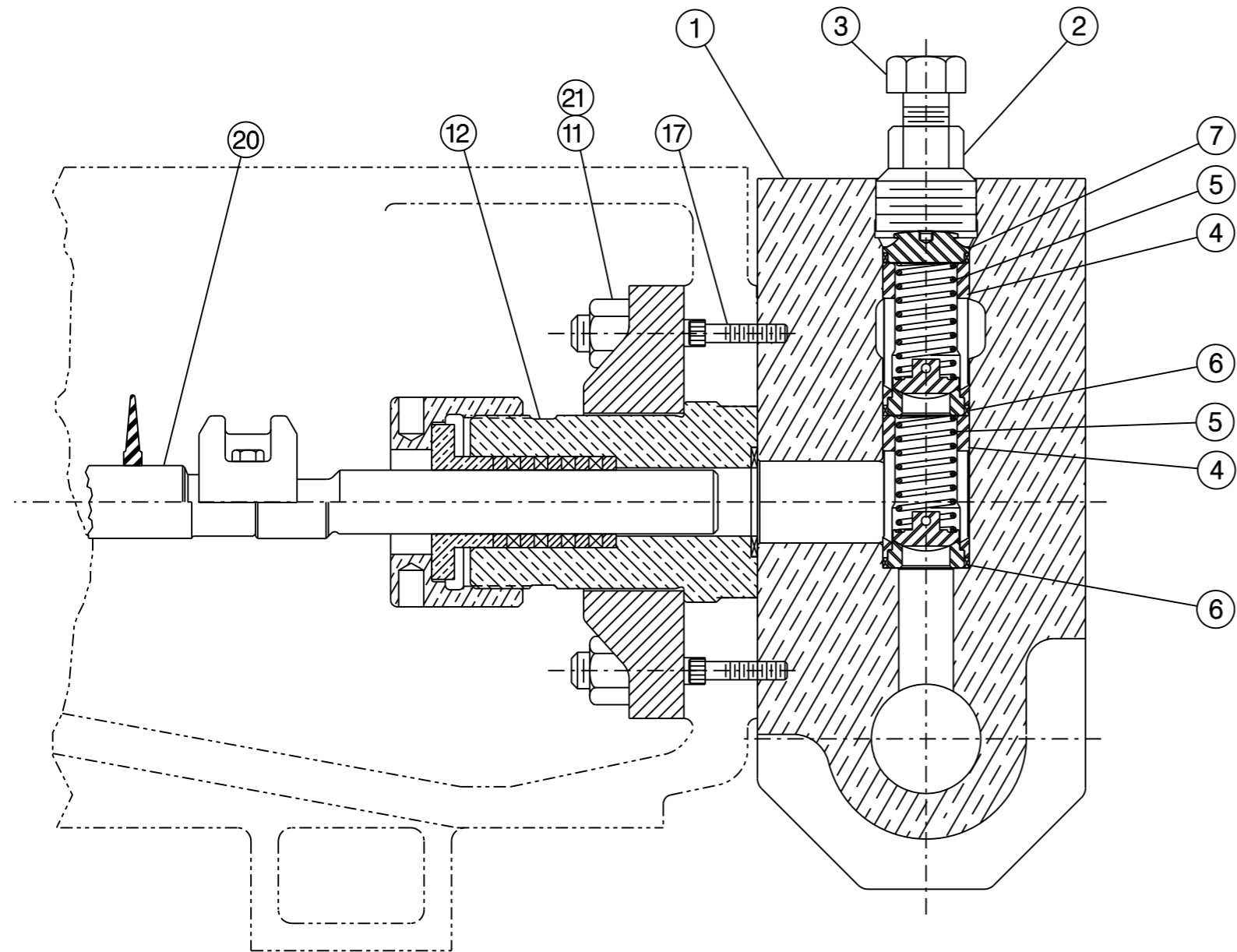
**NOV NATIONAL OILWELL VARCO**

TITLE  
FLUID END ASSEMBLY  
200T-5M (J-200-M14SF)

SIZE	REFERENCE No.	DRAWING No.	REV
B		1717961	B

SCALE	EST WT	SHEET
1 / 4		1 OF 1

LTR	DESCRIPTION OF CHANGE	MADE	CHKD	DATE	APPROVED	M NO
B	REMOVED DURABLA VALVES	MADE	CHKD	8.21.07		
B1	REMOVED INDIVIDUAL VALVE AND SEAT PART NUMBERS	MADE	CHKD	8.21.07		



12	6300220	NUT, 1 3/8" -6 HVY HEX	21	
3	SEE PAGES 15, 16 & 17	ROD, INTERMEDIATE (CLAMP OR THREADED TYPE)	20	
△	16	700053011	SCREW, 1" x 4" LG. HEX HD CAP (DISCHARGE)	19
△	16	700044411	SCREW, 3/4" x 3" LG. HEX HD CAP (SUCTION)	18
4	7006309	SCREW, 1/2" x 2 1/4" LG. HEX SOC HD CAP	17	
△	2	6908025	RING, OVAL JOINT R-31 (SUCT.)	16
△	2	6908019	RING, OVAL JOINT R-26 (DISCH.)	15
⊗	2	*250	CAPLUG, DISCHARGE FLANGE	14
⊗	2	*501	CAPLUG, SUCTION FLANGE	13
3	SEE PAGES 11, 12, 13, & 14	STD. PLUNGER KIT OPTIONS	12	
12	10032367	STUD, 1 3/8" x 7 1/2" LG.	11	
*	1	1712326	BAR, STUFFING BOX ADJUSTING NUT	10
6	1717080-25	VALVE CPT, BG CAGE	9	
6	1717090-25	VALVE CPT, SPHERICAL	8	
3	17134172	RETAINER, VALVE CAGE	7	
9	1712373	SEAL, VALVE CAGE	6	
6	1712486	SPRING, BALL VALVE	5	
6	17125854	CAGE, VALVE	4	
3	1713410	SCREW, CAGE LOADING	3	
3	17094842	COVER, CYLINDER TOP	2	
1	171247914	CYLINDER ONLY, FLUID (NI-ALUM. BRONZE)	1	

QTY REQD	PART NUMBERS	MATERIAL/SPECIFICATION	ITEM NO.
	171247714-S STANDARD ASSY. w/ SPHERICAL CAGE VALVES	* ITEM NOT SHOWN FOR CLARITY ⊗ FOR SHIPPING PURPOSES ONLY △ SHIPPED SEPERATELY	

LIST OF MATERIAL

SEE PAGE 6 FOR SEVERE DUTY VALVE ASSEMBLY

**NOV NATIONAL OILWELL VARCO**

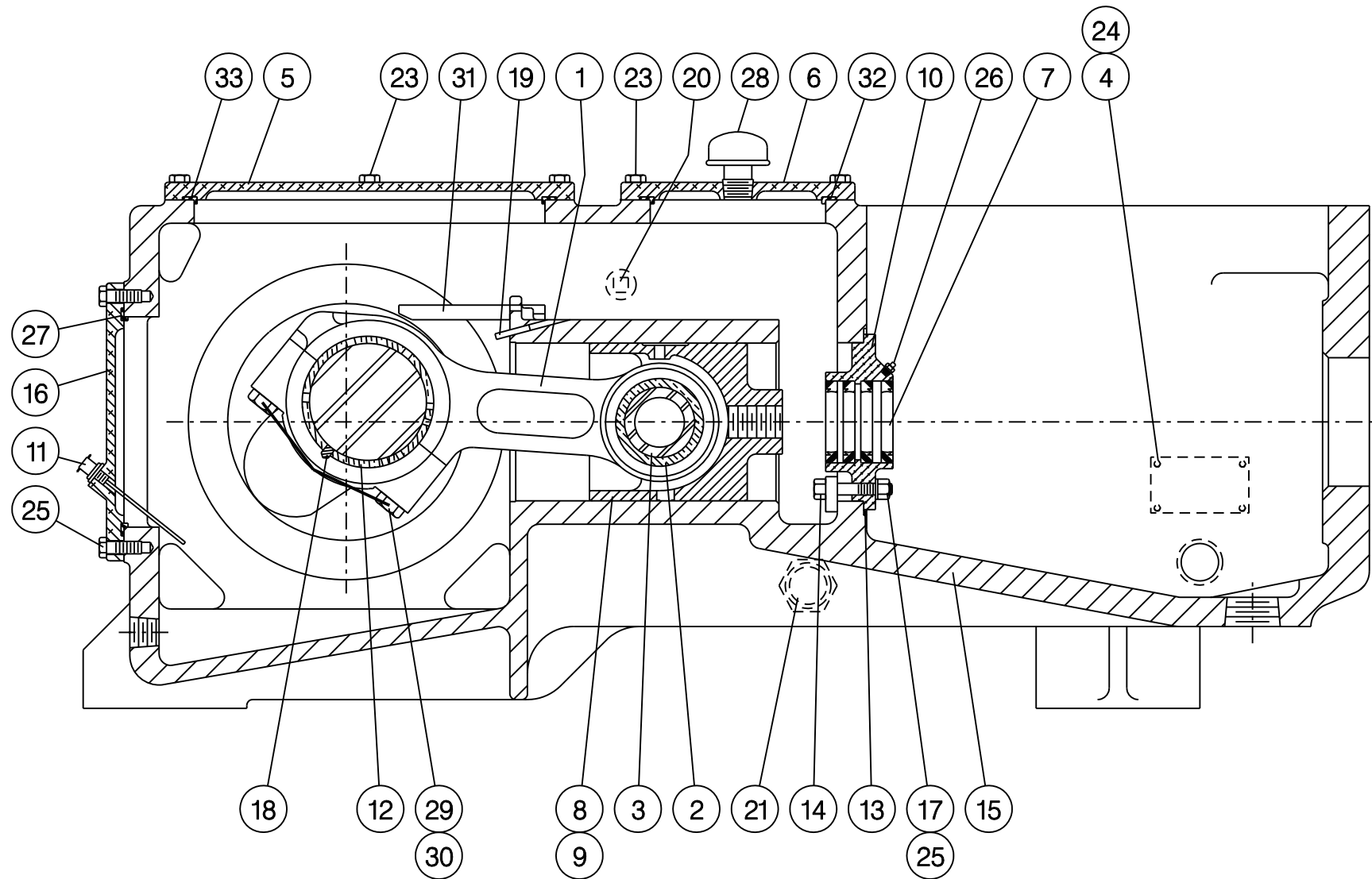
TITLE  
FLUID END ASSEMBLY  
200T-5H (J-200-H14SF)

SIZE	REFERENCE No.	DRAWING No.	REV
B		1717962	B

SCALE	EST WT	SHEET
1/4		1 OF 1

3

LTR	DESCRIPTION OF CHANGE	MADE	CHKD	DATE	APPROVED	M NO
A	REVISED COVER GASKETS	DCP	RPQ	10-27-00		
B	WAS 1716016	MTH		7-31-07		



1	1717112	GASKET, TOP LEFT COVER	33
1	1717111	GASKET, TOP COVER	32
2	1713016P	TROUGH, OIL	31
3 FT.	59-800-016	WIRE, 16 GA. ANNEALED	30
2	21032044	BOLT, CONN. ROD - DRILLED HD	29
1	7802020	CAP, 1" BREATHER	28
1	1717110	GASKET, REAR COVER	27
3	7805052	FITTING, LUBE 1/8	26
6	7618018	WASHER, 1/2 PARKER	25
4	7178025	DRIVESCREW, *2-1/4" ROUND HEAD	24
18	700030511	CAPSCREW, 1/2" x 1/2" LG. HEX HD	23
2	7026299	SETSCREW, 1/2" x 1/2" LG. HEX SOCKET	22
1	6874012	PLUG, 1 1/2" STD SOLID SQ. HD.	21
2	6874008	PLUG, 1" STD SOLID SQ. HD.	20
3	6572420	PIN, 3/8" x 1/4" SPRING SLOT	19
1	6510604	PIN, 3/8" x 1/2" DOWEL	18
6	6308080	NUT, 1/2" ESNA	17
1	1712430	PLATE, POWER END REAR COVER	16
1	1717478	FRAME, MAIN	15
6	1716031	BOLT, HOOK INT ROD	14
3	1716017	GASKET, INT ROD	13
6	1716012	BUSHING, CONN ROD	12
1	2400054	GAUGE, DIPSTICK OIL	11
3	1716009	RETAINER, WIPER	10
1	H7028104	SETSCREW, 1/4" x 1/2" LG. HEX SOC CONE	9
3	1716005	CROSSHEAD	8
12	1713297	WIPER, OIL JM 16203	7
1	1712014	PLATE, CROSSHEAD COVER	6
1	G1717614	PLATE, POWER END TOP	5
1	G2407274	PLATE, WARNING	4
3	1716008	PIN, CROSSHEAD (INCL. ITEM *9)	3
3	1716010	BUSHING, CROSSHEAD PIN	2
3	G1716004	ROD CPT, CONNECTING (INCL. ITEM No. 2, 18 & 29)	1

QTY REQD	PART NO.	DESCRIPTION / MATERIAL / SPECIFICATION	ITEM NO.
LIST OF MATERIAL			

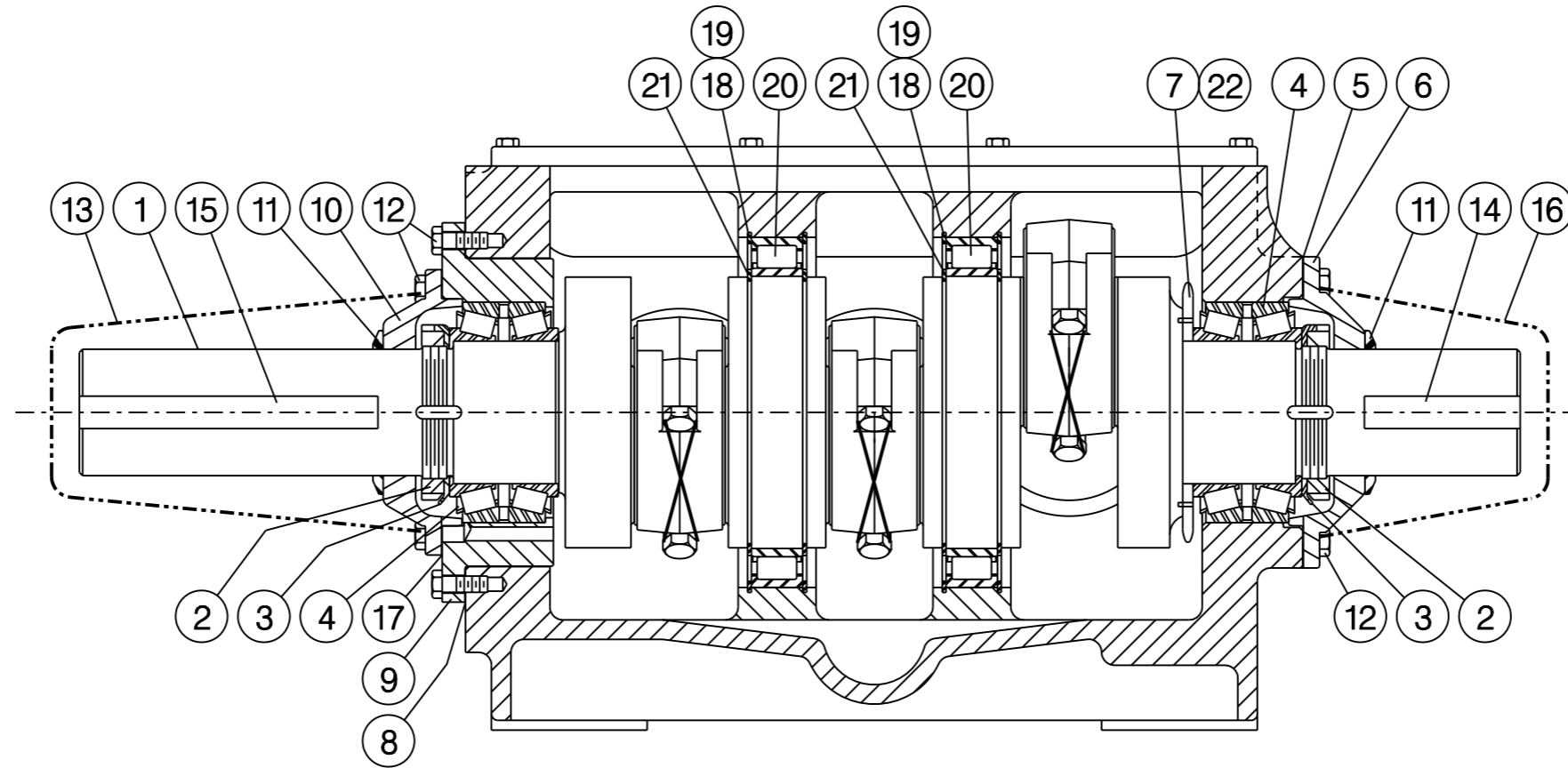
\* ITEM NOT SHOWN FOR CLARITY

**NOV NATIONAL OILWELL VARCO**

POWER END ASSEMBLY  
200T-5 PLUNGER PUMP

SIZE	REFERENCE No.	DRAWING No.	REV
B		1717963	B
SCALE	NONE	EST WT	SHEET 1 OF 1

4



5

2	149-014034-220	PIN,ROLL	22
4	1716019	RING, CRANKSHAFT SNAP	21
2	ZB-10500	BEARING, CENTER ROLLER	20
4	1716018	RING, MAIN FRAME SPAP	19
4	6570816	PIN, 3/16 x 1" SLOT SPRING	18
1	1713010	GASKET, BEARING RETAINER (CAGE SIDE)	17
1	1713112	COVER, RIGHT CRANKSHAFT EXTENSION	16
1	2404019	KEY, CRANKSHAFT 1/2"x9/2" (BELT DRIVE)	15
1	2404048	KEY, CRANKSHAFT 1/4"x5/2" (DIRECT DRIVE)	14
1	1713111	COVER, CRANKSHAFT EXTENSION	13
20	2400930	SCREW, 5/8 X 1 3/4 DRLD HEX HD CAP	12
2	7818106	EXCLUDER, DIRT	11
1	1713022	RETAINER,CRANKSHAFT - CAGE SIDE	10
1	1713007	CAGE, MAIN BEARING	9
1	1713008	GASKET, MAIN BEARING CAGE	8
1	G1717621	SPROCKET, CRANKSHAFT-60T	7
1	1713017	RETAINER,CRANKSHAFT BEARING	6
2	1713009	GASKET, CRK'SHT. BEARING RETAINER	5
2	ZT5506	BEARING, TIMKEN	4
2	7610050	WASHER, TIMKEN	3
2	6304048	NUT, TIMKEN BEARING LOCK	2
1	1717862	CRANKSHAFT (INCLUDES ITEM *2)	1

\* \*  
\*  
\*  
\*

\* OPTIONAL EQUIPMENT  
\* \* FURNISHED ONLY WHEN NO ACCESSORY DRIVES ARE REQUIRED

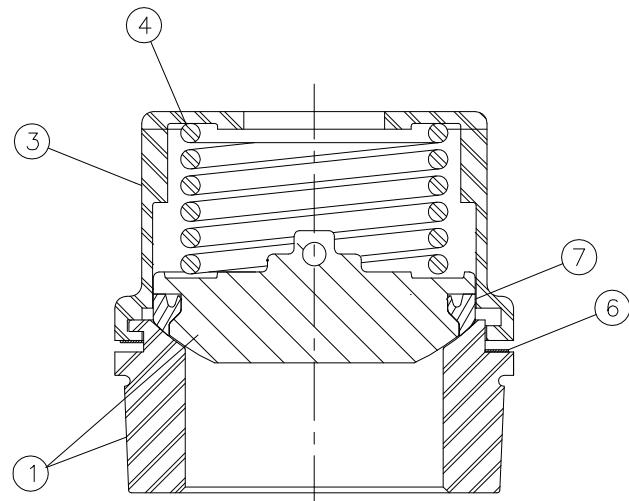
**NOV NATIONAL OILWELL VARCO**  
HOUSTON, TEXAS U.S.A. ENGINEERING, McALESTER, OKLAHOMA

TITLE **CRANKSHAFT ASSEMBLY**  
**200T-5 PLUNGER PUMP**

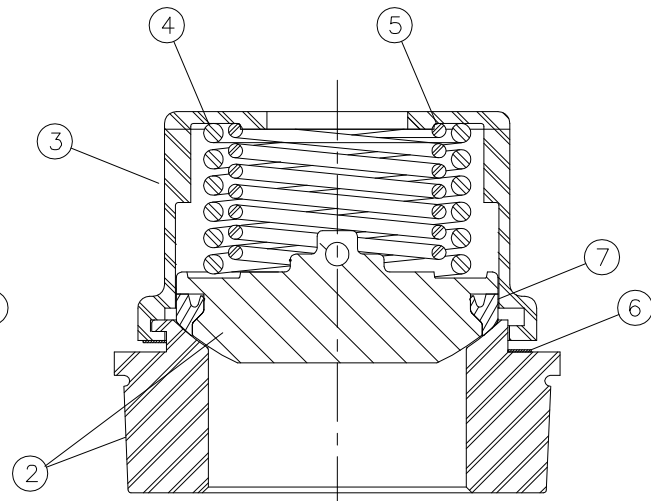
SIZE **B** REFERENCE No. DRAWING No. **1717964** REV **B**

SCALE **NONE** EST WT SHEET **1 OF 1**

QTY REQ'D PART NO. DESCRIPTION /MATERIAL /SPECIFICATION ITEM NO.  
LIST OF MATERIAL



SUCTION

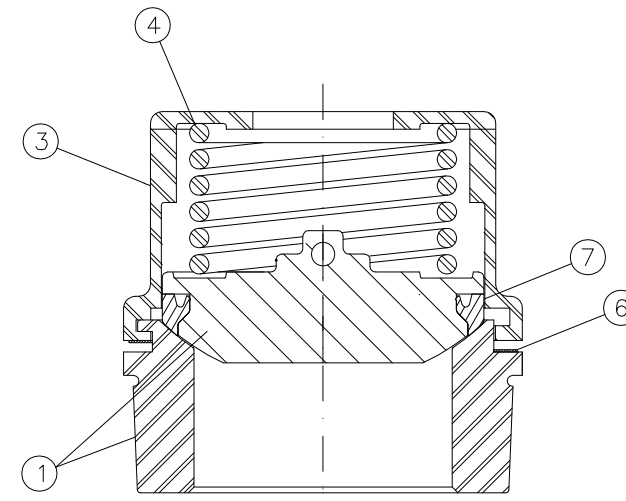


DISCHARGE

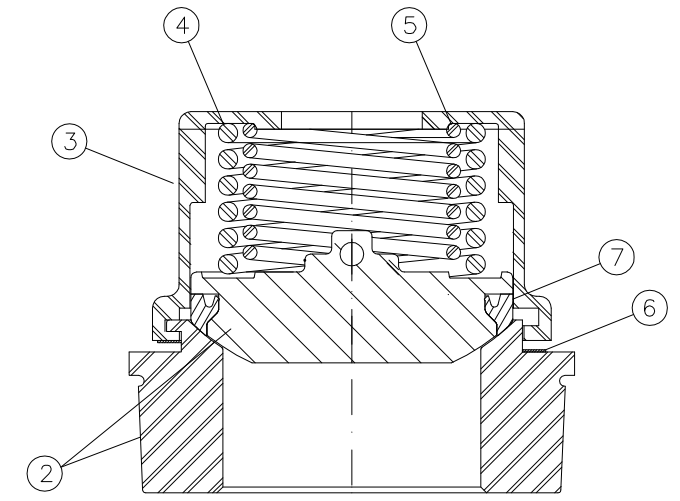
1	9707084	SEAL/INSERT	7
1	9707080	WAVE RING	6
1	1794026	SPRING, INNER	5
1	1794025	SPRING, OUTER	4
1	1794024-6W	RETAINER, SPRING	3
1	1794022-25SD	VALVE CPT, DISCHARGE- SEVERE DUTY	2
1	1794020-25SD	VALVE CPT, SUCTION- SEVERE DUTY	1
QTY REQD	PART NO.	DESCRIPTION	ITEM NO.

LIST OF MATERIAL

200T-5L  
TAPERED SEAT  
SPHERICAL S.D. TYPE



SUCTION

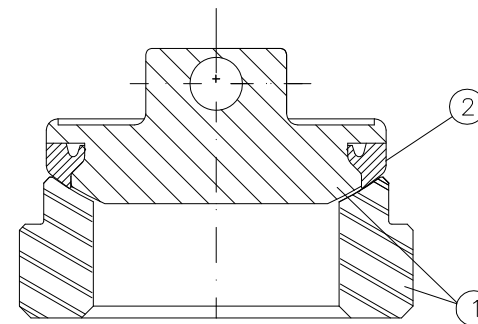


DISCHARGE

1	9707086	SEAL/INSERT	7
1	9707082	WAVE RING	6
1	1793026	SPRING, INNER	5
1	1793025	SPRING, OUTER	4
1	1793024-6W	RETAINER, SPRING	3
1	1793022-25SD	VALVE CPT, DISCHARGE- SEVERE DUTY	2
1	1793020-25SD	VALVE CPT, SUCTION- SEVERE DUTY	1
QTY REQD	PART NO.	DESCRIPTION	ITEM NO.

LIST OF MATERIAL

200T-5M  
TAPERED SEAT  
SPHERICAL S.D. TYPE



SUCTION & DISCHARGE

1	9707094	SEAL/INERT	2
1	1717090-25SD	VALVE CPT, SUCTION & DISCHARGE- SEVERE DUTY	1
QTY REQD	PART NO.	DESCRIPTION	ITEM NO.

LIST OF MATERIAL

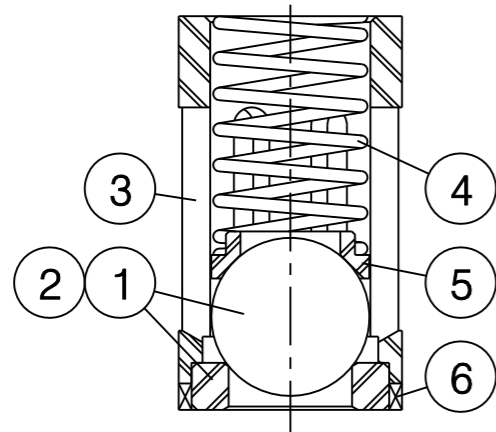
200T-5H  
TAPERED SEAT  
SPHERICAL S.D. TYPE



TITLE			
SEVERE DUTY VALVE ASSY. 200T-5 TRIPLEX PLUNGER PUMP			
SIZE	REFERENCE No.	DRAWING No.	REV
B		1717965	
SCALE	1/2	EST WT	SHEET 1 OF 1

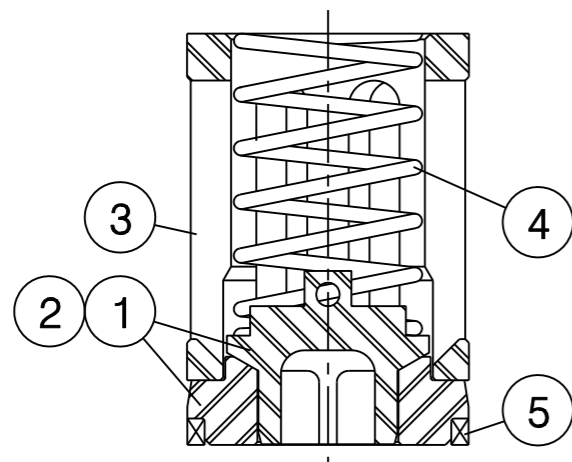


1	1712373	SEAL	6
1	1712372	RETAINER, SPRING	5
1	1712371	SPRING	4
1	1712370-4	CAGE	3
1	1712367	VALVE & SEAT (DISCHARGE)	2
1	1712367	VALVE & SEAT (SUCTION)	1
QTY REQ'D	PART NO.	DESCRIPTION	ITEM NO.
LIST OF MATERIAL			



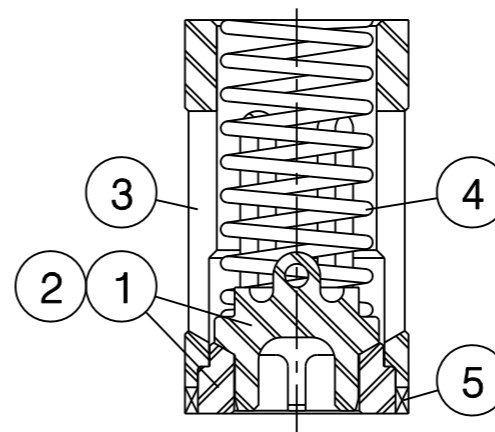
**200T - 5H & 5PO**  
CAGE TYPE  
BALL VALVE

1	1716112	SEAL	5
1	1716336	SPRING	4
1	1716335-4	CAGE	3
1	1716330-25	VALVE & SEAT (DISCHARGE)	2
1	1716330-25	VALVE & SEAT (SUCTION)	1
QTY REQ'D	PART NO.	DESCRIPTION	ITEM NO.
LIST OF MATERIAL			



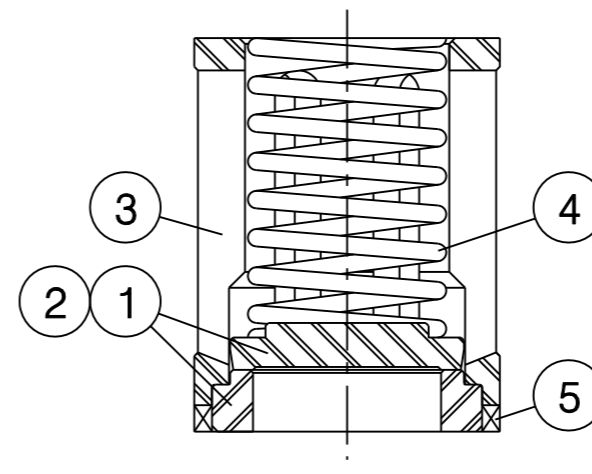
**200T - 5HCB**  
BOTTOM GUIDED  
CAGE TYPE VALVE

1	1713038	1712373	SEAL	5
1	1713036	1712486	SPRING	4
1	1713065-4	1712585-4	CAGE	3
1	1713500-25	1717080-25	VALVE & SEAT (DISCHARGE)	2
1	1713500-25	1717080-25	VALVE & SEAT (SUCTION)	1
QTY REQ'D	PART NO. 200T-5M	PART NO. 200T-5H	DESCRIPTION	ITEM NO.
LIST OF MATERIAL				



**200T - 5MCA & 5HCA**  
BOTTOM GUIDED  
CAGE TYPE VALVE

1	1713038	1712373	SEAL	5
1	1713036	1712486	SPRING	4
1	1713065-4	1712585-4	CAGE	3
1	1713062	1712582	VALVE & SEAT (DISCHARGE)	2
1	1713060	1712580	VALVE & SEAT (SUCTION)	1
QTY REQ'D	PART NO. 200T-5M	PART NO. 200T-5H	DESCRIPTION	ITEM NO.
LIST OF MATERIAL				



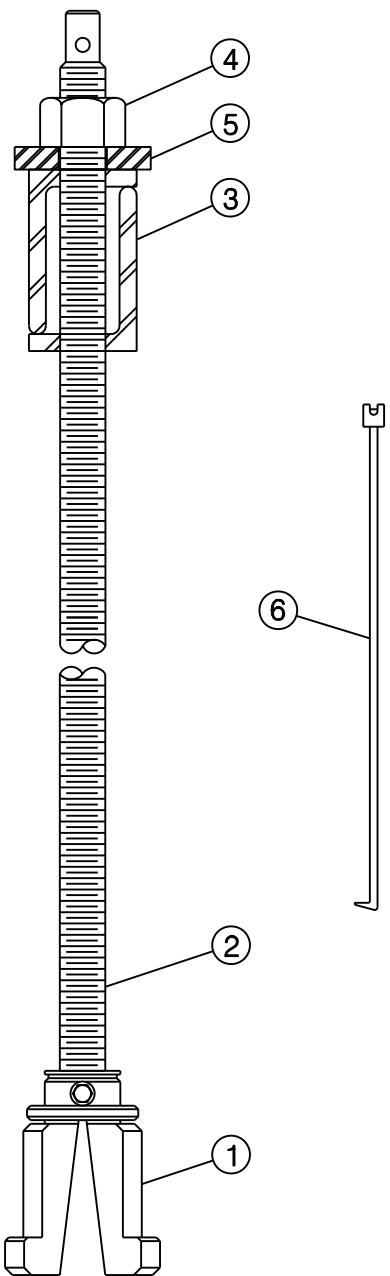
**200T - 5MCA & 5HCA**  
CAGE TYPE  
DISC VALVE

<b>NOV NATIONAL OILWELL VARCO</b>			
HOUSTON, TEXAS U.S.A.		ENGINEERING, McALESTER, OKLAHOMA	
TITLE CAGE TYPE VALVE ASSEMBLY 200T-5 TRIPLEX PLUNGER PUMP			
SIZE B	REFERENCE No.	DRAWING No. 1717966	REV
SCALE 1/2	EST WT	SHEET 1 OF 1	

LTR	DESCRIPTION OF CHANGE	MADE	CHKD	DATE	APPROVED	M NO
A	REMOVED DURABLA VALVE	MTH	RPO	8.21.07		

200T - 5L			
ITEM No.	PART NO.	DESCRIPTION	QTY. REQ'D
	180104143	VALVE KIT CPT.	1
1	181259409	HEAD	1
2	20220159	STEM	1
3	181205709	SPACER	1
4	75518308	NUT, 1"	1
5	20220194	WASHER	1
6	1790034	RETRIEVER	1

200T - 5M			
ITEM No.	PART NO.	DESCRIPTION	QTY. REQ'D
	180104127	VALVE KIT CPT.	1
1	181259300	HEAD	1
2	20220159	STEM	1
3	181205709	SPACER	1
4	75518308	NUT, 1"	1
5	20220194	WASHER	1
6	1790034	RETRIEVER	1



SPHERICAL TAPERED SEAT VALVE KIT

<b>NOV NATIONAL OILWELL VARCO</b>			
HOUSTON, TEXAS U.S.A.		ENGINEERING, McALESTER, OKLAHOMA	
TITLE VALVE SERVICE KITS 200T-5 PLUNGER PUMP			
SIZE C	REFERENCE No.	DRAWING No. 1717967	REV A
SCALE 1/4	EST WT	SHEET 1 OF 1	

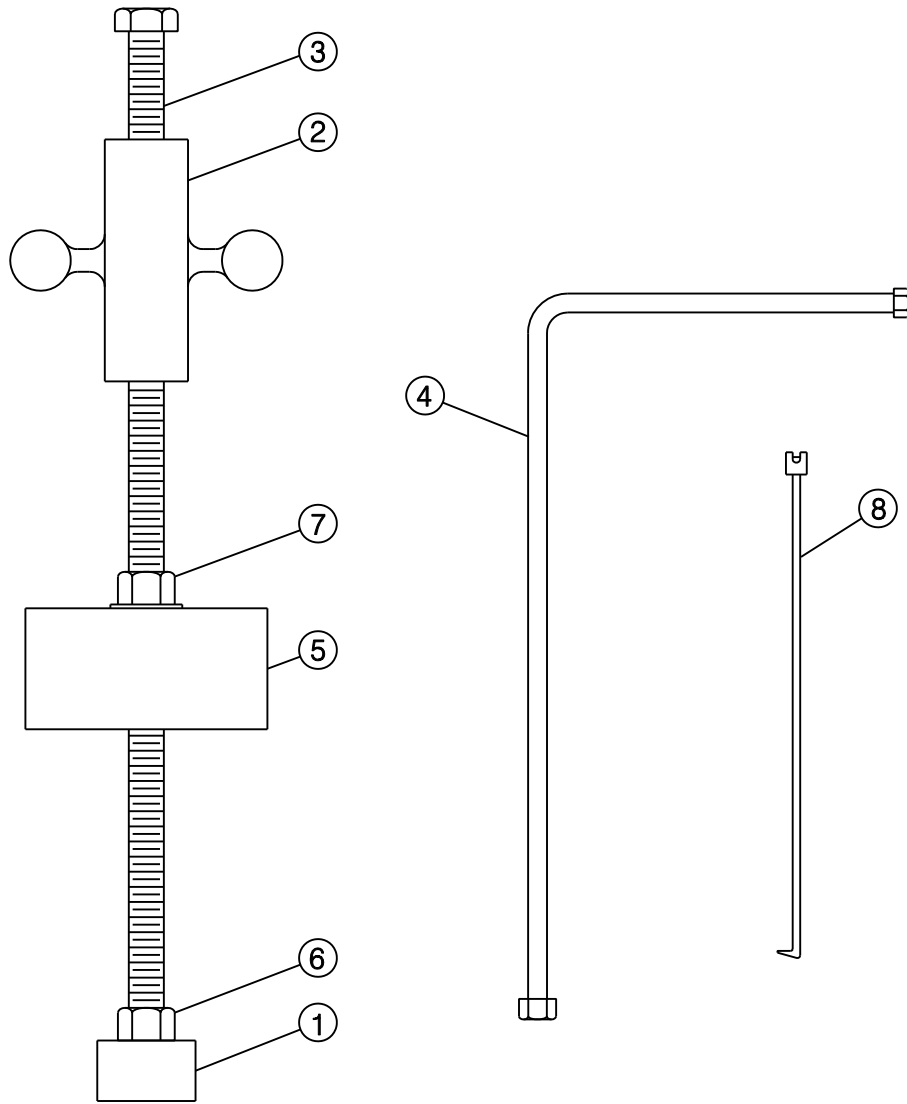
200T - 5L			
ITEM NO.	PART NO.	DESCRIPTION	QTY. REQ'D
	1794007	VALVE KIT CPT.	1
1	1794006	HEAD	1
2	1790080	BUMPER	1
3	1790081	BAR	1
4	1790082	WRENCH	1
5	1713109	SUPPORT	1
6	6300160	NUT	1
7	6314002	NUT	1
8	1790034	RETRIEVER	1

200T - 5M			
ITEM NO.	PART NO.	DESCRIPTION	QTY. REQ'D
	1793007	VALVE KIT CPT.	1
1	1793006	HEAD	1
2	1790080	BUMPER	1
3	1790081	BAR	1
4	1790082	WRENCH	1
5	1713109	SUPPORT	1
6	6300160	NUT	1
7	6314002	NUT	1
8	1790034	RETRIEVER	1

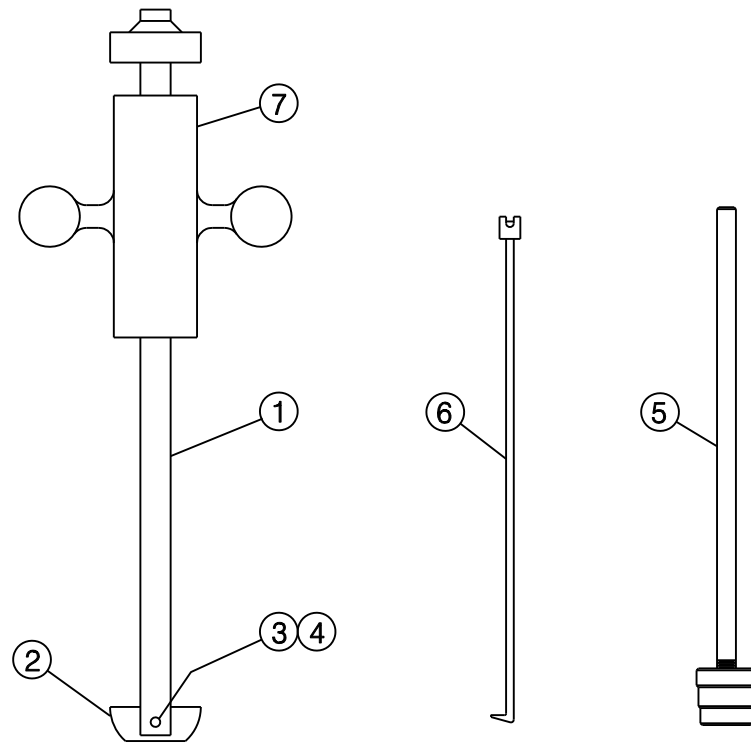
200T - 5M (MCA)			
ITEM NO.	PART NO.	DESCRIPTION	QTY. REQ'D
	1713068	VALVE KIT CPT.	1
	1713069	BAR CPT., INCL.	1
1	1713070	BAR	1
2	1713072	PLATE	1
3	6572018	PIN	1
4	6571218	PIN	1
5	1790043	DRIVER	1
6	1790034	RETRIEVER	1
7	1790080	BUMPER	1

200T - 5H (HCB)			
ITEM NO.	PART NO.	DESCRIPTION	QTY. REQ'D
	1713351	VALVE KIT CPT.	1
	1713352	BAR CPT., INCL.	1
1	1713070	BAR	1
2	1713353	PLATE	1
3	6572018	PIN	1
4	6571218	PIN	1
5	G-1790064	DRIVER	1
6	1790034	RETRIEVER	1
7	1790080	BUMPER	1

200T - 5PO /5HCA			
ITEM NO.	PART NO.	DESCRIPTION	QTY. REQ'D
	1712342	VALVE KIT CPT.	1
	1712242	BAR CPT., INCL.	1
1	1710250	BAR	1
2	1712263	PLATE	1
3	6572016	PIN	1
4	6571216	PIN	1
5	1790042	DRIVER	1
6	1790034	RETRIEVER	1
7	1790080	BUMPER	1



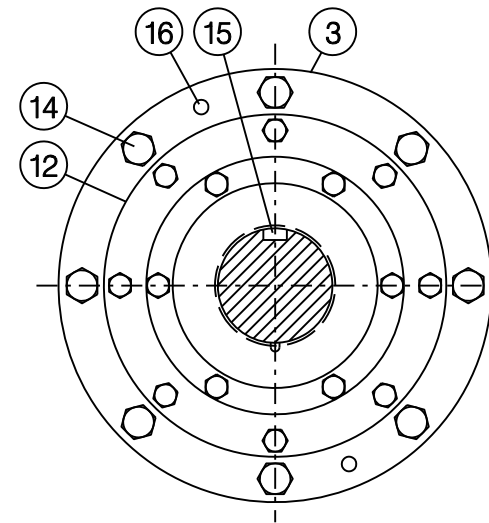
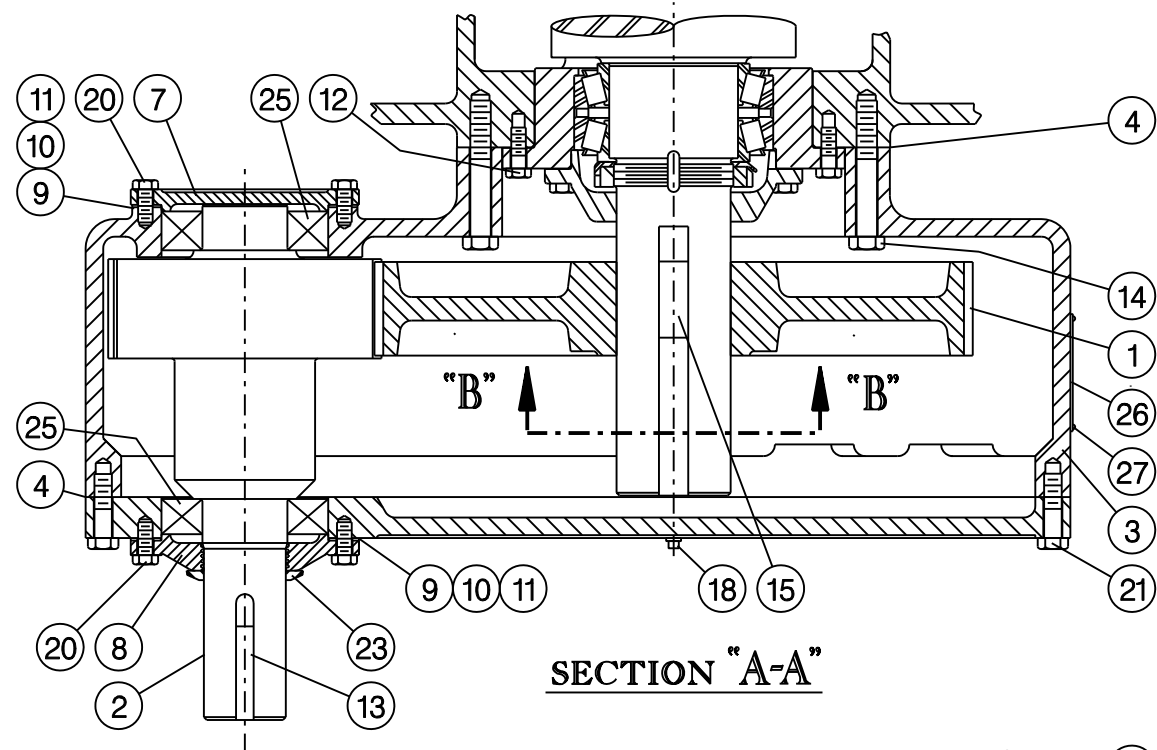
NATIONAL OILWELL VARCO TAPERED SEAT VALVE KIT



CAGE TYPE VALVE KIT  
(SPHERICAL, BOTTOM GUIDED, DISC, OR BALL)

9

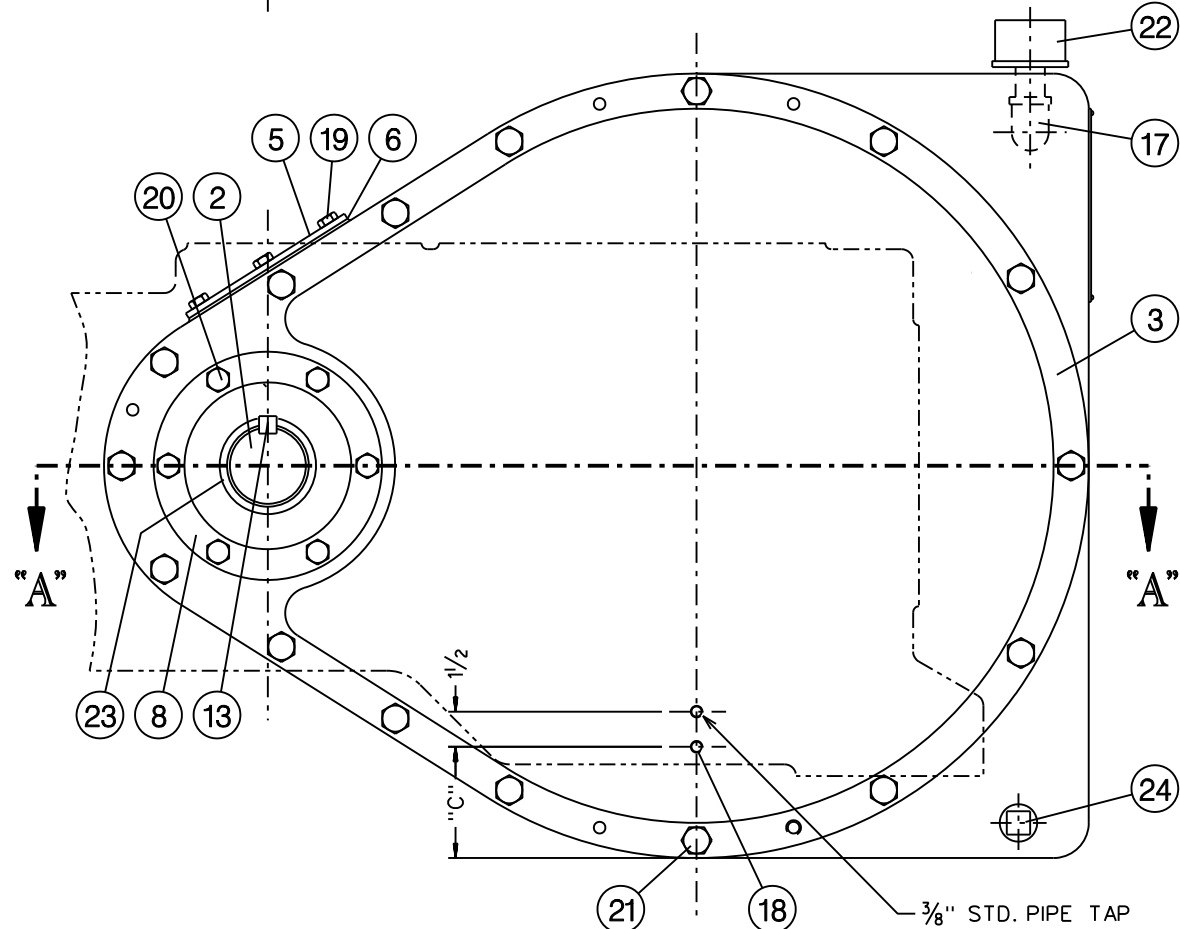
<b>NOV NATIONAL OILWELL VARCO</b>			
HOUSTON, TEXAS U.S.A.		ENGINEERING, McALESTER, OKLAHOMA	
TITLE			
VALVE SERVICE KITS			
200T-5 PLUNGER PUMP			
SIZE	REFERENCE No.	DRAWING No.	REV
C		1717968	
SCALE	EST WT	SHEET 1 OF 1	
1/4			



**SECTION "B-B"**

ITEM #1 REMOVED FOR CLARITY

**SECTION "A-A"**



1					7178025				SCREW, RD HD DRIVE #2 x 1/4"	27
1					1711606				PLATE, NAME & INSTRUCTION	26
2					ZT-3621				BEARING, PINION SHAFT	25
1					7815059				PLUG, MAGNETIC DRAIN 1/4"	24
1					1127523				EXCLUDER, BRG	23
1					7802020				CAP, BREATHER *S-183	22
16					7000443-11				SCREW, HEX HD CAP 3/4" x 2 3/4"	21
12					7000395-11				SCREW, HEX HD CAP 5/8" x 1 1/2"	20
4					7000206-11				SCREW, HEX HD CAP 3/8" x 3/4"	19
2					6874003				PLUG, STD PIPE 3/8"	18
1					6829008				ELBOW, STD 1" x 90° STREET	17
2					6581072				PIN, TAPER #10 x 4 1/2"	16
1					2403101				KEY, GEAR 1" x 1" x 3/4"	15
8					2405018				SCREW, HEX HD DRLD 7/8" x 4 1/2"	14
1					2402990				KEY, PINION 3/4" x 3/4" x 4"	13
1					1713621				RETAINER, CRANKSHAFT BRG	12
6					1713627				SHIM, BEARING RETAINER .007	11
6					1713625				SHIM, BEARING RETAINER .005	10
2					1713620				SHIM, BEARING RETAINER .020	9
1					1713605				CAP, H.S. PINION BRG OPEN	8
1					1713604				CAP, H.S. PINION BRG BLIND	7
1					1108210				GASKET, INSPECTION COVER	6
1					1108110				COVER, INSPECTION	5
1					7817200-68				GASKET, LOCTITE PLASTIC	4
1	1713682	1713622	1713602	1713602	1713602	1713602	1713602	1713602	HOUSING CPT, GEAR REDUCER	3
1	1713684	1713619	1713614	1713624	1713617	1713616	1713613	1713612	PINION	2
1	1713683	1713618	1713609	1713623	1713607	1713608	1713610	1713611	GEAR	1
QTY REQ'D	PART NO.	PART NO.	PART NO.	PART NO.	PART NO.	PART NO.	PART NO.	PART NO.	DESCRIPTION /MAT'L. /SPEC.	ITEM NO.
	1713637	G1713635	1713632	1713636	1713634	1713633	1713631	1713630		
	5.63 RATIO	4.84 RATIO	4.38 RATIO	3.69 RATIO	3.36 RATIO	3.25 RATIO	2.89 RATIO	2.27 RATIO		

**GEAR REDUCER ASSY. COMPLETE BILL OF MATERIAL No.'s**

**LIST OF MATERIAL**

**OIL LEVEL LOCATION**

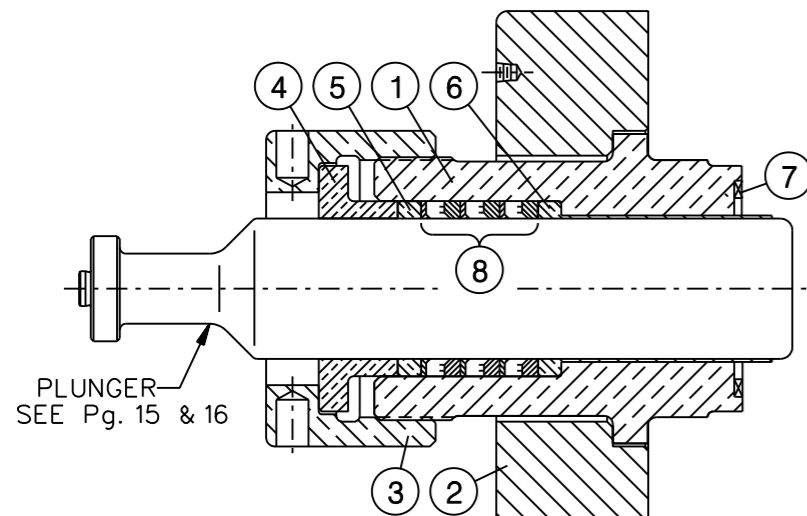
GEAR RED. CPT. / RATIO	"C"
1713630 / 2.27	4 3/4
1713631 / 2.89	3 3/4
1713633 / 3.25	3 1/2
1713634 / 3.36	3 1/2
1713636 / 3.69	2 1/2
1713632 / 4.38	2 1/2
G1713635 / 4.84	2 1/2
1713637 / 5.63	2 1/2



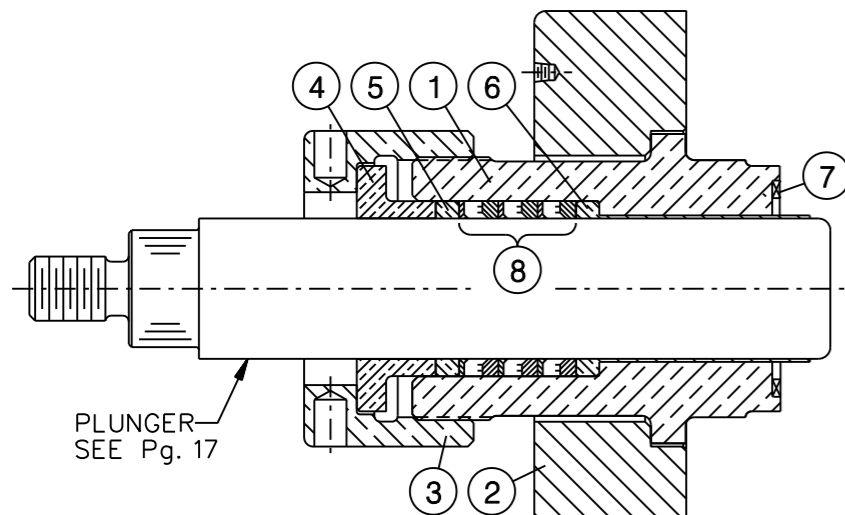
TITLE  
**GEAR REDUCER ASSEMBLY  
200T-5 PLUNGER PUMP**

SIZE <b>B</b>	REFERENCE No.	DRAWING No. <b>1717969</b>	REV
SCALE <b>1/8</b>	EST WT	SHEET <b>1 OF 1</b>	

10



200T- 5L & 5M PLUNGER KIT WITH CLAMPED PLUNGER



200T- 5L & 5M PLUNGER KIT WITH THREADED PLUNGER

QTY REQ'D	PART NO.	DESCRIPTION	ITEM NO.
1	6422338	2 3/4" - 850-N UNIVERSAL PACKING	8
1	6422340	3" - 850-N UNIVERSAL PACKING	
1	6422342	3 1/4" - 850-N UNIVERSAL PACKING	
1	6422343	3 1/2" - 850-N UNIVERSAL PACKING	
1	6422345	3 3/4" - 850-N UNIVERSAL PACKING	
1	6422346	4" - 850-N UNIVERSAL PACKING	
1	2410031-347	SEAL, STUFFING BOX	7
1	1712513	2 3/4" SLEEVE WASHER	6
1	1712514	3" SLEEVE WASHER	
1	1712515	3 1/4" SLEEVE WASHER	
1	1712516	3 1/2" SLEEVE WASHER	
1	1712517	3 3/4" SLEEVE WASHER	
1	1712518	4" SLEEVE WASHER	
2	1712095	2 3/4" WASHER	5
2	1712096	3" WASHER	
2	1712097	3 1/4" WASHER	
2	1712098	3 1/2" WASHER	
2	1712099	3 3/4" WASHER	
2	1712100	4" WASHER	
1	1712089	2 3/4" GLAND	4
1	1712090	3" GLAND	
1	1712091	3 1/4" GLAND	
1	1712092	3 1/2" GLAND	
1	1712093	3 3/4" GLAND	
1	1712094	4" GLAND	
1	1712065	NUT, ADJUSTING	3
1	1716034	RETAINER, STUFFING BOX	2
1	1716078-2	2 3/4" PLG'R x 3 3/4" BORE STUFFING BOX	1
1	1716078-2	3" PLG'R x 3 3/4" BORE STUFFING BOX	
1	1716079-2	3 1/4" PLG'R x 4 1/4" BORE STUFFING BOX	
1	1716079-2	3 1/2" PLG'R x 4 1/4" BORE STUFFING BOX	
1	1716080-2	3 3/4" PLG'R x 4 3/4" BORE STUFFING BOX	
1	1716080-2	4" PLG'R x 4 3/4" BORE STUFFING BOX	

LIST OF MATERIAL

200T- 5L PLUNGER KIT

QTY REQ'D	PART NO.	DESCRIPTION	ITEM NO.
1	6422324	2" - 850-N UNIVERSAL PACKING	8
1	6422326	2 1/8" - 850-N UNIVERSAL PACKING	
1	6422329	2 1/4" - 850-N UNIVERSAL PACKING	
1	6422359	2 3/8" - 850-N UNIVERSAL PACKING	
1	6422333	2 1/2" - 850-N UNIVERSAL PACKING	
1	6422335	2 5/8" - 850-N UNIVERSAL PACKING	
1	6422337	2 3/4" - 850-N UNIVERSAL PACKING	7
1	2410031-342	SEAL, STUFFING BOX	
1	1712506	2" SLEEVE WASHER	6
1	1712503	2 1/8" SLEEVE WASHER	
1	1712507	2 1/4" SLEEVE WASHER	
1	1716092-2	2 3/8" SLEEVE WASHER	
1	1716095-2	2 1/2" SLEEVE WASHER	
1	1713058	2 5/8" SLEEVE WASHER	
1	1712509	2 3/4" SLEEVE WASHER	5
2	1712057	2" WASHER	
2	1712333	2 1/8" WASHER	
2	1712058	2 1/4" WASHER	
2	1716091-2	2 3/8" WASHER	
2	1716094-2	2 1/2" WASHER	
2	1713057	2 5/8" WASHER	4
2	1712060	2 3/4" WASHER	
1	1712051	2" GLAND	
1	1712332	2 1/8" GLAND	
1	1712052	2 1/4" GLAND	
1	1716090-2	2 3/8" GLAND	
1	1716093-2	2 1/2" GLAND	3
1	1713056	2 5/8" GLAND	
1	1712054	2 3/4" GLAND	
1	1712025	NUT, ADJUSTING	
1	1716034	RETAINER, STUFFING BOX	
1	1716075-2	2" PLG'R x 3" BORE STUFFING BOX	
1	1716075-2	2 1/8" PLG'R x 3" BORE STUFFING BOX	2
1	1716075-2	2 1/4" PLG'R x 3" BORE STUFFING BOX	
1	1716076-2	2 3/8" PLG'R x 3 1/4" BORE STUFFING BOX	
1	1716076-2	2 1/2" PLG'R x 3 1/4" BORE STUFFING BOX	
1	1716077-2	2 5/8" PLG'R x 3 1/2" BORE STUFFING BOX	
1	1716077-2	2 3/4" PLG'R x 3 1/2" BORE STUFFING BOX	

LIST OF MATERIAL

200T- 5M PLUNGER KIT

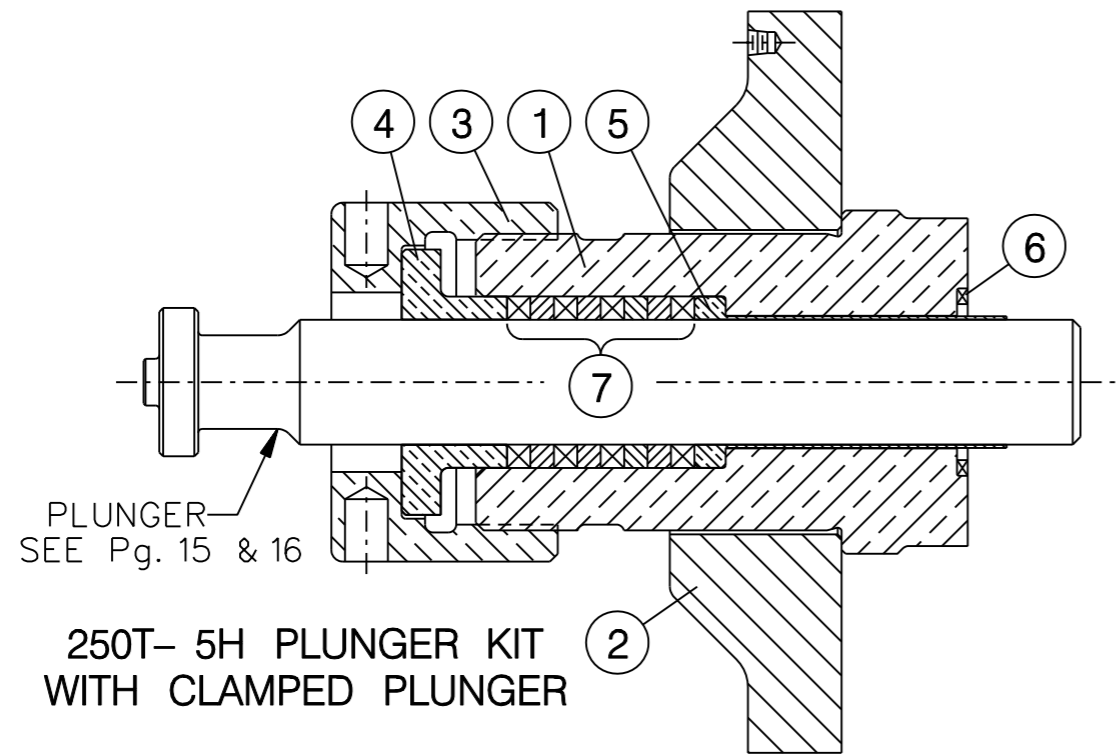


TITLE  
ASSEMBLY, PLUNGER KIT  
200T-5L & 5M TRIPLEX PUMP

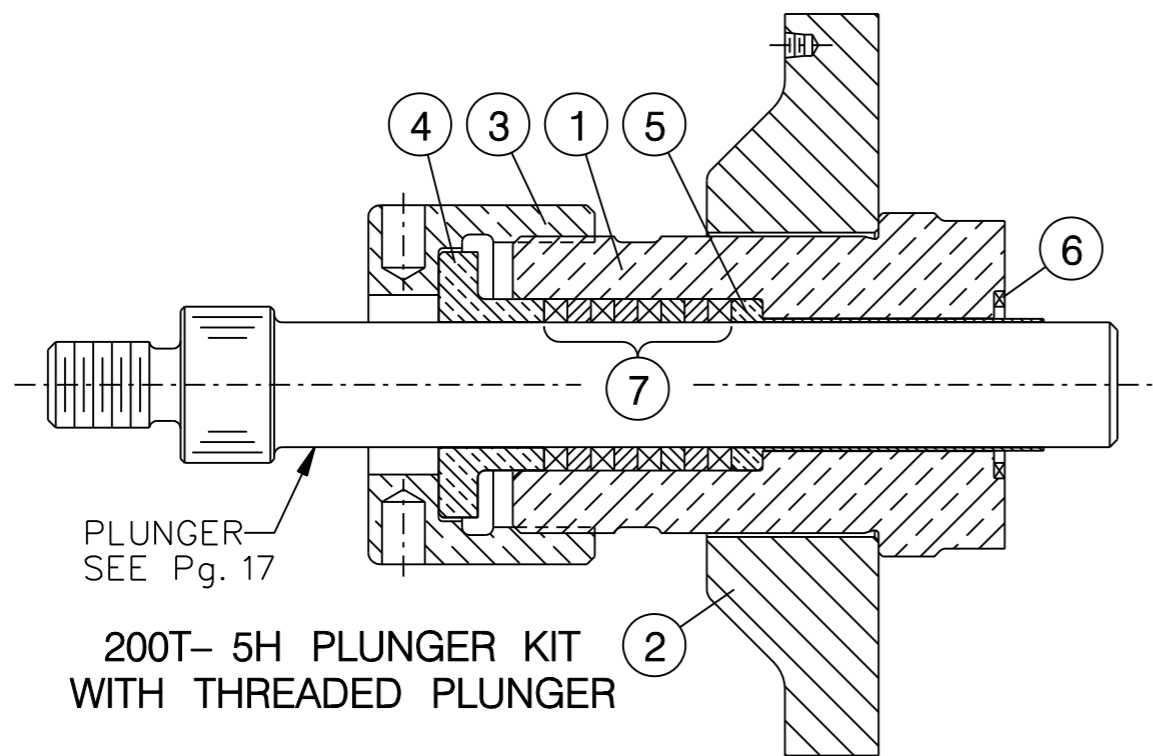
SIZE B REFERENCE No. DRAWING No. 1717970 REV

6 USE ONLY WITH CERAMIC PLUNGER.  
REPLACE ONE OF ITEM \*5 WITH ITEM \*6

SCALE 1/4 EST WT SHEET 1 OF 1



250T- 5H PLUNGER KIT  
WITH CLAMPED PLUNGER



200T- 5H PLUNGER KIT  
WITH THREADED PLUNGER

QTY REQ'D	PART NO.	DESCRIPTION	ITEM NO.
1	6420459	1/2" - 1045 UNIVERSAL PACKING	7
1	6420460	15/8" - 1045 UNIVERSAL PACKING	
1	6420461	13/4" - 1045 UNIVERSAL PACKING	
1	6420462	17/8" - 1045 UNIVERSAL PACKING	
1	6420463	2" - 1045 UNIVERSAL PACKING	
1	2410031-334	SEAL, STUFFING BOX	6
1	1712498	1/2" SLEEVE WASHER	5
1	1712499	15/8" SLEEVE WASHER	
1	1712552	13/4" SLEEVE WASHER	
1	1713101-2	17/8" SLEEVE WASHER	
1	1712554	2" SLEEVE WASHER	
1	1712049	1/2" GLAND	4
1	1712159	15/8" GLAND	
1	1712050	13/4" GLAND	
1	1713100-2	17/8" GLAND	
1	1712527	2" GLAND	
1	1712025	NUT, ADJUSTING	3
1	1713304-1	RETAINER, STUFFING BOX	2
1	1716070-2	1/2" PLG'R x 2 1/2" BORE STUFFING BOX	1
1	1716070-2	15/8" PLG'R x 2 1/2" BORE STUFFING BOX	
1	1716070-2	13/4" PLG'R x 2 1/2" BORE STUFFING BOX	
1	1716071-2	17/8" PLG'R x 2 3/4" BORE STUFFING BOX	
1	1716071-2	2" PLG'R x 2 3/4" BORE STUFFING BOX	
QTY REQ'D	PART NO.	DESCRIPTION	ITEM NO.

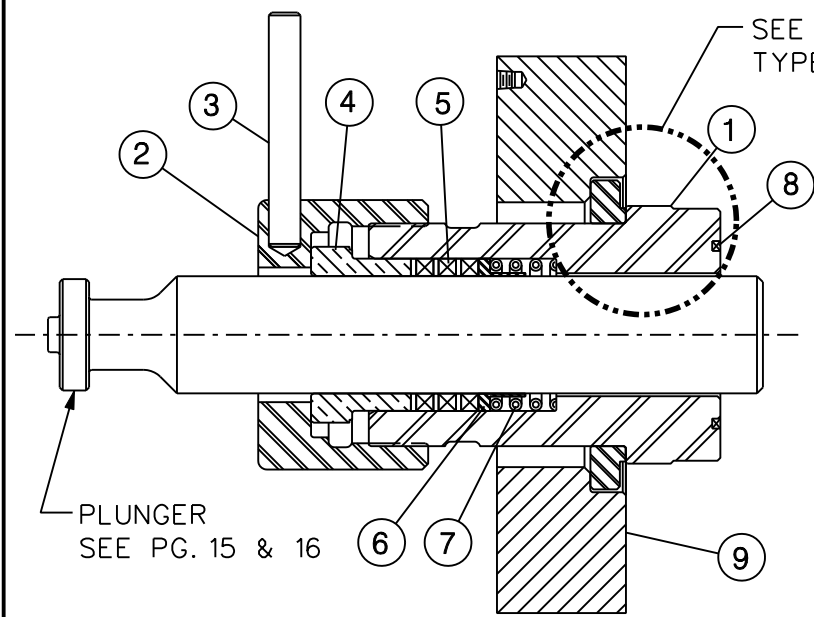
LIST OF MATERIAL



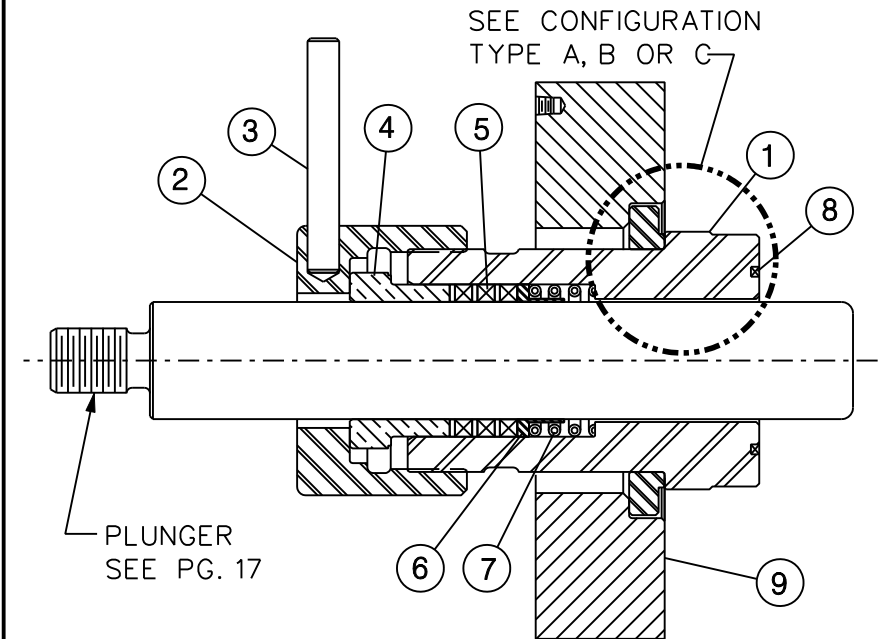
TITLE  
ASSEMBLY, PLUNGER KIT  
200T-5H TRIPLEX PUMP

SIZE B	REFERENCE No.	DRAWING No. 1717971	REV
SCALE 1/3	EST WT	SHEET 1 OF 1	

5 USE ONLY WITH CERAMIC PLUNGER

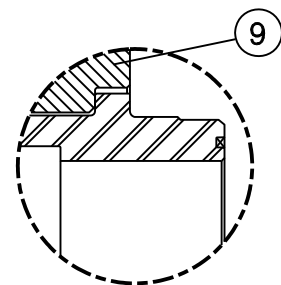


200T- 5L & 5M PLUNGER KIT WITH CLAMPED PLUNGER

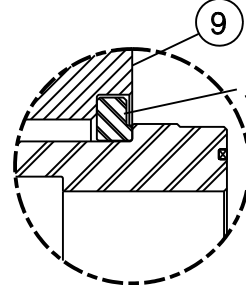


200T- 5L & 5M PLUNGER KIT WITH THREADED PLUNGER

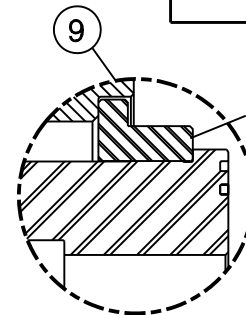
PLUNGER SIZE	RETAINER/ADAPTER CONFIG. SEE DETAIL FOR TYPE
2"	TYPE C
2 1/8"	TYPE C
2 1/4"	TYPE B
2 3/8"	TYPE B
2 1/2"	TYPE B
2 5/8"	TYPE B
2 3/4"	TYPE B
3"	TYPE B
3 1/4"	TYPE A
3 1/2"	TYPE A
3 3/4"	TYPE A
4"	TYPE A



TYPE A - 200T - 5L



TYPE B - 200T - 5L & M



TYPE C - 200T - 5M

⚠ 2" STUFFING BOX P/N L342-908 IS CUT WITH AN EXTRA SEAL GROOVE. USE BOTH SEALS.

QTY REQ'D	PART NO.	DESCRIPTION	ITEM NO.
1	1716034	RETAINER, STUFFING BOX	9
1	2410031-347	SEAL, STUFFING BOX	8
1	342-008	3" & 2 3/4" SPRING	7
1	342-007	3 1/2" & 3 1/4" SPRING	7
1	342-269	4" & 3 3/4" SPRING	7
1	342-014	2 3/4" FOLLOWER	6
1	342-015	3" FOLLOWER	6
1	342-009	3 1/4" FOLLOWER	6
1	342-028	3 1/2" FOLLOWER	6
1	342-359	3 3/4" FOLLOWER	6
1	342-360	4" FOLLOWER	6
1	342-018	2 3/4" KEVLAR PACKING	5
1	342-019	3" KEVLAR PACKING	5
1	342-016	3 1/4" KEVLAR PACKING	5
1	342-017	3 1/2" KEVLAR PACKING	5
1	342-757	3 3/4" KEVLAR PACKING	5
1	342-758	4" KEVLAR PACKING	5
1	342-022	2 3/4" GLAND	4
1	342-023	3" GLAND	4
1	342-020	3 1/4" GLAND	4
1	342-021	3 1/2" GLAND	4
1	342-127	3 3/4" GLAND	4
1	342-128	4" GLAND	4
1	342-930	PIN	3
1	342-928	3" & 2 3/4" NUT	2
1	342-927	3 1/2" & 3 1/4" NUT	2
1	342-962	4" & 3 3/4" NUT	2
1	342-924	2 3/4" PLG'R x 3 3/4" BORE STUFFING BOX	1
1	342-924	3" PLG'R x 3 3/4" BORE STUFFING BOX	1
1	342-923	3 1/4" PLG'R x 4 1/4" BORE STUFFING BOX	1
1	342-923	3 1/2" PLG'R x 4 1/4" BORE STUFFING BOX	1
1	342-953	3 3/4" PLG'R x 4 3/4" BORE STUFFING BOX	1
1	342-953	4" PLG'R x 4 3/4" BORE STUFFING BOX	1

LIST OF MATERIAL

200T - 5L PLUNGER KIT

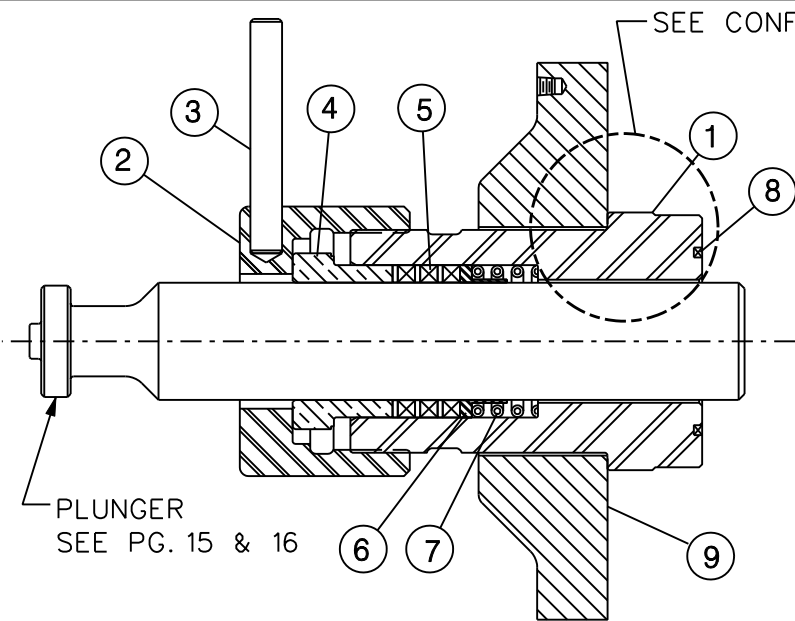
QTY REQ'D	PART NO.	DESCRIPTION	ITEM NO.
1	1716034	RETAINER, STUFFING BOX	9
1	2410031-342	2" SEAL, STUFFING BOX	8
1	2410031-334	2" SEAL, STUFFING BOX	8
1	2410031-342	2 5/8", 2 1/2", 2 3/8", 2 1/4" & 2 1/8" SEAL, STF. BOX	8
1	2410031-347	2 3/4" SEAL, STUFFING BOX	8
1	L342-260	2 1/8" & 2" SPRING	7
1	342-000	2 1/2", 2 3/8" & 2 1/4" SPRING	7
1	342-270	2 5/8" SPRING	7
1	342-008	2 3/4" SPRING	7
1	L342-368	2" FOLLOWER	6
1	342-353	2 1/8" FOLLOWER	6
1	342-001	2 1/4" FOLLOWER	6
1	342-354	2 3/8" FOLLOWER	6
1	342-002	2 1/2" FOLLOWER	6
1	342-355	2 5/8" FOLLOWER	6
1	342-014	2 3/4" FOLLOWER	6
1	342-768	2" KEVLAR PACKING	5
1	342-751	2 1/8" KEVLAR PACKING	5
1	342-003	2 1/4" KEVLAR PACKING	5
1	342-752	2 3/8" KEVLAR PACKING	5
1	342-004	2 1/2" KEVLAR PACKING	5
1	342-753	2 5/8" KEVLAR PACKING	5
1	324-018	2 3/4" KEVLAR PACKING	5
1	L342-168	2" GLAND	4
1	342-121	2 1/8" GLAND	4
1	342-005	2 1/4" GLAND	4
1	342-122	2 3/8" GLAND	4
1	342-006	2 1/2" GLAND	4
1	342-123	2 5/8" GLAND	4
1	342-022	2 3/4" GLAND	4
1	342-914	2 1/8" & 2" PIN	3
1	342-930	2 3/4", 2 5/8", 2 1/2", 2 3/8" & 2 1/4" PIN	3
1	L342-913	2 1/8" & 2" NUT	2
1	342-916	2 1/2", 2 3/8" & 2 1/4" NUT	2
1	342-928	2 3/4" & 2 5/8" NUT	2
1	L342-908	2" PLG'R x 2 3/4" BORE STUFFING BOX	1
1	342-948	2 1/8" PLG'R x 2 7/8" BORE STUFFING BOX	1
1	342-915	2 1/4" PLG'R x 3 1/4" BORE STUFFING BOX	1
1	342-915	2 3/8" PLG'R x 3 1/4" BORE STUFFING BOX	1
1	342-915	2 1/2" PLG'R x 3 1/4" BORE STUFFING BOX	1
1	342-952	2 5/8" PLG'R x 3 5/8" BORE STUFFING BOX	1
1	342-924	2 3/4" PLG'R x 3 3/4" BORE STUFFING BOX	1

LIST OF MATERIAL

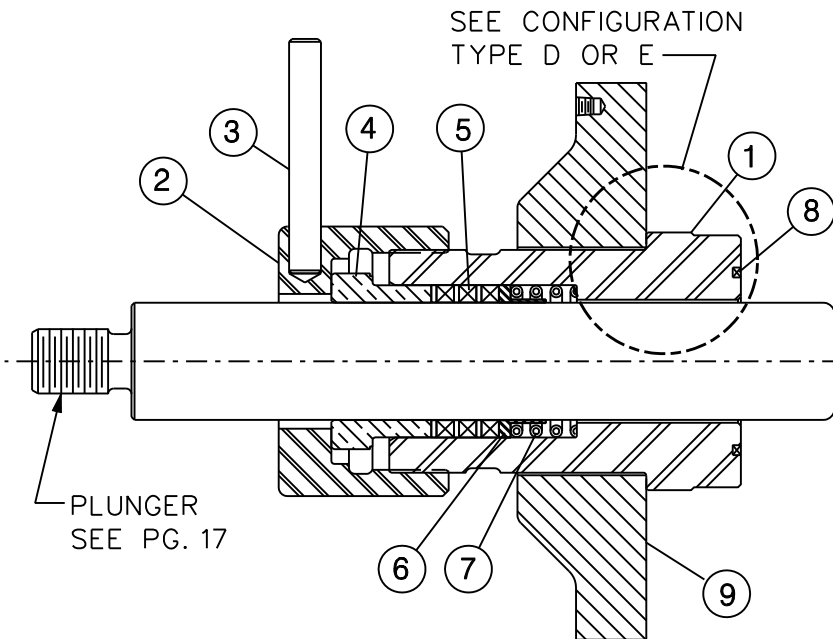
200T - 5M PLUNGER KIT



TITLE ASSEMBLY, SS PLUNGER KITS WITH KEVLAR PACKING 200T-5L/5M TRIPLEX PUMP			
SIZE B	REFERENCE No.	DRAWING No. 1717972	REV
SCALE 1 / 4	EST WT	SHEET 1 OF 1	



200T- 5L, 5M & 5H PLUNGER KIT WITH CLAMPED PLUNGER



200T- 5L, 5M & 5H PLUNGER KIT WITH THREADED PLUNGER

QTY REQ'D	PART NO.	DESCRIPTION	ITEM NO.
1	1713304-1	RETAINER, STUFFING BOX	9
1	2410031-334	SEAL, STUFFING BOX	8
1	L342-240	1 3/4", 1 5/8" & 1 1/2" SPRING	7
1	L342-260	2" & 1 7/8" SPRING	6
1	L342-344	1 1/2" FOLLOWER	5
1	L342-345	1 5/8" FOLLOWER	4
1	L342-346	1 3/4" FOLLOWER	3
1	L342-367	1 7/8" FOLLOWER	2
1	L342-368	2" FOLLOWER	1
1	L342-744	1 1/2" KEVLAR PACKING	
1	L342-745	1 5/8" KEVLAR PACKING	
1	L342-746	1 3/4" KEVLAR PACKING	
1	L342-767	1 7/8" KEVLAR PACKING	
1	342-768	2" KEVLAR PACKING	
1	L342-544	1 1/2" GLAND	
1	L342-545	1 5/8" GLAND	
1	L342-546	1 3/4" GLAND	
1	L342-167	1 7/8" GLAND	
1	L342-168	2" GLAND	
1	342-914	PIN	
1	L342-913	NUT	
1	342-919	1 1/2" PLG'R x 2 1/2" BORE STUFFING BOX	
1	342-919	1 5/8" PLG'R x 2 1/2" BORE STUFFING BOX	
1	342-919	1 3/4" PLG'R x 2 1/2" BORE STUFFING BOX	
1	L342-908	1 7/8" PLG'R x 2 3/4" BORE STUFFING BOX	
1	L342-908	2" PLG'R x 2 3/4" BORE STUFFING BOX	

200T- 5H PLUNGER KIT

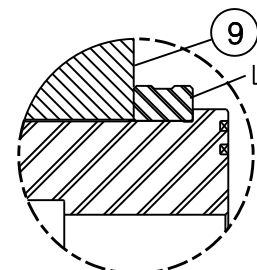
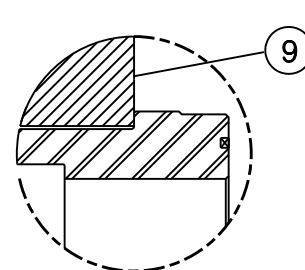
QTY REQ'D	PART NO.	DESCRIPTION	ITEM NO.
1	1713304-1	RETAINER, STUFFING BOX	9
1	2410031-347	SEAL, STUFFING BOX	8
1	342-008	3" & 2 3/4" SPRING	7
1	342-014	2 3/4" FOLLOWER	6
1	342-015	3" FOLLOWER	5
1	342-018	2 3/4" KEVLAR PACKING	4
1	342-019	3" KEVLAR PACKING	3
1	342-022	2 3/4" GLAND	2
1	342-023	3" GLAND	1
1	342-930	PIN	
1	342-928	NUT	
1	342-924	2 3/4" PLG'R x 3 3/4" BORE STUFFING BOX	
1	342-924	3" PLG'R x 3 3/4" BORE STUFFING BOX	

200T- 5L PLUNGER KIT

QTY REQ'D	PART NO.	DESCRIPTION	ITEM NO.
1	1713304-1	RETAINER, STUFFING BOX	9
1	2410031-342	2 5/8", 2 1/2", 2 3/8", 2 1/4", 2 1/8" & 2" SEAL, STF. BOX	8
1	2410031-347	2 3/4" SEAL, STUFFING BOX	7
1	L342-260	2 1/8" & 2" SPRING	6
1	342-000	2 1/2", 2 3/8" & 2 1/4" SPRING	5
1	342-270	2 5/8" SPRING	4
1	342-008	2 3/4" SPRING	3
1	L342-368	2" FOLLOWER	2
1	342-353	2 1/8" FOLLOWER	1
1	342-001	2 1/4" FOLLOWER	
1	342-354	2 3/8" FOLLOWER	
1	342-002	2 1/2" FOLLOWER	
1	342-355	2 5/8" FOLLOWER	
1	342-014	2 3/4" FOLLOWER	
1	342-768	2" KEVLAR PACKING	
1	342-751	2 1/8" KEVLAR PACKING	
1	342-003	2 1/4" KEVLAR PACKING	
1	342-752	2 3/8" KEVLAR PACKING	
1	342-004	2 1/2" KEVLAR PACKING	
1	342-753	2 5/8" KEVLAR PACKING	
1	324-018	2 3/4" KEVLAR PACKING	
1	L342-168	2" GLAND	
1	342-121	2 1/8" GLAND	
1	342-005	2 1/4" GLAND	
1	342-122	2 3/8" GLAND	
1	342-006	2 1/2" GLAND	
1	342-123	2 5/8" GLAND	
1	342-022	2 3/4" GLAND	
1	342-914	2 1/8" & 2" PIN	
1	342-930	2 3/4", 2 5/8", 2 1/2", 2 3/8" & 2 1/4" PIN	
1	L342-913	2 1/8" & 2" NUT	
1	342-916	2 1/2", 2 3/8" & 2 1/4" NUT	
1	342-928	2 3/4" & 2 5/8" NUT	
1	L342-908	2" PLG'R x 2 3/4" BORE STUFFING BOX	
1	342-948	2 1/8" PLG'R x 2 7/8" BORE STUFFING BOX	
1	342-915	2 1/4" PLG'R x 3 1/4" BORE STUFFING BOX	
1	342-915	2 3/8" PLG'R x 3 1/4" BORE STUFFING BOX	
1	342-915	2 1/2" PLG'R x 3 1/4" BORE STUFFING BOX	
1	342-952	2 5/8" PLG'R x 3 5/8" BORE STUFFING BOX	
1	342-924	2 3/4" PLG'R x 3 3/4" BORE STUFFING BOX	

TYPE D - 200T- 5L & M

TYPE E - 200T- 5M & 5H



QTY REQ'D	PART NO.	DESCRIPTION	ITEM NO.
1	1713304-1	RETAINER, STUFFING BOX	9
1	2410031-342	2 5/8", 2 1/2", 2 3/8", 2 1/4", 2 1/8" & 2" SEAL, STF. BOX	8
1	2410031-347	2 3/4" SEAL, STUFFING BOX	7
1	L342-260	2 1/8" & 2" SPRING	6
1	342-000	2 1/2", 2 3/8" & 2 1/4" SPRING	5
1	342-270	2 5/8" SPRING	4
1	342-008	2 3/4" SPRING	3
1	L342-368	2" FOLLOWER	2
1	342-353	2 1/8" FOLLOWER	1
1	342-001	2 1/4" FOLLOWER	
1	342-354	2 3/8" FOLLOWER	
1	342-002	2 1/2" FOLLOWER	
1	342-355	2 5/8" FOLLOWER	
1	342-014	2 3/4" FOLLOWER	
1	342-768	2" KEVLAR PACKING	
1	342-751	2 1/8" KEVLAR PACKING	
1	342-003	2 1/4" KEVLAR PACKING	
1	342-752	2 3/8" KEVLAR PACKING	
1	342-004	2 1/2" KEVLAR PACKING	
1	342-753	2 5/8" KEVLAR PACKING	
1	324-018	2 3/4" KEVLAR PACKING	
1	L342-168	2" GLAND	
1	342-121	2 1/8" GLAND	
1	342-005	2 1/4" GLAND	
1	342-122	2 3/8" GLAND	
1	342-006	2 1/2" GLAND	
1	342-123	2 5/8" GLAND	
1	342-022	2 3/4" GLAND	
1	342-914	2 1/8" & 2" PIN	
1	342-930	2 3/4", 2 5/8", 2 1/2", 2 3/8" & 2 1/4" PIN	
1	L342-913	2 1/8" & 2" NUT	
1	342-916	2 1/2", 2 3/8" & 2 1/4" NUT	
1	342-928	2 3/4" & 2 5/8" NUT	
1	L342-908	2" PLG'R x 2 3/4" BORE STUFFING BOX	
1	342-948	2 1/8" PLG'R x 2 7/8" BORE STUFFING BOX	
1	342-915	2 1/4" PLG'R x 3 1/4" BORE STUFFING BOX	
1	342-915	2 3/8" PLG'R x 3 1/4" BORE STUFFING BOX	
1	342-915	2 1/2" PLG'R x 3 1/4" BORE STUFFING BOX	
1	342-952	2 5/8" PLG'R x 3 5/8" BORE STUFFING BOX	
1	342-924	2 3/4" PLG'R x 3 3/4" BORE STUFFING BOX	

200T - 5M PLUNGER KIT

QTY REQ'D	PART NO.	DESCRIPTION	ITEM NO.
1	1713304-1	RETAINER, STUFFING BOX	9
1	2410031-342	2 5/8", 2 1/2", 2 3/8", 2 1/4", 2 1/8" & 2" SEAL, STF. BOX	8
1	2410031-347	2 3/4" SEAL, STUFFING BOX	7
1	L342-260	2 1/8" & 2" SPRING	6
1	342-000	2 1/2", 2 3/8" & 2 1/4" SPRING	5
1	342-270	2 5/8" SPRING	4
1	342-008	2 3/4" SPRING	3
1	L342-368	2" FOLLOWER	2
1	342-353	2 1/8" FOLLOWER	1
1	342-001	2 1/4" FOLLOWER	
1	342-354	2 3/8" FOLLOWER	
1	342-002	2 1/2" FOLLOWER	
1	342-355	2 5/8" FOLLOWER	
1	342-014	2 3/4" FOLLOWER	
1	342-768	2" KEVLAR PACKING	
1	342-751	2 1/8" KEVLAR PACKING	
1	342-003	2 1/4" KEVLAR PACKING	
1	342-752	2 3/8" KEVLAR PACKING	
1	342-004	2 1/2" KEVLAR PACKING	
1	342-753	2 5/8" KEVLAR PACKING	
1	324-018	2 3/4" KEVLAR PACKING	
1	L342-168	2" GLAND	
1	342-121	2 1/8" GLAND	
1	342-005	2 1/4" GLAND	
1	342-122	2 3/8" GLAND	
1	342-006	2 1/2" GLAND	
1	342-123	2 5/8" GLAND	
1	342-022	2 3/4" GLAND	
1	342-914	2 1/8" & 2" PIN	
1	342-930	2 3/4", 2 5/8", 2 1/2", 2 3/8" & 2 1/4" PIN	
1	L342-913	2 1/8" & 2" NUT	
1	342-916	2 1/2", 2 3/8" & 2 1/4" NUT	
1	342-928	2 3/4" & 2 5/8" NUT	
1	L342-908	2" PLG'R x 2 3/4" BORE STUFFING BOX	
1	342-948	2 1/8" PLG'R x 2 7/8" BORE STUFFING BOX	
1	342-915	2 1/4" PLG'R x 3 1/4" BORE STUFFING BOX	
1	342-915	2 3/8" PLG'R x 3 1/4" BORE STUFFING BOX	
1	342-915	2 1/2" PLG'R x 3 1/4" BORE STUFFING BOX	
1	342-952	2 5/8" PLG'R x 3 5/8" BORE STUFFING BOX	
1	342-924	2 3/4" PLG'R x 3 3/4" BORE STUFFING BOX	

PLUNGER SIZE	RETAINER/ADAPTER CONFIG. SEE DETAIL FOR TYPE
1 1/2"	TYPE E
1 5/8"	TYPE E
1 3/4"	TYPE E
1 7/8"	TYPE E
2"	TYPE E
2 1/8"	TYPE E
2 1/4"	TYPE D
2 3/8"	TYPE D
2 1/2"	TYPE D
2 5/8"	TYPE D
2 3/4"	TYPE D
3"	TYPE D

**NOV NATIONAL OILWELL VARCO**

TITLE: ASSEMBLY, SS PLUNGER KITS WITH KEVLAR PACKING  
200T-5L/5M/5H TRIPLEX PUMP

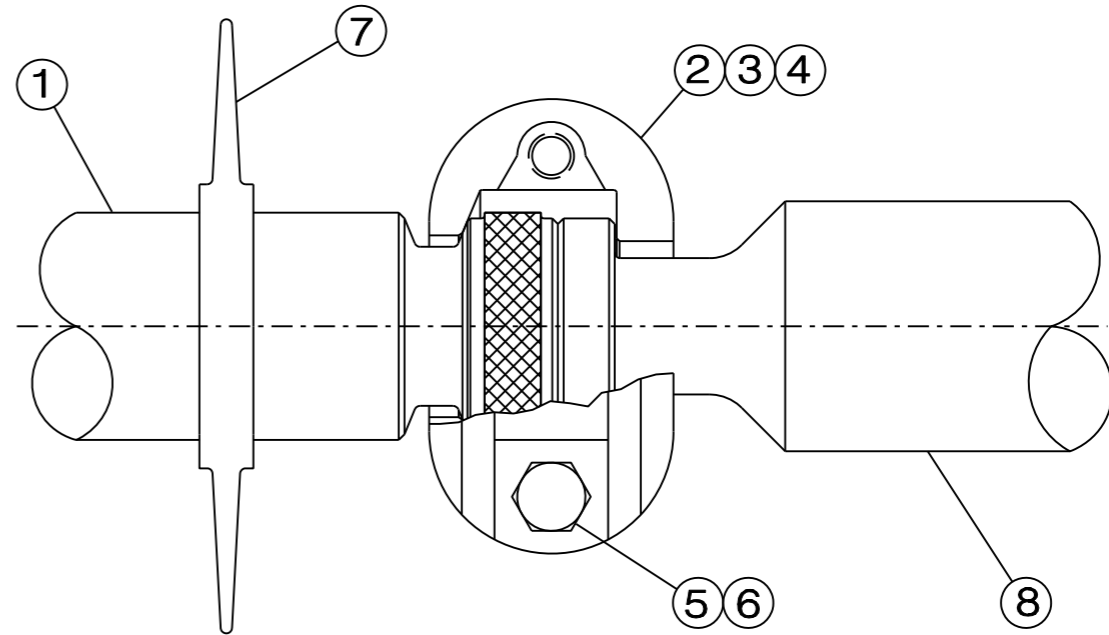
SIZE: B REFERENCE No. DRAWING No. 1717973 REV

SCALE: 1/4 EST WT SHEET 1 OF 1



**BILL OF MATERIAL**

ITEM	PART NO.	DESCRIPTION
1	340-019	INTERMEDIATE ROD STAINLESS
2	1716037	CLAMP CPT.
3	1716035	BOLT HALF
4	1716036	THREAD HALF
5	700031211	SCREW, H.H. CAP
6	7616050	WASHER, SPRING LOCK
7	1717016	BAFFLE, INTERMEDIATE ROD



**STRAIGHT / TAPER CLAMP**

PLUNGERS FOR STRAIGHT / TAPER CLAMPS

**200T – 5L**

ITEM	*PART NO.*	PART NO.	DESCRIPTION
8	1716166	340-204	4" CARBIDE PLUNGER
	1716165	340-203	3-3/4 " CARBIDE PLUNGER
	1716164	340-010	3-1/2 " CARBIDE PLUNGER
	1716163	340-004	3-1/4 " CARBIDE PLUNGER
	1716162	340-012	3" CARBIDE PLUNGER
	1716160	340-011	2-3/4 " CARBIDE PLUNGER

**200T – 5M**

1716160	340-011	2-3/4" CARBIDE PLUNGER
1716159	340-202	2-5/8 " CARBIDE PLUNGER
1716158	340-150	2-1/2 " CARBIDE PLUNGER
1716157	340-201	2-3/8 " CARBIDE PLUNGER
1716156	340-149	2-1/4" CARBIDE PLUNGER
1716155	340-200	2-1/8 " CARBIDE PLUNGER
1716154	L340-148	2" CARBIDE PLUNGER

**200T – 5H**

1716154	L340-148	2" CARBIDE PLUNGER
1716153	L340-147	1-7/8 " CARBIDE PLUNGER
1716152	L340-146	1-3/4 " CARBIDE PLUNGER
1716151	340-145	1-5/8 " CARBIDE PLUNGER
1716150	340-144	1-1/2" CARBIDE PLUNGER

PLUNGERS FOR STRAIGHT / TAPER CLAMPS

**200T – 5L**

ITEM	PART NO.	DESCRIPTION
8	1716066	4" CERAMIC PLUNGER
	1716065	3-3/4 " CERAMIC PLUNGER
	1716064	3-1/2 " CERAMIC PLUNGER
	1716063	3-1/4 " CERAMIC PLUNGER
	1716062	3" CERAMIC PLUNGER
	1716060	2-3/4 " CERAMIC PLUNGER

**200T – 5M**

1716060	2-3/4" CERAMIC PLUNGER
1716059	2-5/8 " CERAMIC PLUNGER
1716058	2-1/2 " CERAMIC PLUNGER
1716057	2-3/8 " CERAMIC PLUNGER
1716056	2-1/4" CERAMIC PLUNGER
1716055	2-1/8 " CERAMIC PLUNGER
1716054	2" CERAMIC PLUNGER

**200T – 5H**

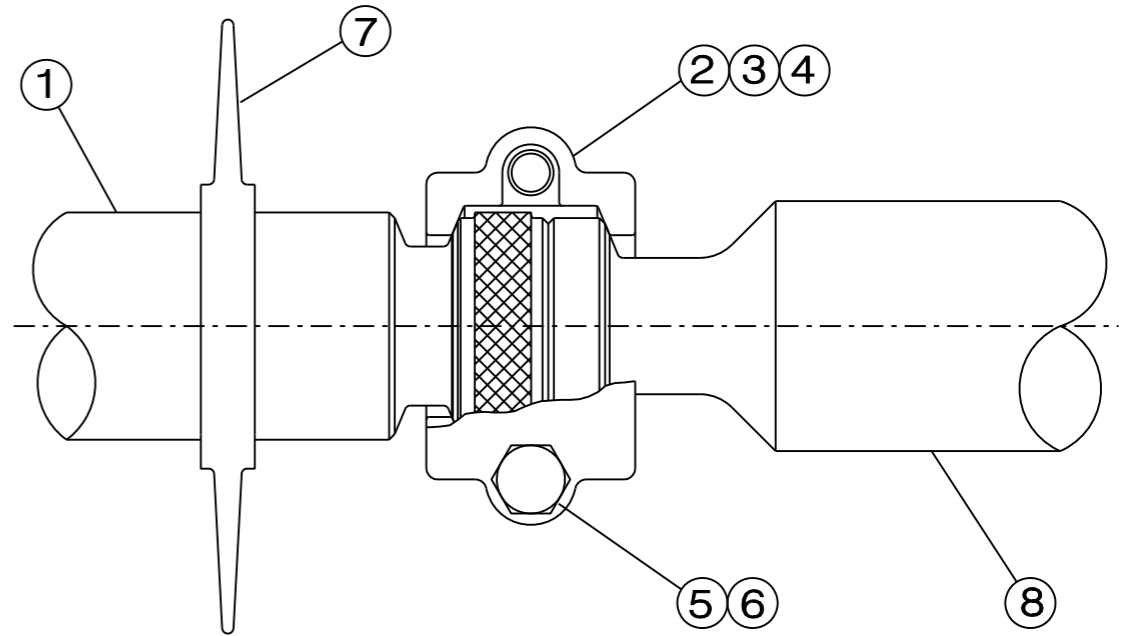
1716054	2" CERAMIC PLUNGER
1716053	1-7/8 " CERAMIC PLUNGER
1716052	1-3/4 " CERAMIC PLUNGER
1716051	1-5/8 " CERAMIC PLUNGER
1716050	1-1/2" CERAMIC PLUNGER

\* LISTED PART NUMBERS WERE PREVIOUSLY HARD COAT PLUNGERS.

<b>NOV NATIONAL OILWELL VARCO</b>			
TITLE PLUNGER/INTERMEDIATE ROD ASSY. STRAIGHT / TAPER CLAMP 200T-5 PLUNGER PUMP			
SIZE <b>C</b>	REFERENCE No.	DRAWING No. <b>1717974</b>	REV
SCALE 1/1	EST WT	SHEET 1 OF 1	

BILL OF MATERIAL

ITEM	PART NO.	DESCRIPTION
1	340-019	INTERMEDIATE ROD STAINLESS
2	340-007	CLAMP CPT.
3	340-007-1	BOLT HALF
4	340-007-2	THREAD HALF
5	195-092	SCREW, H.H. CAP
6	195-093	WASHER, SPRING LOCK
7	1717016	BAFFLE, INTERMEDIATE ROD



**DOUBLE TAPER CLAMP**

PLUNGERS FOR DOUBLE TAPER CLAMPS

**200T - 5L**

ITEM	PART NO.	PART NO.	DESCRIPTION
8	1717170	340-270	4" CARBIDE PLUNGER
	1717168	340-269	3-3/4 " CARBIDE PLUNGER
	1717166	340-268	3-1/2 " CARBIDE PLUNGER
	1717164	340-267	3-1/4 " CARBIDE PLUNGER
	1717162	340-266	3" CARBIDE PLUNGER
	1717160	340-265	2-3/4 " CARBIDE PLUNGER

**200T - 5M**

1717160	340-265	2-3/4" CARBIDE PLUNGER
1717159	340-264	2-5/8 " CARBIDE PLUNGER
1717158	340-263	2-1/2 " CARBIDE PLUNGER
1717157	340-262	2-3/8 " CARBIDE PLUNGER
1717156	340-261	2-1/4" CARBIDE PLUNGER
1717155	340-260	2-1/8 " CARBIDE PLUNGER
1717154	340-259	2" CARBIDE PLUNGER

**200T - 5H**

1717154	340-259	2" CARBIDE PLUNGER
1717153	340-258	1-7/8 " CARBIDE PLUNGER
1717152	340-257	1-3/4 " CARBIDE PLUNGER
1717151	340-256	1-5/8 " CARBIDE PLUNGER
1717150	340-255	1-1/2" CARBIDE PLUNGER

PLUNGERS FOR DOUBLE TAPER CLAMPS

**200T - 5L**

ITEM	PART NO.	DESCRIPTION
8	1717070	4" CERAMIC PLUNGER
	1717068	3-3/4 " CERAMIC PLUNGER
	1717066	3-1/2 " CERAMIC PLUNGER
	1717064	3-1/4 " CERAMIC PLUNGER
	1717062	3" CERAMIC PLUNGER
	1717060	2-3/4 " CERAMIC PLUNGER

**200T - 5M**

1717060	2-3/4" CERAMIC PLUNGER
1717059	2-5/8 " CERAMIC PLUNGER
1717058	2-1/2 " CERAMIC PLUNGER
1717057	2-3/8 " CERAMIC PLUNGER
1717056	2-1/4" CERAMIC PLUNGER
1717055	2-1/8 " CERAMIC PLUNGER
1717054	2" CERAMIC PLUNGER

**200T - 5H**

1717054	2" CERAMIC PLUNGER
1717053	1-7/8 " CERAMIC PLUNGER
1717052	1-3/4 " CERAMIC PLUNGER
1717051	1-5/8 " CERAMIC PLUNGER
1717050	1-1/2" CERAMIC PLUNGER

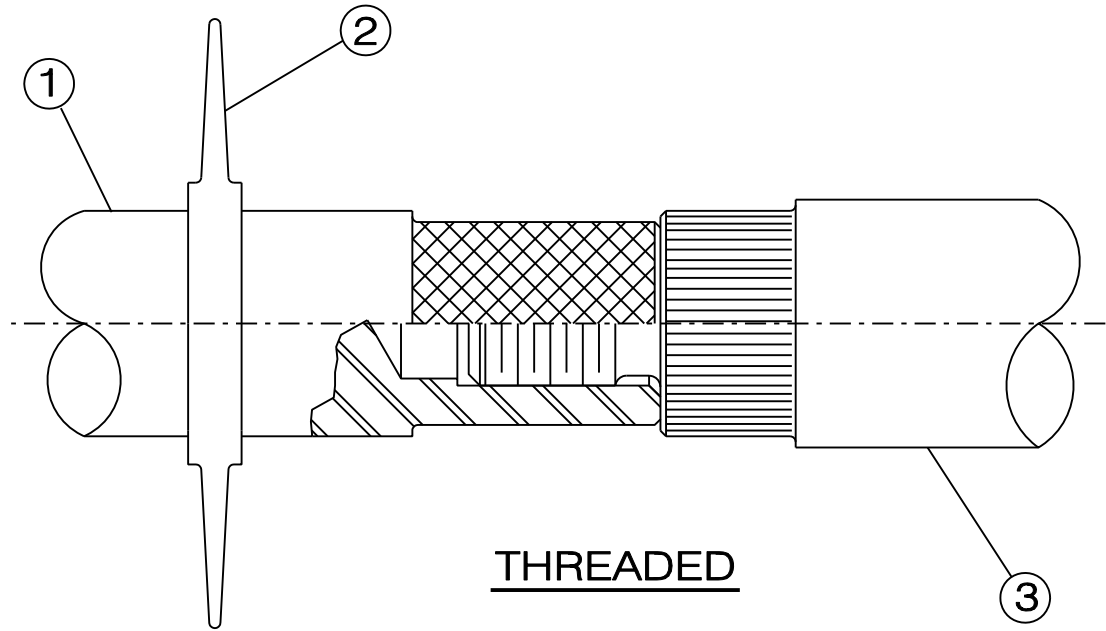
**CAUTION: FOR REFERENCE ONLY**

- OBSOLETE DESIGN -  
SEE DWG. 1717974 OR  
1717976 FOR CURRENT DESIGN

<b>NOV NATIONAL OILWELL VARCO</b>			
TITLE PLUNGER/INTERMEDIATE ROD ASSY. DOUBLE TAPER CLAMP 200T-5 PLUNGER PUMP			
SIZE C	REFERENCE No.	DRAWING No. 1717975	REV
SCALE 1 / 1	EST WT	SHEET 1 OF 1	

BILL OF MATERIAL

ITEM	PART NO.	DESCRIPTION
1	340-023	INTERMEDIATE ROD STAINLESS
2	1717016	BAFFLE, INTERMEDIATE ROD



THREADED PLUNGERS

200T – 5L

ITEM	*PART NO.*	PART NO.	DESCRIPTION
3	1712264	340-199	4" CARBIDE PLUNGER
	1712265	340-198	3-3/4 " CARBIDE PLUNGER
	1712266	340-197	3-1/2 " CARBIDE PLUNGER
	1712267	340-196	3-1/4 " CARBIDE PLUNGER
	1712268	340-195	3" CARBIDE PLUNGER
	1712269	340-194	2-3/4 " CARBIDE PLUNGER

200T – 5M

1712269	340-194	2-3/4" CARBIDE PLUNGER
1712589	340-193	2-5/8 " CARBIDE PLUNGER
1712270	340-192	2-1/2 " CARBIDE PLUNGER
1712376	340-191	2-3/8 " CARBIDE PLUNGER
1712271	340-190	2-1/4" CARBIDE PLUNGER
1712447	340-189	2-1/8 " CARBIDE PLUNGER
1712272	L340-188	2" CARBIDE PLUNGER

200T – 5H

1712272	L340-188	2" CARBIDE PLUNGER
1712445	L340-187	1-7/8 " CARBIDE PLUNGER
1712273	340-186	1-3/4 " CARBIDE PLUNGER
1712274	340-185	1-5/8 " CARBIDE PLUNGER
1712275	340-184	1-1/2" CARBIDE PLUNGER

THREADED PLUNGERS

200T – 5L

ITEM	PART NO.	DESCRIPTION
3	1712082	4" CERAMIC PLUNGER
	1712081	3-3/4 " CERAMIC PLUNGER
	1712080	3-1/2 " CERAMIC PLUNGER
	1712079	3-1/4 " CERAMIC PLUNGER
	1712078	3" CERAMIC PLUNGER
	1712042	2-3/4 " CERAMIC PLUNGER

200T – 5M

1712042	2-3/4" CERAMIC PLUNGER
1712588	2-5/8 " CERAMIC PLUNGER
1712041	2-1/2 " CERAMIC PLUNGER
1712377	2-3/8 " CERAMIC PLUNGER
1712040	2-1/4" CERAMIC PLUNGER
1712331	2-1/8 " CERAMIC PLUNGER
1712039	2" CERAMIC PLUNGER

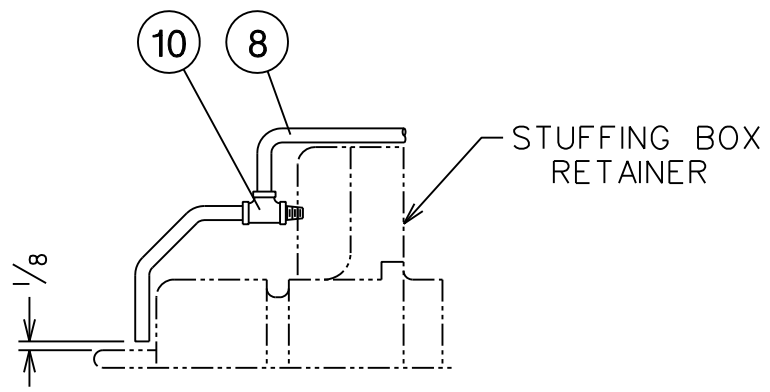
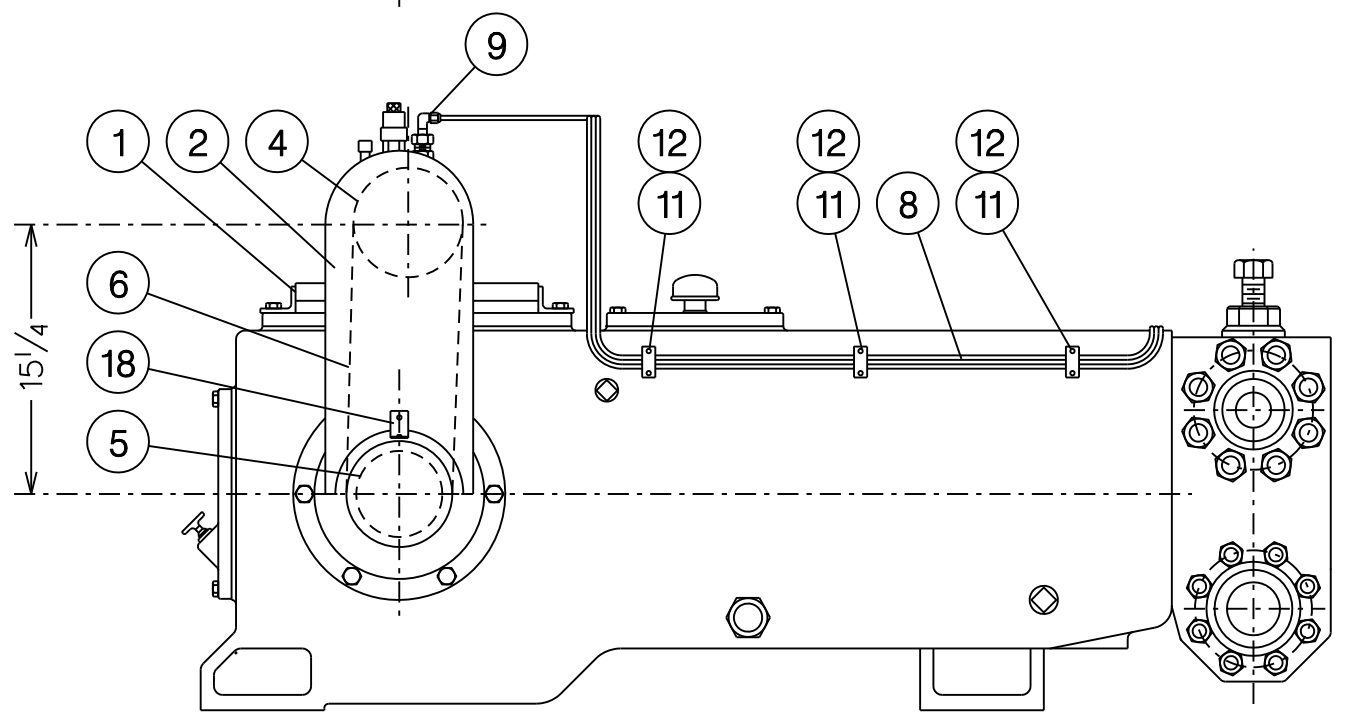
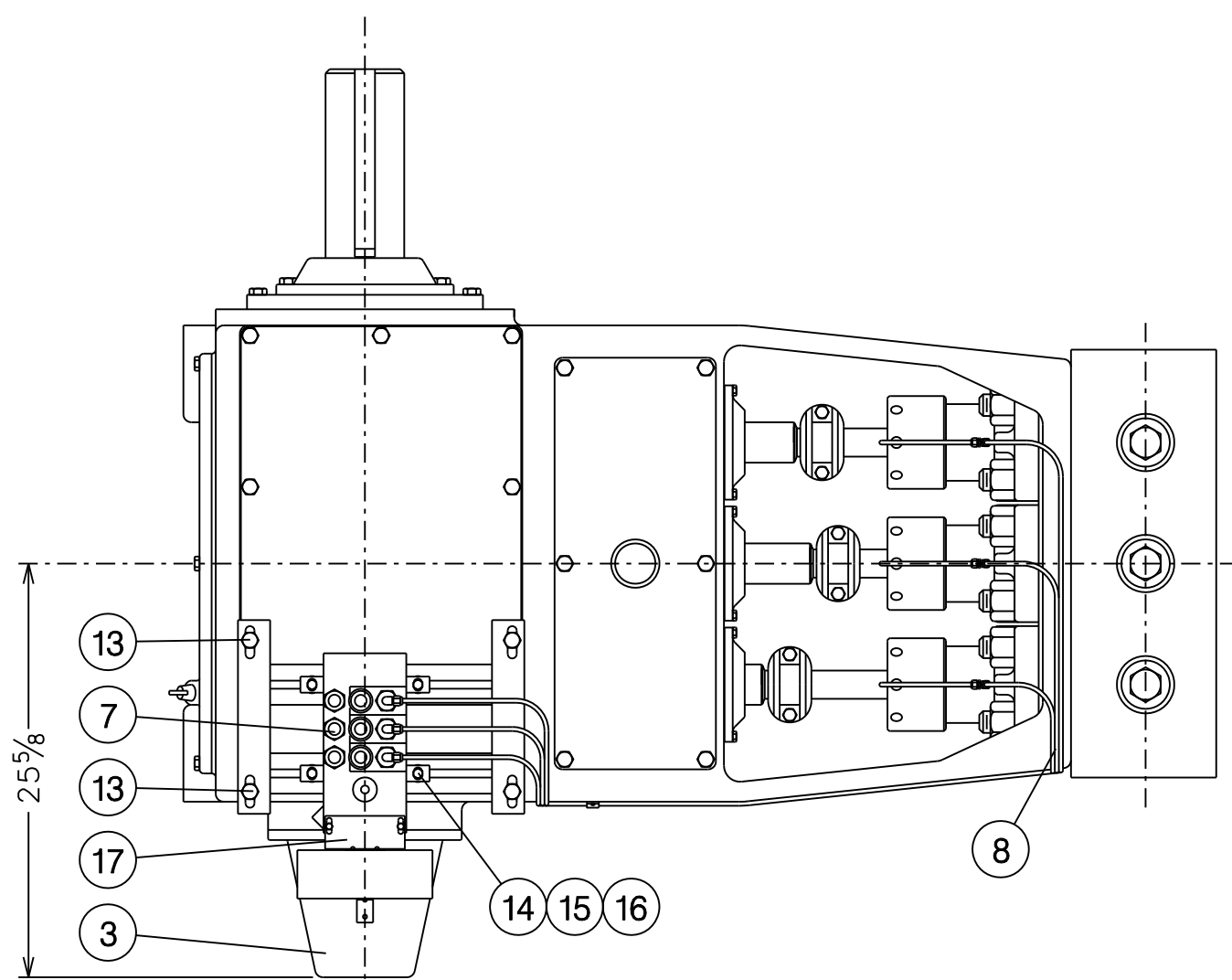
200T – 5H

1712039	2" CERAMIC PLUNGER
1712459	1-7/8 " CERAMIC PLUNGER
1712038	1-3/4 " CERAMIC PLUNGER
1712150	1-5/8 " CERAMIC PLUNGER
1712037	1-1/2" CERAMIC PLUNGER

\* LISTED PART NUMBERS WERE PREVIOUSLY HARD COAT PLUNGERS

<b>NOV NATIONAL OILWELL VARCO</b>			
TITLE PLUNGER/INTERMEDIATE ROD ASSY. THREADED PLUNGER 200T-5 PLUNGER PUMP			
SIZE C	REFERENCE No.	DRAWING No. 1717976	REV
SCALE 1 / 1	EST WT	SHEET 1 OF 1	

LTR	DESCRIPTION OF CHANGE	MADE	CHKD	DATE	APPROVED	M NO
A	WAS 1710125	DCP	RPQ	1.25.05	JCA	



**DETAIL OF DRIP LUBE PIPING**  
SCALE : NONE

QTY REQ'D	PART No.	DESCRIPTION / MATERIAL / SPECIFICATION	ITEM NO.
1	1790074	1790074 BRACKET, LUBRICATOR GUARD - BOTTOM	18
1	1790051	1790051 BRACKET, LUBRICATOR GUARD - TOP	17
4	6300070	6300070 NUT, HEX 7/16"	16
20	7600032	7600032 WASHER, 1/2" N TYPE A 1.062 O.D.	15
4	7000260-11	7000260-11 SCREW, HEX HEAD CAP 7/16x 2" LG.	14
4	7000306-11	7000306-11 SCREW, HEX HEAD CAP 1/2" x 1 3/4" LG.	13
6	7168073	7168073 SCREW, HEX HEAD *8-32 x 1/4" TYPE F SELF TAPPING	12
3	7802200	7802200 CLIP, MULTI-LINE TUBING	11
3	25854704	TEE, 1/4" TUBE x 1/4" TUBE x 1/4" N.P.T. - S.S.	10
	G7819165	TEE, 1/4" TUBE x 1/4" TUBE x 1/4" N.P.T.	
3	64226988	ELBOW, 90° x 1/4" TUBE x 1/8" N.P.T. - S.S.	9
	7804080	ELBOW, 90° x 1/4" TUBE x 1/8" N.P.T.	
25 FT	64699402	TUBING, STAINLESS STEEL 1/4" O.D. x .035 WALL	8
	7400420	TUBING, COPPER 1/4" O.D. x .032 WALL	
1	7811072	7811072 LUBRICATOR, 3 FEED (LH)	7
	7811071	7811071 LUBRICATOR, 3 FEED (RH)	
1	4712530	4712530 BELT, V - 2530	6
1	1713021	1713021 SHEAVE, DRIVER 6" PD	5
1	7200020	7200020 SHEAVE, LUBRICATOR 6.2" PD	4
1	1713112	1713112 COVER, CRANKSHAFT EXTENSION	3
1	1717216	1717216 GUARD, LUBRICATOR BELT (INCL. ITEMS 17 & 18)	2
1	G1717615	G1717615 BRACKET, LUBRICATOR	1
	LUBRICATOR ASSY. COMPLETE WITH STAINLESS STEEL LINES P/N 1717422RSS	LUBRICATOR ASSY. COMPLETE WITH COPPER LINES P/N 1717422R	

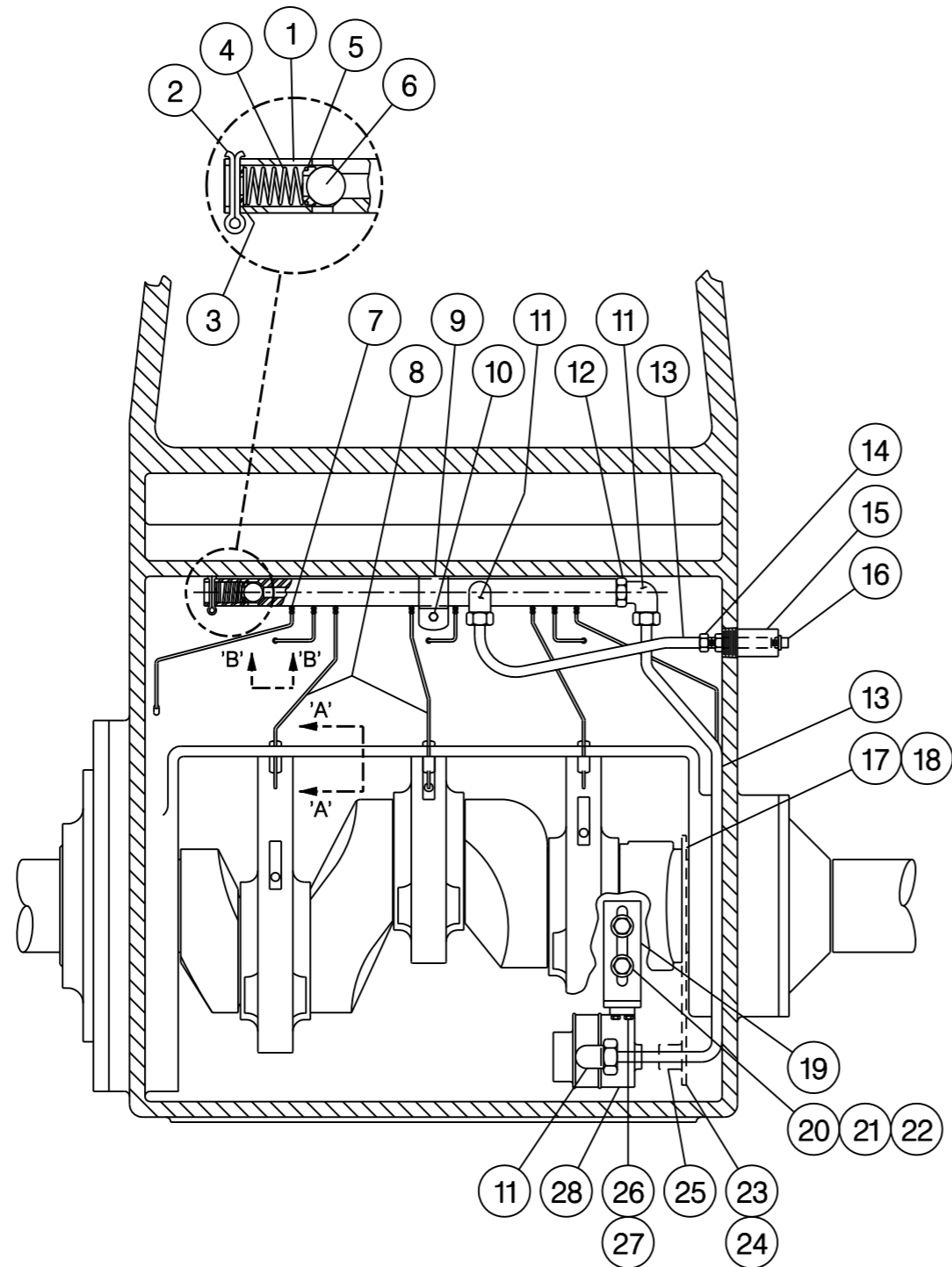
LIST OF MATERIAL

**NOTE:**  
R.H. LUBRICATOR SHOWN  
L.H. OPPOSITE

**NOV NATIONAL OILWELL VARCO**

TITLE LUBRICATOR ASSEMBLY PIPING  
3-FEED LUBRICATOR (R.H. OR L.H.)  
200T-5 TRIPLEX PLUNGER PUMP

SIZE B	REFERENCE No.	DRAWING No. 1717977	REV A
SCALE NONE	EST WT	SHEET 1 OF 1	



SECTION 'A-A'  
SCALE: NONE

FIT TUBING AS SHOWN  
INSERT 5/8" TO 3/4" IN HOLE

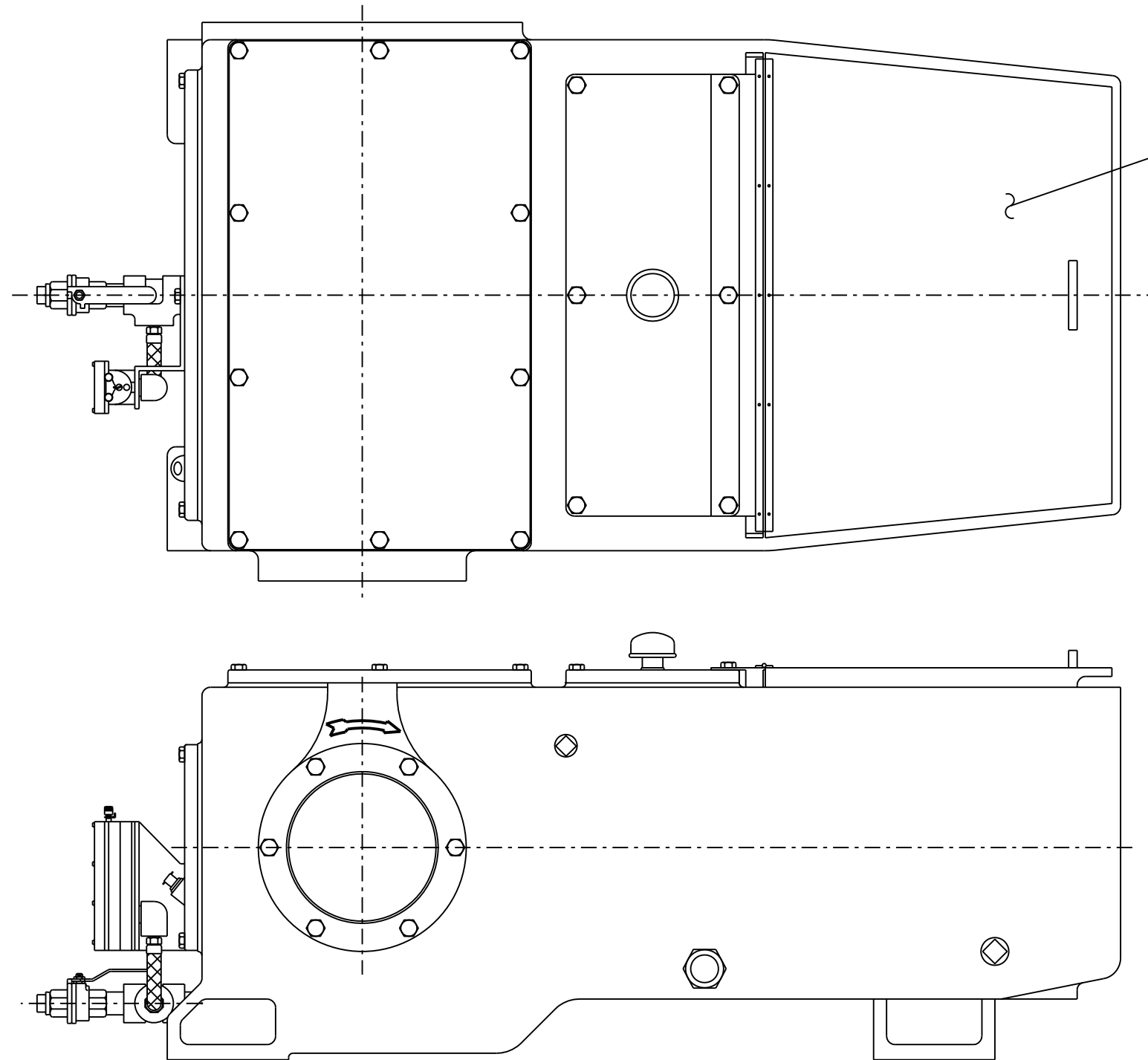
SECTION 'B-B'  
SCALE: NONE

1	7815073	PUMP, *1S-B & S*713-10-2	28
4	7619041	WASHER, 3/8" SPRING LOCK	27
4	7000208-11	SCREW, 3/8" X 1" HEX HD CAP	26
1	2404083	KEY, 1/8" X 1/8" X 5/8" RD. ONE DEN	25
1	7027088	SCREW, *10 - 24 X 3/8" CUP POINT SET	24
1	G-7818143	SPROCKET, 13T - 1/2" PITCH - SINGLE	23
2	7600034	WASHER, 1/2" W TYPE A-1.375" OD	22
2	7619050	WASHER, 1/2" SPRING LOCK	21
2	7000304-11	SCREW, 1/2" X 1/4" HEX HD CAP	20
1	1717021	SUPPORT, PUMP MOUNTING	19
1	5802101	LINK, CONNECTING 1/2" SINGLE RC40	18
1	G5700021076	CHAIN, 3/8" SINGLE - 76 PITCHES - RC40	17
1	6874003	PLUG, 3/8" SQ. HD. SOLID PIPE	16
1	G-1717032	ADAPTER, GAUGE CONNECTION	15
1	G-7802483	CONNECTOR, *1468 X 8K (3/8" PIPE X 1/2" TUBE)	14
1	G-7819150	TUBING, 1/2" SYN FLEX (4'-0")	13
1	6800042	BUSHING, 1/2" X 3/8" STD. PIPE	12
3	G-7804234	ELBOW, *1469 X 8K (3/8" PIPE X 1/2" TUBE)	11
1	7000104-11	SCREW, 1/4" X 1/2" HEX HEAD CAP	10
1	7802065	CLAMP, 1" STD. PIPE	9
1	G-7400320	TUBING, 3/16" COPPER (6'-0")	8
8	G-7802484	CONNECTOR, *68 X 3 (1/8" X 3/16" TUBE)	7
1	1012093	BALL, VALVE	6
1	1709105	RETAINER, SPRING	5
1	1709103	SPRING, BALL VALVE	4
1	7600026	WASHER, 3/8" W TYPE A-1" OD STL	3
1	6501612	PIN, 1/4" X 1 1/2" COTTER	2
1	G-1717031	PIPE, POWER END LUBRICATION	1
QTY REQ'D	PART NO.	DESCRIPTION / MATERIAL / SPECIFICATION	ITEM NO.
LIST OF MATERIAL			

**NOV NATIONAL OILWELL VARCO**

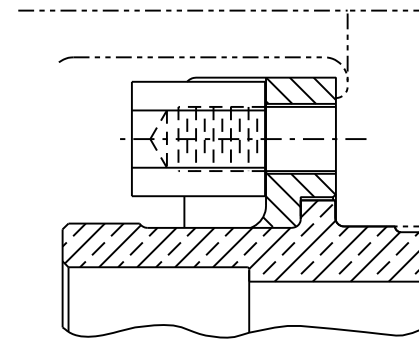
TITLE  
LOW SPEED LUBRICATION  
200T-5/JWS-300/340 PLUNGER PUMP

SIZE B	REFERENCE No.	DRAWING No. 1717983	REV
SCALE 1/8	EST WT	SHEET 1 OF 1	



PLUNGER CHAMBER COVER  
P/N 1717344 (14 GA. STL.) **A**

STUFFING BOX RETAINER  
1<sup>3</sup>/<sub>8</sub>" ACORN NUT OPTION  
P/N 1712024 (ALUM. BRZ.)

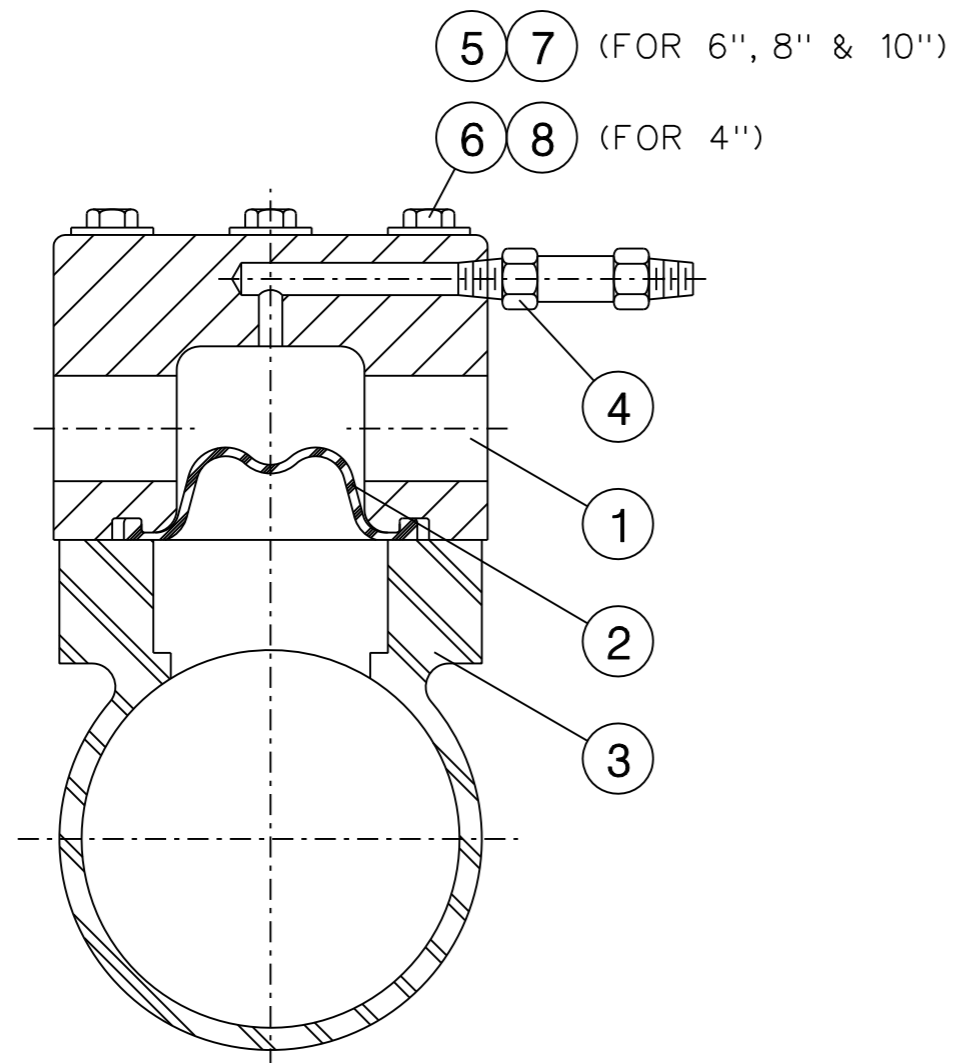


**200T- 5L, 5M or 5H**  
(STUFFING BOX & RETAINER SHOWN  
ARE REPRESENTATIVE ONLY)

OIL LEVEL SWITCH ASSY.  
(TYPICAL ARRANGEMENT)  
MURPHY L-129 SHOWN  
SWITCH MODEL, LOCATION & PIPING ARRANGEMENT  
WILL VARY DEPENDING ON APPLICATION

A	RPQ	10-27-97
REV.	BY	DATE

<b>NOV NATIONAL OILWELL VARCO</b>			
TITLE OPTIONAL ACCESSORIES 200T-5 TRIPLEX PLUNGER PUMP			
SIZE <b>B</b>	REFERENCE No.	DRAWING No. 1717978	REV <b>A</b>
SCALE 1/8	EST WT	SHEET 1 OF 1	



\* {

14	7600020	WASHER, 5/16" (FOR 4")	14
18	7600032	WASHER, 1/2" (FOR 6", 8" & 10")	13
14	7000157-11	CAPSCREW, 5/16-18 x 1" LG. (FOR 4")	12
18	7000304-11	CAPSCREW, 1/2-13 x 1 1/4" LG. (FOR 6", 8" & 10")	11
1	1712218	GASKET, BLANKING PLATE (FOR 6", 8" & 10")	10
1	6000004	GASKET, BLANKING PLATE (FOR 4")	
1	1712217	PLATE, BLANKING (FOR 6", 8" & 10")	9
1	X17-1569	PLATE, BLANKING (FOR 4")	
14	7600020	WASHER, 5/16" (FOR 4")	8
18	7600032	WASHER, 1/2" (FOR 6", 8" & 10")	7
14	7000168-11	CAPSCREW, 5/16-18 x 3 3/4" LG. (FOR 4")	6
18	7000316-11	CAPSCREW, 1/2-13 x 4" LG. (FOR 6", 8" & 10")	5
1	7500021	CHECK VALVE, 1/8" (FOR 4", 6", 8" & 10")	4
1	1713201	10" PIPE BODY	3
1	1712501	8" PIPE BODY	
1	1712251	6" PIPE BODY	
1	1712250	4" PIPE BODY	
1	1712327	10" DIAPHRAGM	2
1	1712327	8" DIAPHRAGM	
1	1712327	6" DIAPHRAGM	
1	1712327	4" DIAPHRAGM	
1	1712262	4" DIAPHRAGM	1
1	1712329	10" DAMPENER	
1	1712329	8" DAMPENER	
1	1712329	6" DAMPENER	
1	1712290	4" DAMPENER	
	1713200	DAMPENER COMPLETE - 10" (29" LG.)	
	1712502	DAMPENER COMPLETE - 8" (29" LG.)	
	1712253	DAMPENER COMPLETE - 6" (28" LG.)	
	1712252	DAMPENER COMPLETE - 4" (25 1/2" LG.)	
QTY REQ'D	PART NO.	DESCRIPTION	ITEM NO.

LIST OF MATERIAL

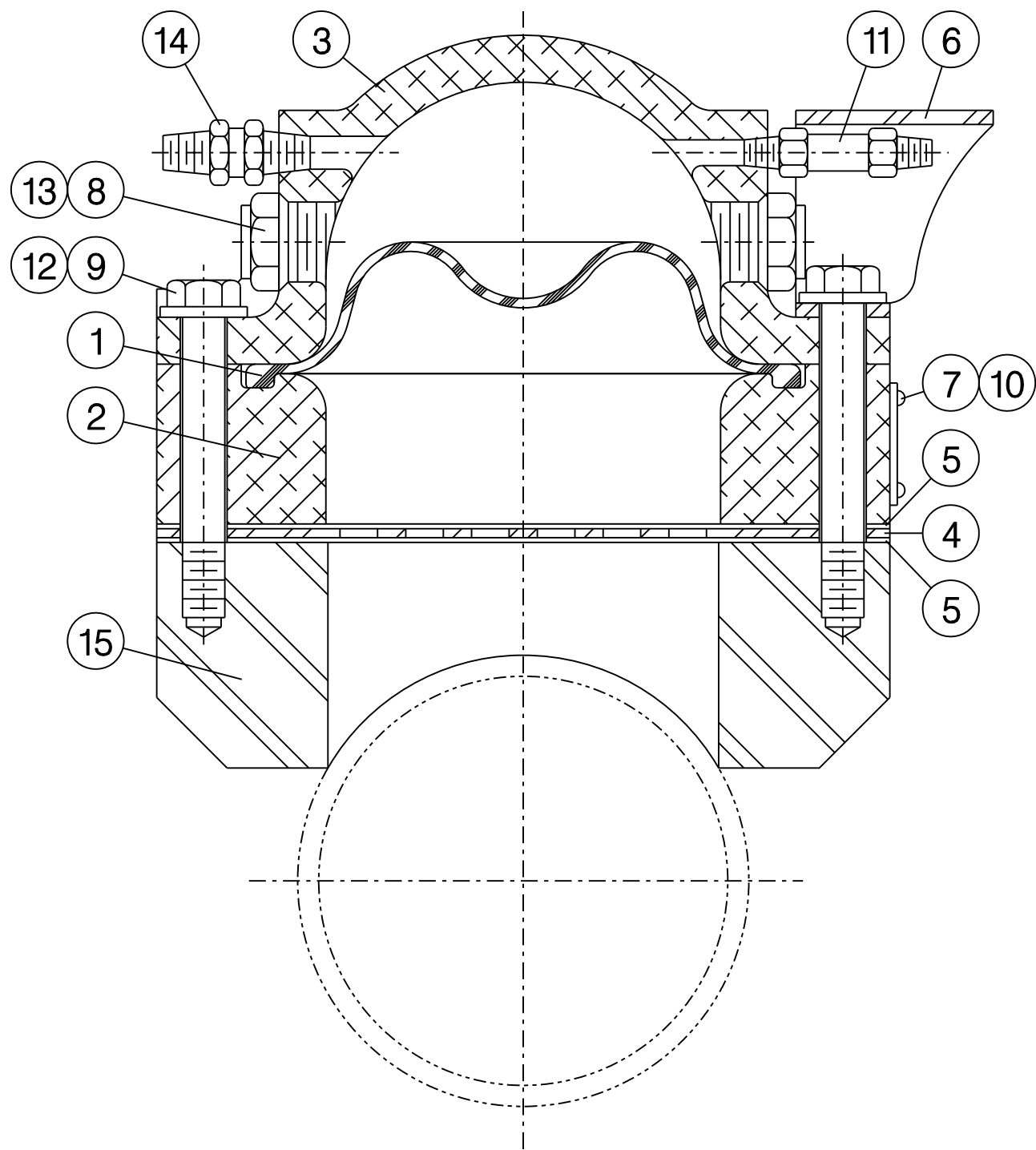
**NOV NATIONAL OILWELL VARCO**

TITLE LOW PRESSURE PLASTIC BODY  
IN-LINE SUCTION DAMPENER (WELD-ON)  
PLUNGER PUMPS

SIZE REFERENCE No. DRAWING No. REV  
B 1717979

\* L/M FOR BLANKING PLATE ASSEMBLY  
ITEMS #9 THRU #14 ARE NOT SHOWN

SCALE 1/2 EST WT SHEET 1 OF 1



\*

QTY REQ'D	PART NO.	DESCRIPTION	ITEM NO.
1	1292234	PLATE, MOUNTING (FOR 12")	15
1	1290209	PLATE, MOUNTING (FOR 10")	
1	1290211	PLATE, MOUNTING (FOR 8")	
1	1291271	PLATE, MOUNTING (FOR 6")	
1	7500396	VALVE, RELIEF 1/4" NPT #559B-2M-70	14
1	7815106	PLUG, SIGHT TEDECO *W-54	13
32	7600036	WASHER, 9/16 N TYPE "A" 1.159 O.D.	12
1	7500021	VALVE, CHECK - DILL #02500-100AA-643VC	11
8	7178025	DRIVESCREW, #2 x 1/4" LG. ROUND HD.	10
32	7000361-11	CAPSCREW, 9/16-12UNC x 4" LG. HEX HD.	9
2	2410031-024	PACKING, SIGHT PLUG	8
1	2407136	PLATE, INSTRUCTION	7
1	1290228	GUARD, AIR VALVE	6
2	1290199	GASKET	5
1	1290198	RETAINER	4
1	1290197	COVER	3
1	1290196	SPACER	2
1	1290195	DIAPHRAGM	1
	1292233	DAMPENER COMPLETE - 12" (34 1/2" LG.)	
	1290208	DAMPENER COMPLETE - 10" (34 1/2" LG.)	
	1290210	DAMPENER COMPLETE - 8" (34 1/2" LG.)	
	1291270	DAMPENER COMPLETE - 6" (34 1/2" LG.)	
QTY REQ'D	PART NO.	DESCRIPTION	ITEM NO.

LIST OF MATERIAL

\* FOR 6", 8", 10" & 12" DIA. DAMPENERS

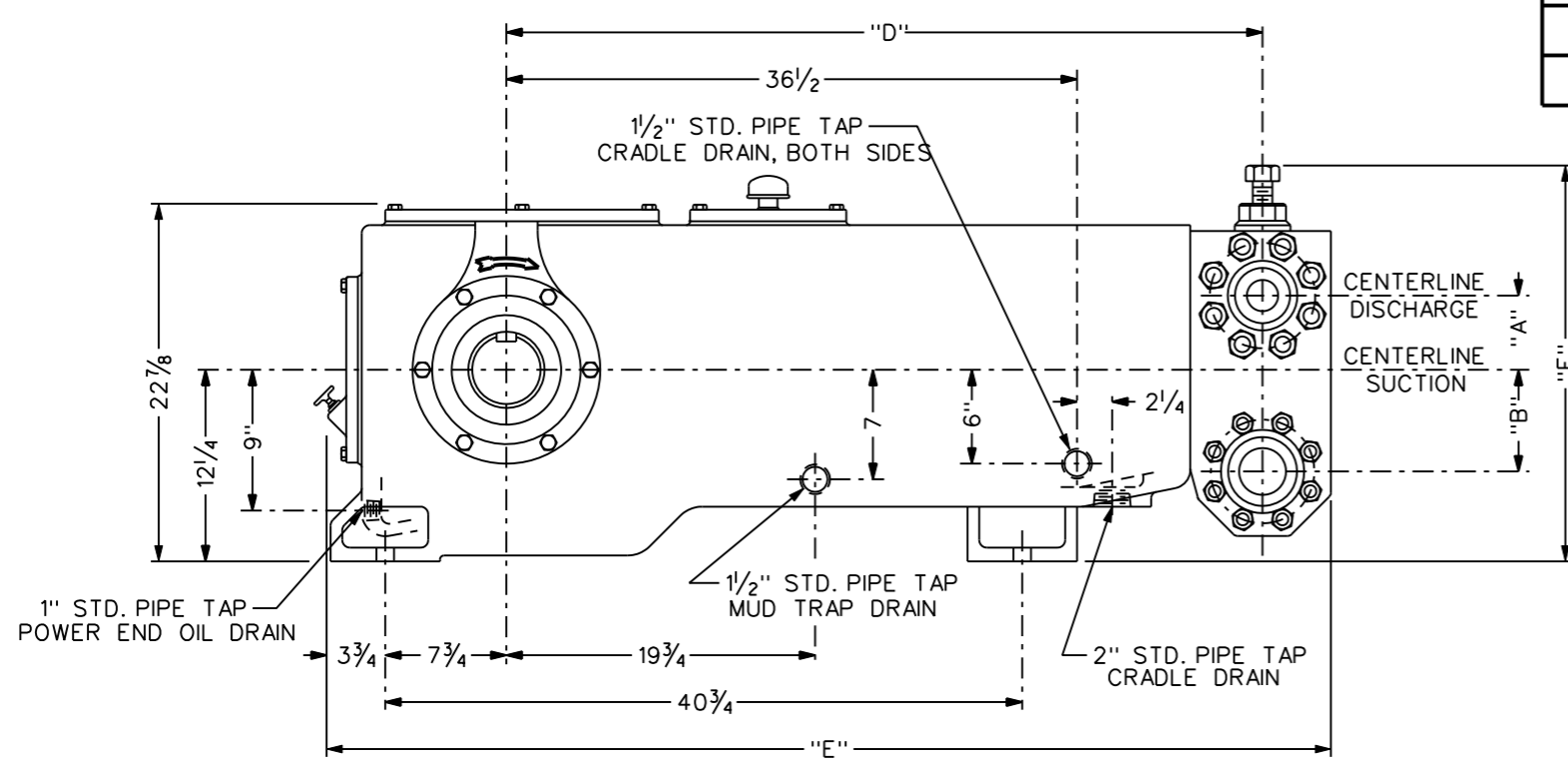
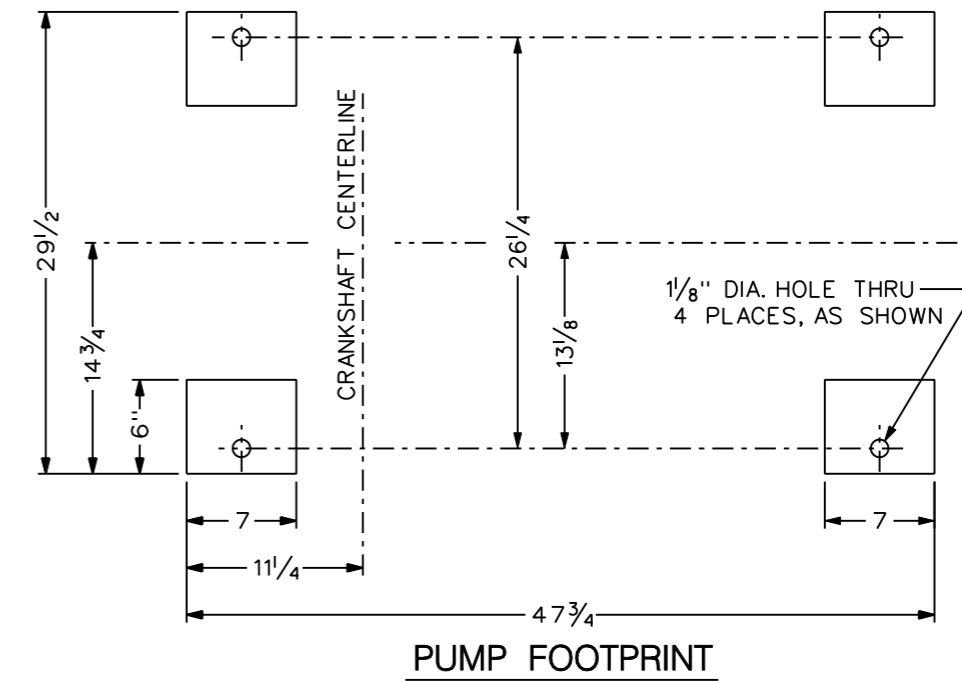
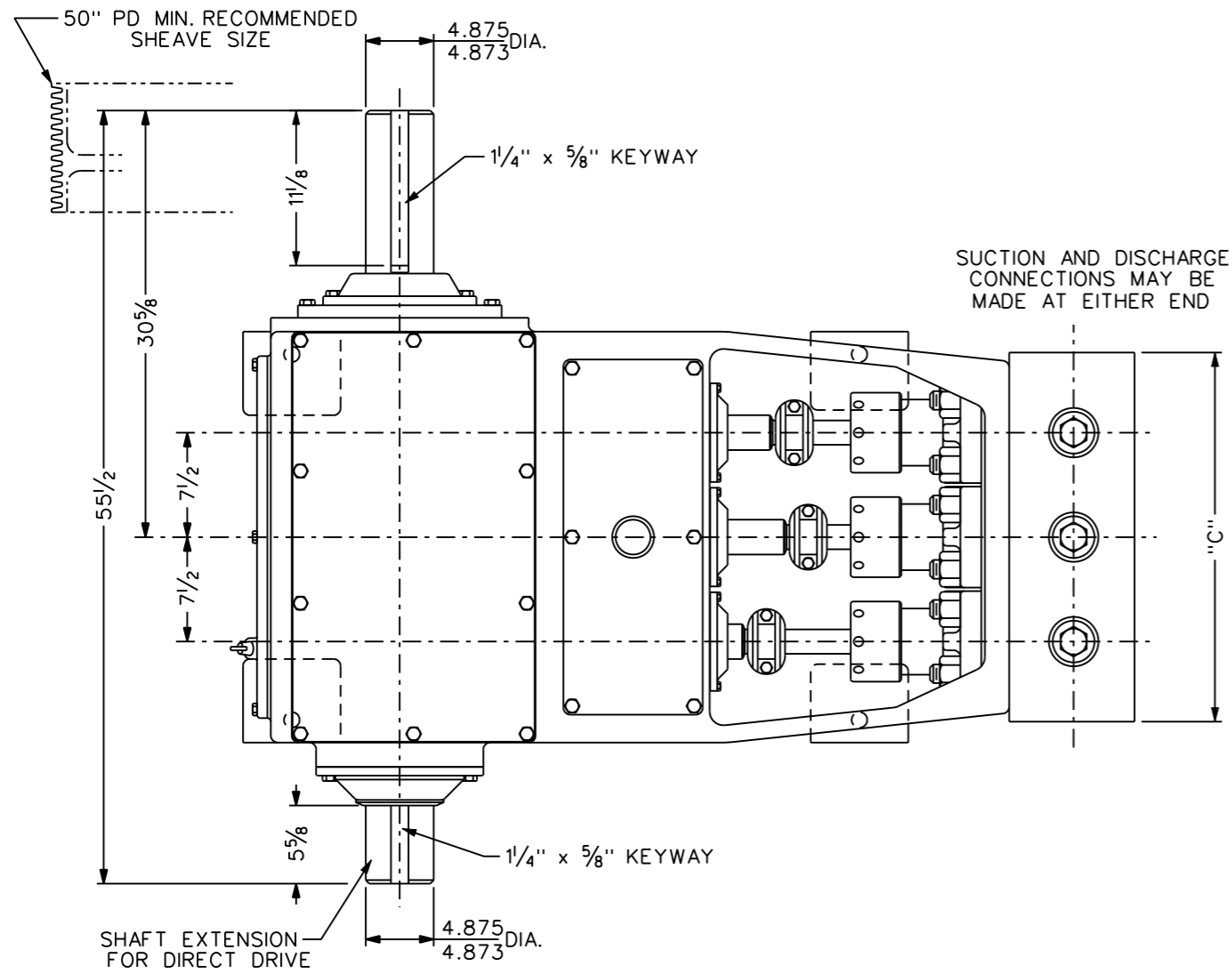


TITLE HIGH PRESSURE ALUMINUM BODY  
IN-LINE SUCTION DAMPENER (WELD-ON)  
PLUNGER PUMPS

SIZE B REFERENCE No. DRAWING No. 1717980 REV

SCALE 1/2 EST WT SHEET 1 OF 1





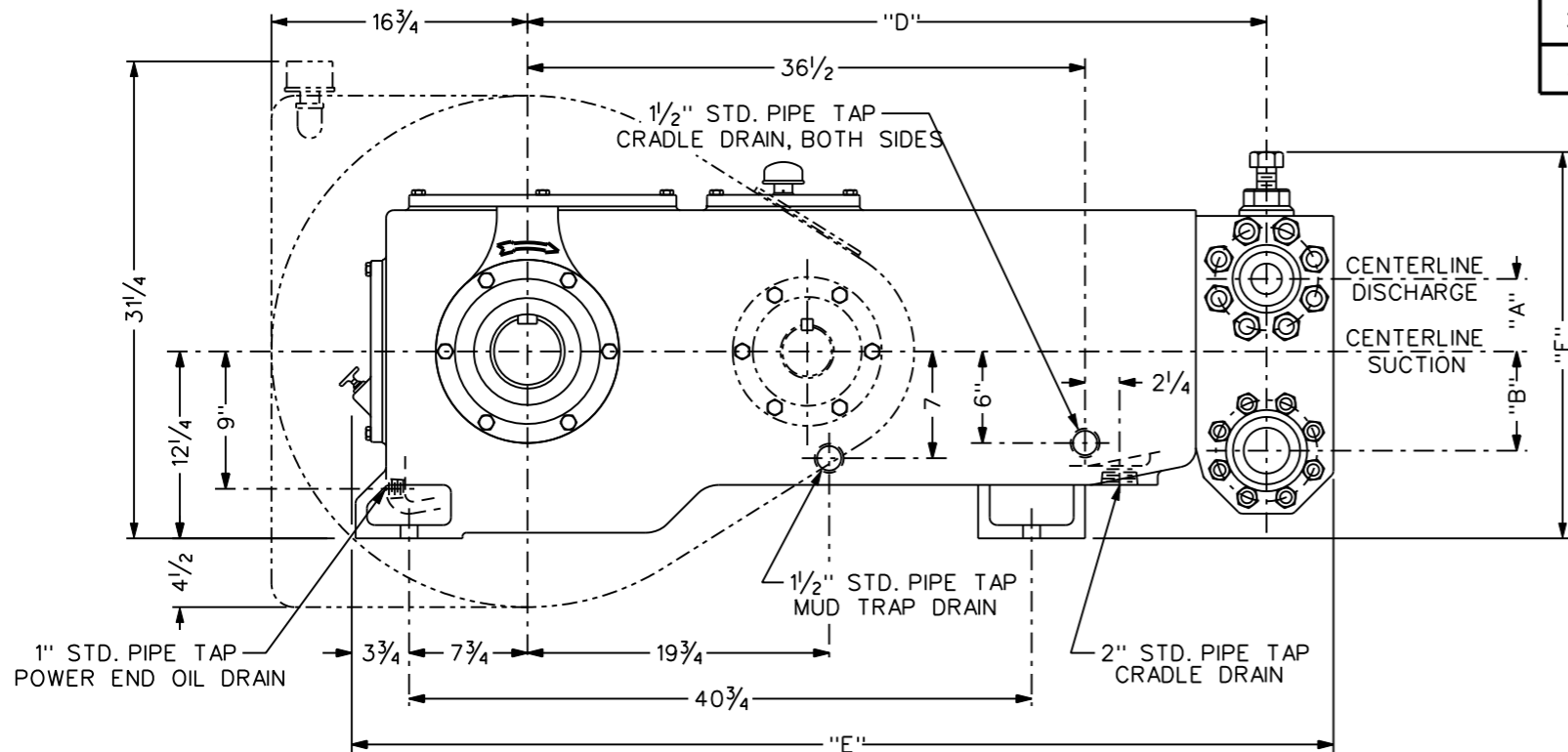
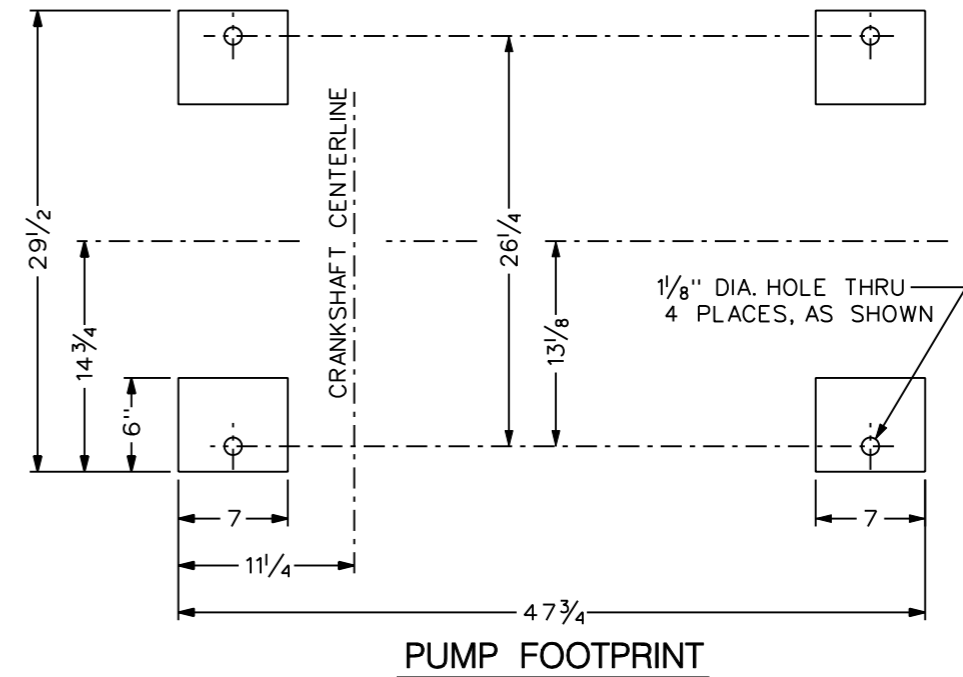
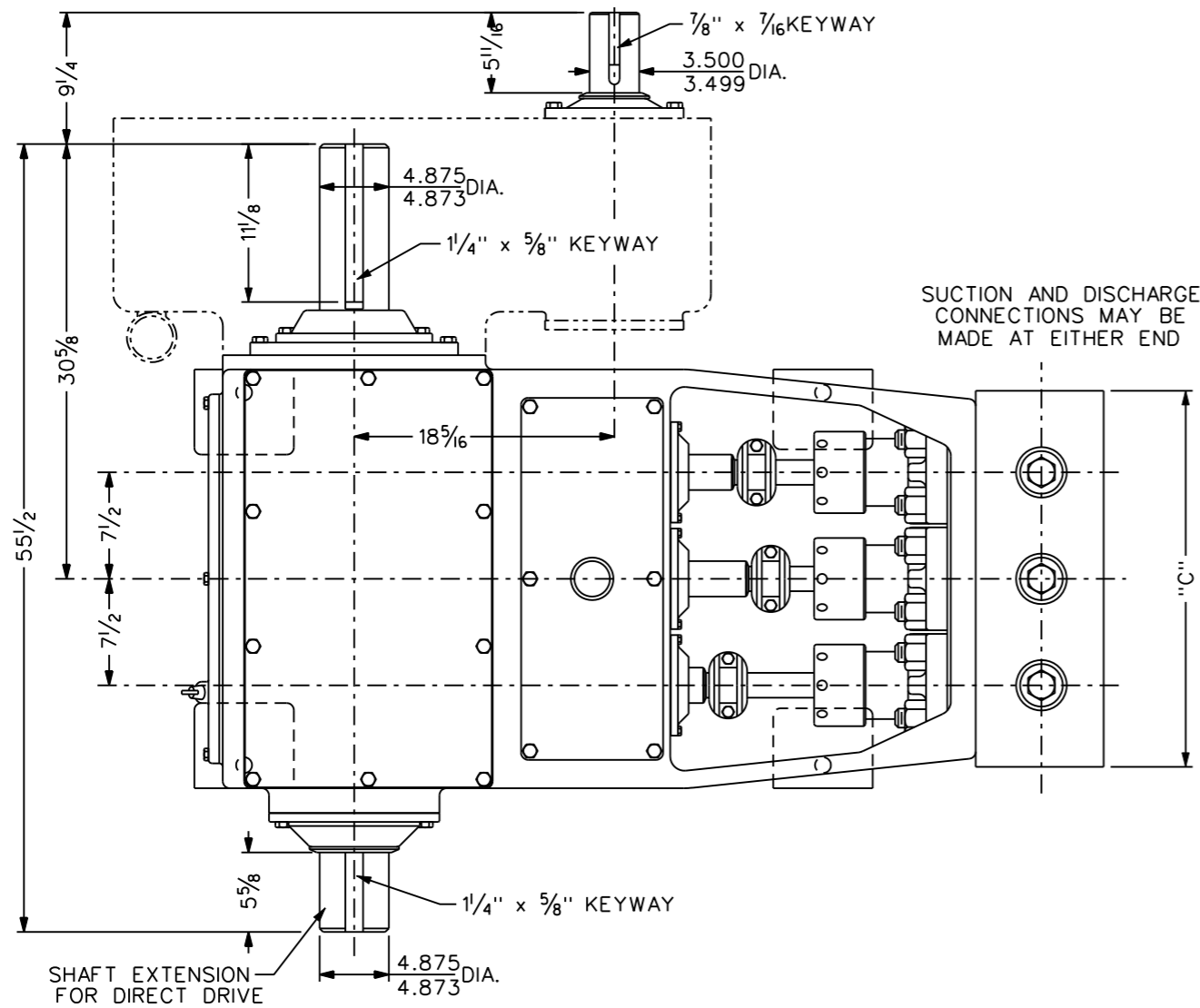
PUMP TYPE	DISCHARGE CONNECTION	SUCTION CONNECTION	DIMENSIONS IN INCHES					
			A	B	C	D	E	F
200T-5L	3" API-2000* R.J	6" ANSI-150* F.F.	5 <sup>11</sup> / <sub>16</sub>	7 <sup>5</sup> / <sub>8</sub>	27 <sup>3</sup> / <sub>4</sub>	48 <sup>3</sup> / <sub>4</sub>	65 <sup>3</sup> / <sub>4</sub>	23
200T-5M	2" API-5000* R.J	4" ANSI-150* F.F.	4 <sup>3</sup> / <sub>4</sub>	6 <sup>1</sup> / <sub>2</sub>	26 <sup>1</sup> / <sub>2</sub>	48 <sup>3</sup> / <sub>8</sub>	64 <sup>7</sup> / <sub>8</sub>	25 <sup>5</sup> / <sub>16</sub>
200T-5H	2" ANSI-2500* R.J	3" API-2000* R.J	4 <sup>3</sup> / <sub>4</sub>	6 <sup>1</sup> / <sub>2</sub>	26 <sup>1</sup> / <sub>2</sub>	48 <sup>3</sup> / <sub>8</sub>	64 <sup>1</sup> / <sub>4</sub>	25 <sup>5</sup> / <sub>16</sub>

200T-5H MODEL IS SHOWN

**NOV NATIONAL OILWELL VARCO**

TITLE: OUTLINE DRAWING  
200T-5 TRIPLEX PLUNGER PUMP  
WITHOUT GEAR REDUCER

SIZE <b>B</b>	REFERENCE No.	DRAWING No. 1717981	REV
SCALE 1/12	EST WT 4486#	SHEET 1 OF 1	



PUMP TYPE	DISCHARGE CONNECTION	SUCTION CONNECTION	DIMENSIONS IN INCHES					
			A	B	C	D	E	F
200T-5L	3" API-2000* R.J	6" ANSI-150* F.F.	$5\frac{11}{16}$	$7\frac{5}{8}$	$27\frac{3}{4}$	$48\frac{3}{4}$	$65\frac{3}{4}$	23
200T-5M	2" API-5000* R.J	4" ANSI-150* F.F.	$4\frac{3}{4}$	$6\frac{1}{2}$	$26\frac{1}{2}$	$48\frac{3}{8}$	$64\frac{7}{8}$	$25\frac{5}{16}$
200T-5H	2" ANSI-2500* R.J	3" API-2000* R.J	$4\frac{3}{4}$	$6\frac{1}{2}$	$26\frac{1}{2}$	$48\frac{3}{8}$	$64\frac{1}{4}$	$25\frac{5}{16}$

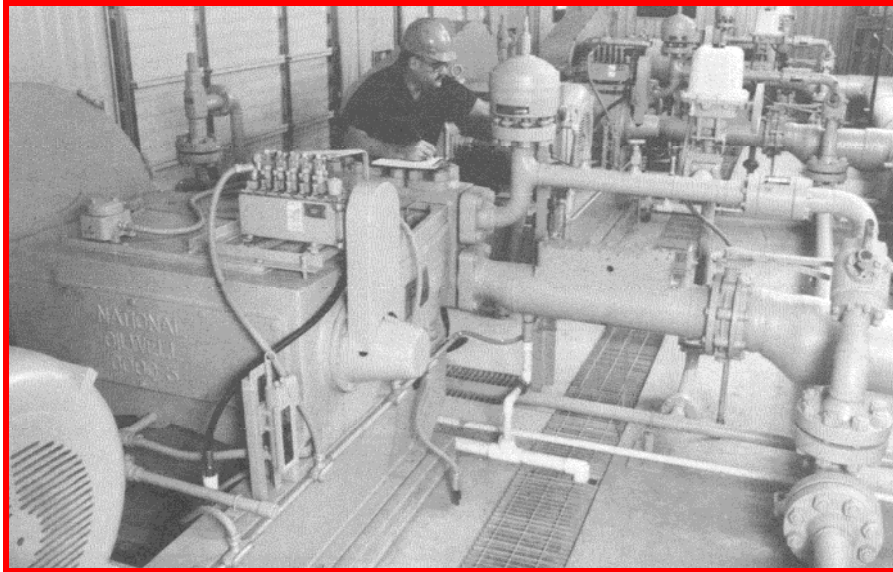
**NOV NATIONAL OILWELL VARCO**

TITLE: OUTLINE DRAWING  
200T-5 TRIPLEX PLUNGER PUMP WITH GEAR REDUCER

SIZE	REFERENCE No.	DRAWING No.	REV
B		1717982	
SCALE	EST WT	SHEET	
1/12	5586#	1 OF 1	

200T-5H MODEL IS SHOWN

# **NATIONAL OILWELL VARCO**



With over 120 locations worldwide, National Oilwell Varco is located near you. To find the nearest Distribution Service Center, machinery center or repair facility, please give us a call at our main office listed below.

Or you can access our website at the URL listed below, where you may search by location or country.

<http://www.nov.com/contactus/>

**Sales/Technical Information:**  
**USA Tollfree:** 1 (800) 324-4706

**Internet:** <http://www.nov.com>

National Oilwell Varco is a leading manufacturer of reciprocating plunger pumps, Mission Fluid King centrifugal pumps, and fluid end replacement parts. We also offer a complete set of solutions to your fluid transfer challenges. For more Information, contact National Oilwell Varco directly at the Headquarters in Houston, Texas. All National Oilwell Varco products are available throughout the U.S. and around the world from service centers, authorized distributors, and representatives.

© Copyright 1999 by National Oilwell, L.P. All Rights Reserved. NATIONAL OILWELL, NATIONAL, and OILWELL are registered trademarks of NATIONAL OILWELL, L.P. Houston, Texas, USA. All other trademarks used are registered to their respective companies. The information and data in this brochure, including but not limited to pictures, photographs, charts, diagrams, drawings, lists, written comments, and specifications, are accurate to the best of our knowledge and belief, but are intended for general information only. Applications suggested for the materials and other information are described only to help readers make their own evaluations and decisions, and are neither guarantees nor are they to be construed as express or implied warranties of suitability for these or other applications. National Oilwell makes no warranty, either express or implied, beyond that stipulated in National Oilwell's Standard Terms and Conditions of Sale which are available upon request.