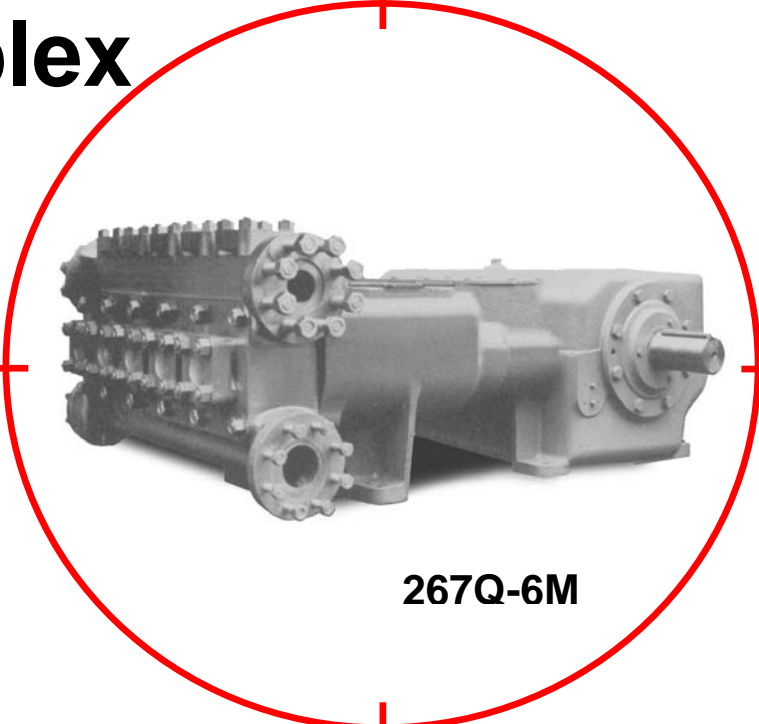
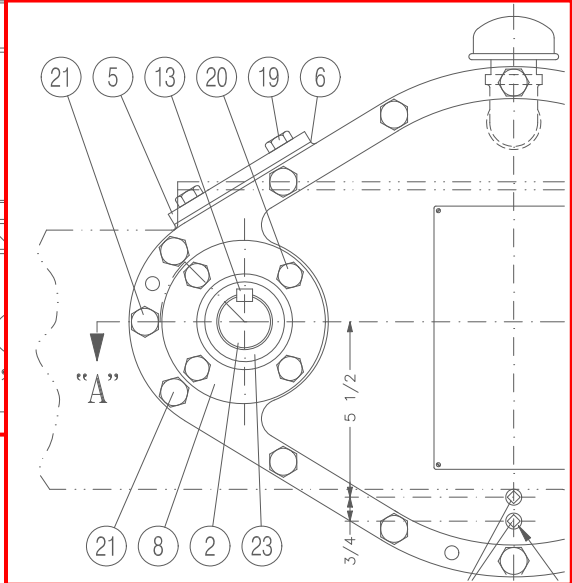
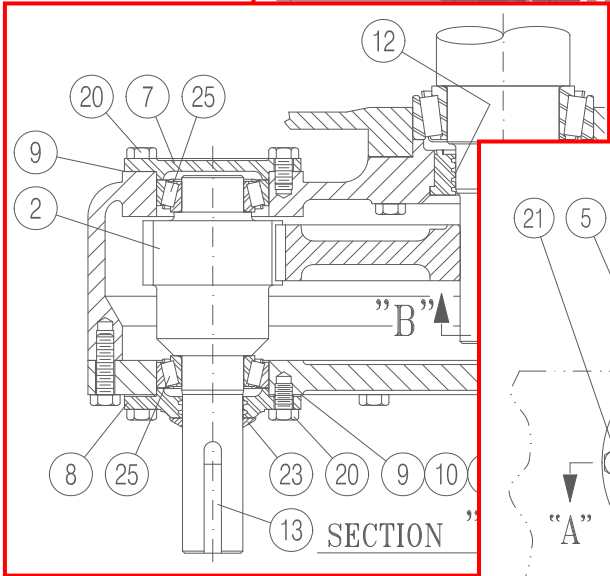
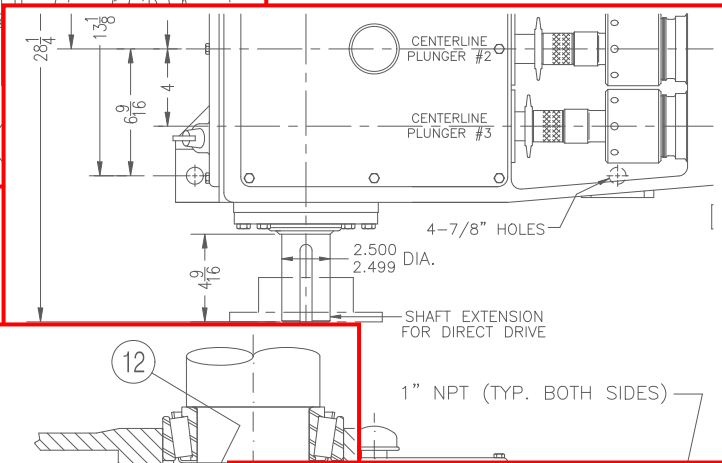
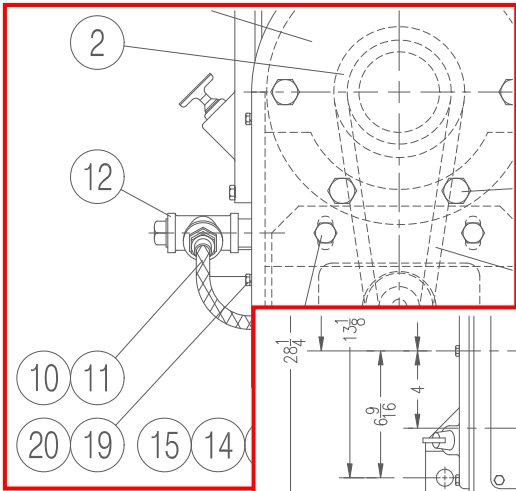


267Q-6M Quintuplex Plunger Pump Parts List



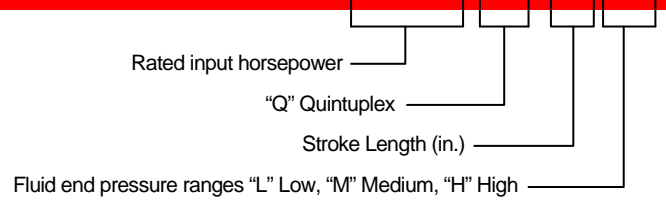
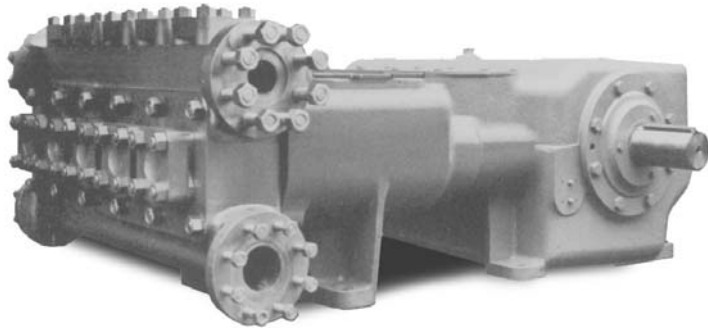
267Q-6M



**Types:
267Q-6M**

Sales / Technical Information

USA Tollfree: 1 (800) 324-4706
 Phone: 1 (918) 447-4600
 Fax: 1 (918) 447-4677
 Internet: <http://www.nov.com>

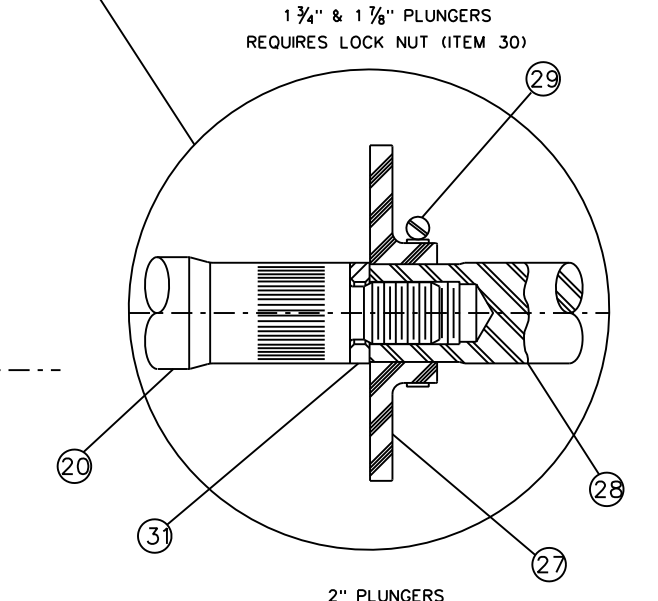
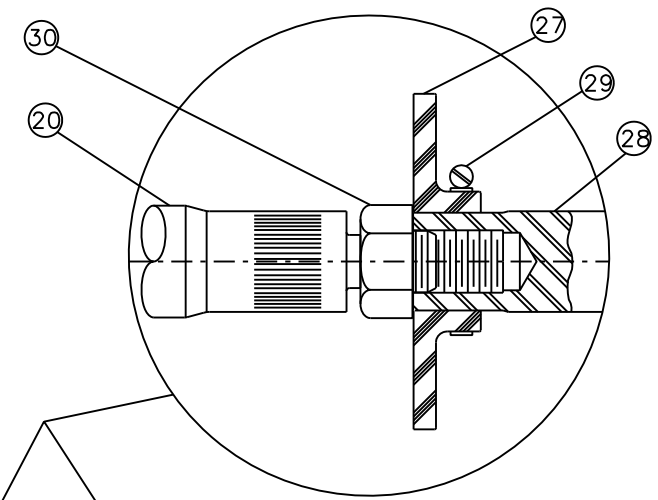
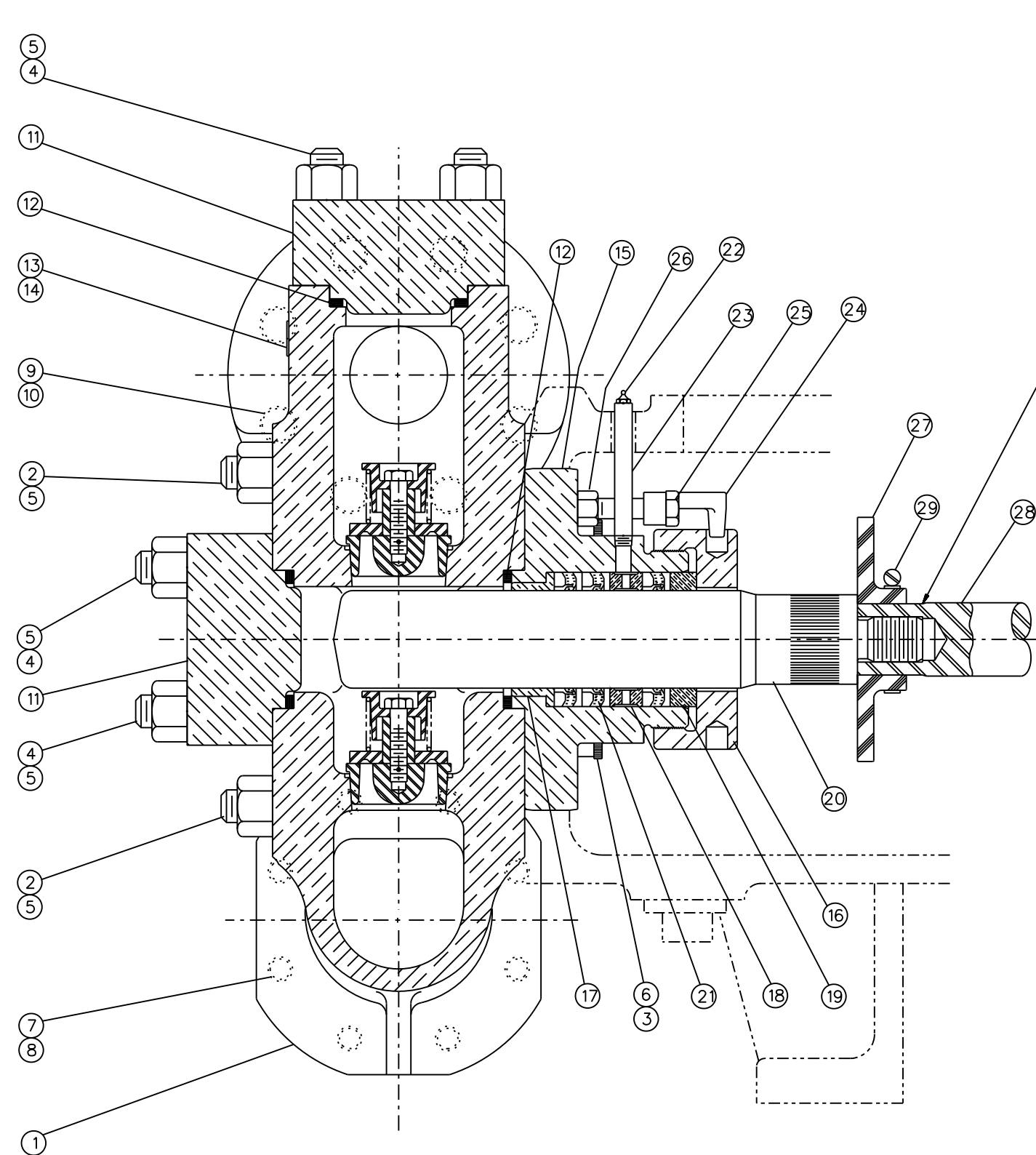


Index and Check List:

PAGE	DWG. NUMBER	DESCRIPTION	SERIES OF ISSUE	DATE OF ISSUE
1	P139-AA1	FLUID END ASSEMBLY	THIRD	9-7-90
2	P138-AA1	POWER END ASSEMBLY	FOURTH	6-1-89
3	P115-AM1	DIAPHRAGM ASSEMBLY	SECOND	1-25-06
4	P192-AC1	GEAR REDUCTION UNIT FOR DIRECT DRIVE	FOURTH	6-1-89
5	P192-AD1	GEAR REDUCTION UNIT FOR OVERHUNG LOAD	FOURTH	6-1-89
6	P138-AD1	LUBRICATOR ASSEMBLY	FOURTH	6-1-89
7	P161-AD1	STUFFING BOX LUBRICATION PIPING	FIRST	6-1-89
8	P139-2	OUTLINE DRAWING (LESS GEAR)	FOURTH	6-1-89
9	P139-A2	OUTLINE DRAWING (WITH DIRECT DRIVE GEAR)	THIRD	6-1-89
10	P139-B2	OUTLINE DRAWING (WITH OVERHUNG LOAD GEAR)	THIRD	6-1-89

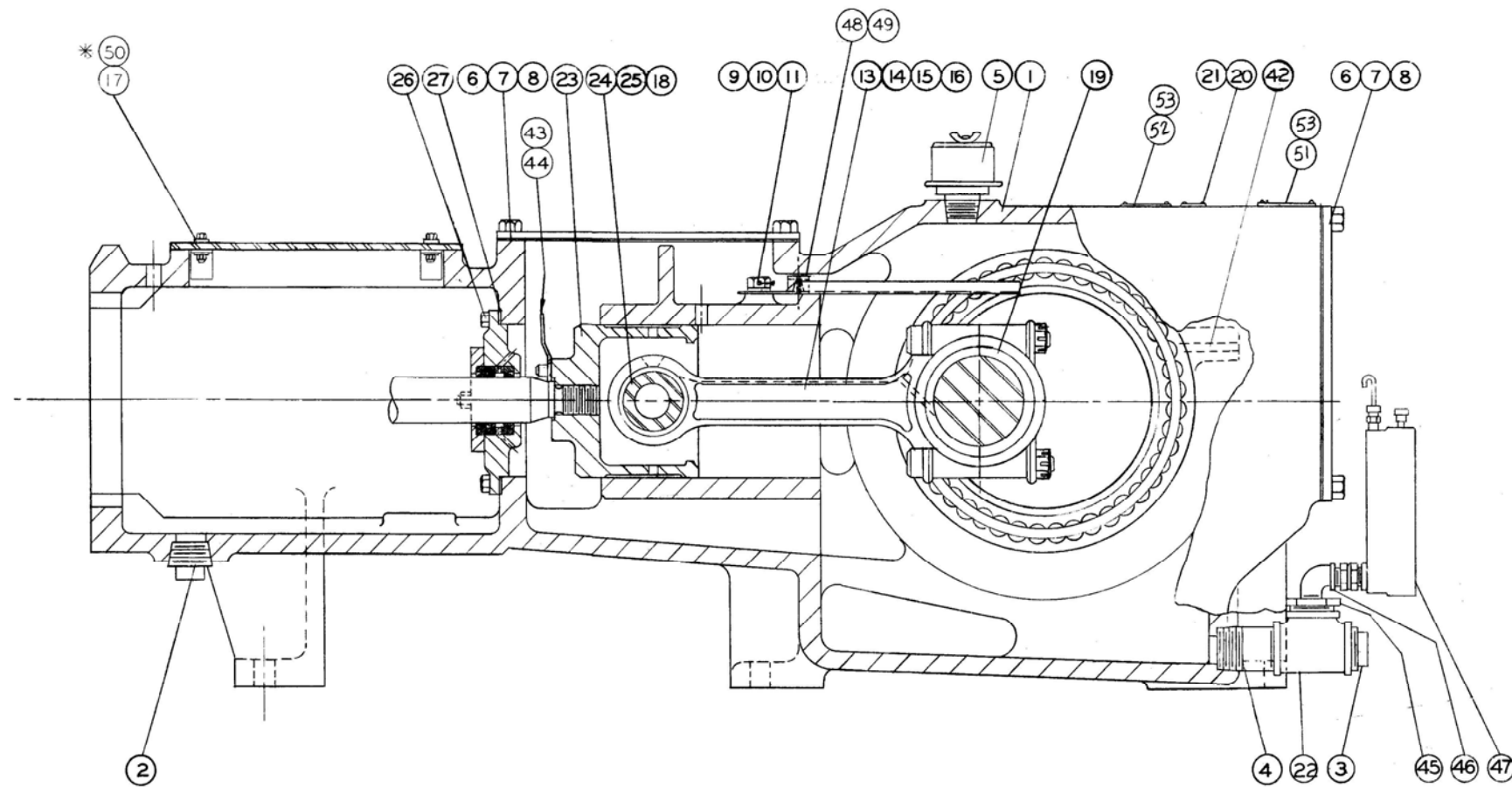
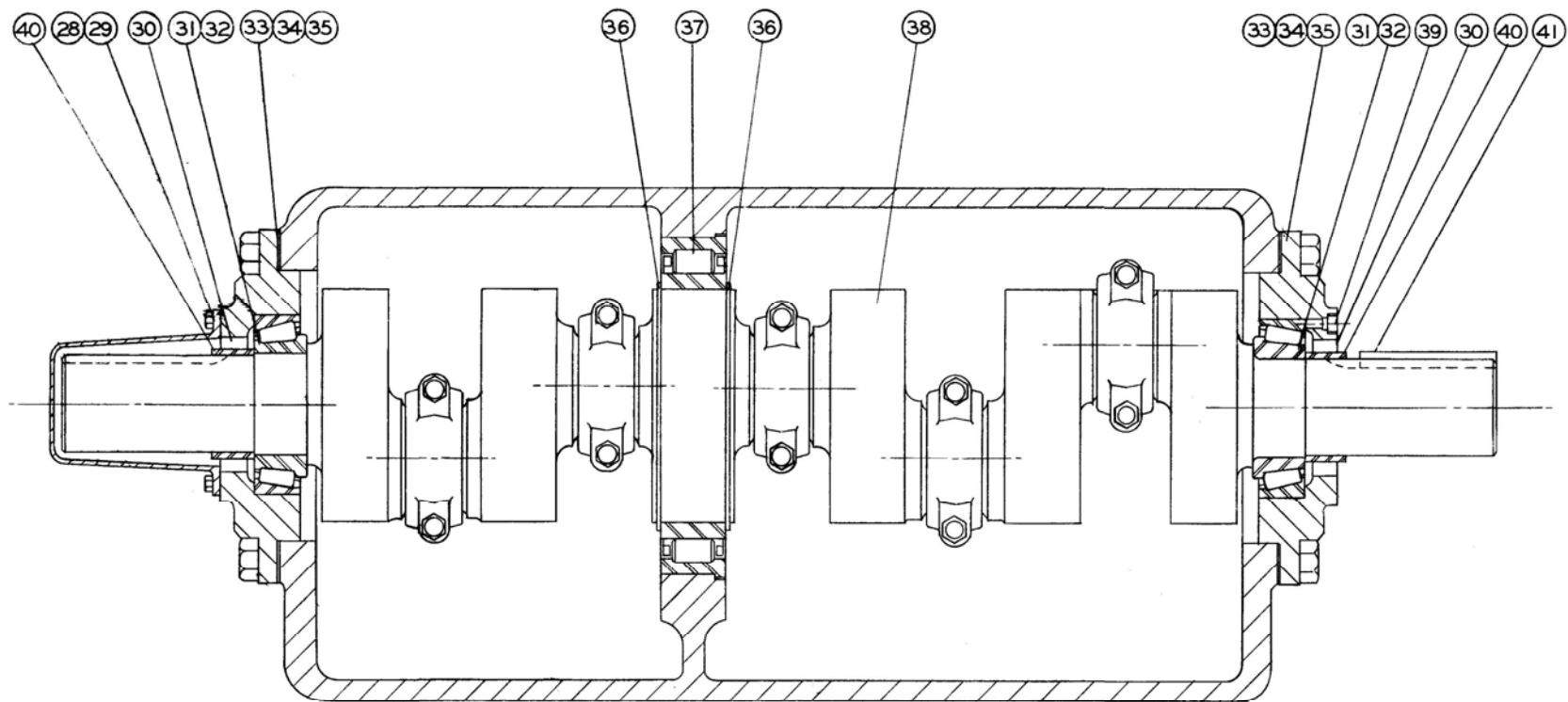
Revisions effective July 21, 2008 – updated logo on all pages; phone numbers and website on cover and index; drawing P139-AA1 and P115-AM1 redrawn.

LTR	454	DESCRIPTION OF CHANGE	MADE	CHKD	DATE	APPROVED	M NO
A		REVISED					496
B		REDRAWN W/O CHANGE	WGS	JRP	9-7-90	JCA	



QTY REQ	PART NO.	DESCRIPTION	ITEM NO.	QTY REQ	PART NO.	DESCRIPTION	ITEM NO.
5	08-412-046	PLATE, PLUNGER ADAPTER	31	5	08-425-013	GLAND, STUFFING BOX (1 3/4" - 1 1/8" PLUNGERS) (AL. BRZ.)	16
5	08-441-013	NUT, PLUNGER LOCK	30	5	08-425-003	GLAND, STUFFING BOX (2 - 2 3/8" PLUNGERS) (AL. BRZ.)	15
5	99-094-087	CLAMP, HOSE	29	5	08-425-002	GLAND, STUFFING BOX (2 1/2" - 3" PLUNGERS) (AL. BRZ.)	14
5	08-441-026	ROD, PLUNGER EXTENSION	28	5	08-423-006	STUFFING BOX (1 3/4" - 2 3/8" PLUNGERS) (AL. BRZ.)	13
5	08-441-027	BAFFLE, FLUID	27	5	08-423-003	STUFFING BOX (2 1/2" - 3" PLUNGERS) (AL. BRZ.)	12
5	75-510-310	NUT, 3/8"-11 HVY HEX	26	2	75-632-022	SCREW, *10 X 3/8" DRIVE	11
5	75-634-368	SCREW, HEX HD CAP 5/8"-11 X 4	25	1	08-200-003	PLATE, SERIAL NUMBER	10
5	08-425-008	GLAND PAWL	24	15	08-406-003	GASKET	9
5	08-523-005	NIPPLE, GREASE	23	10	08-406-007	CYLINDER HEAD & VALVE COVER	8
5	64-016-115	ALEMITE FITTING	22	16	75-511-750	NUT, 1 1/8" - 8 HVY HEX	7
5	08-215-044	PACKING SET (STYLE 838), 3"		16	15-371-949	STUD, 1 1/8" - 8 X 4 3/4	6
5	08-215-043	PACKING SET (STYLE 838), 2 3/4"		16	75-510-312	NUT, 3/4" - 10 HVY HEX	5
5	08-215-042	PACKING SET (STYLE 838), 2 1/2"		16	45-810-009	STUD, 3/4" - 10 X 3 1/4	4
5	08-415-001	PACKING SET (STYLE 838), 2 3/8"		20	75-513-523	ALLENUT, 1"-8 (CAD PLATED)	3
5	08-215-040	PACKING SET (STYLE 838), 2 1/4"		52	75-510-316	NUT, 1"-8 HVY HEX	2
5	08-415-000	PACKING SET (STYLE 838), 2 1/8"		40	45-810-002	STUD, 1"-8 X 4 3/4	1
5	08-215-038	PACKING SET (STYLE 838), 2"		20	45-810-000	STUD, 1"-8 X 3 1/2	
5	08-415-010	PACKING SET (STYLE 838), 1 7/8"		12	45-810-016	STUD, 1"-8 X 10 1/2	
5	08-415-009	PACKING SET (STYLE 838), 1 3/4"	21	1	08-700-031	FLUID END-STUDD (AL. BRZ.) (INCLS ITEMS 3 THRU 10)	


ASSOCIATED PARTS DRAWINGS	EFFECTIVE SERIAL NO'S	SEE L/M	NATIONAL OILWELL VARCO	
DESCRIPTION	DWG NO	DESIGNED BY	DATE	TITLE
POWER END	P138-AA1			PART DRAWING-FLUID END 267Q-6M QUINTUPLEX PUMP
GEAR RED. - DIR CONN	P192-AA1			
GEAR RED. - OVERHUNG LD	P192-AB1			
LUBRICATOR	P138-AD1			
OUTLINE DWG	P139-2			
VALVE ASSEMBLY	20-900-013			SIZE REFERENCE No. DRAWING No. REV
DIAPHRAGM	20-900-014			D P139-AA1 B
	P115-AM1			SCALE 1/4 EST WT SHEET 1 OF 1



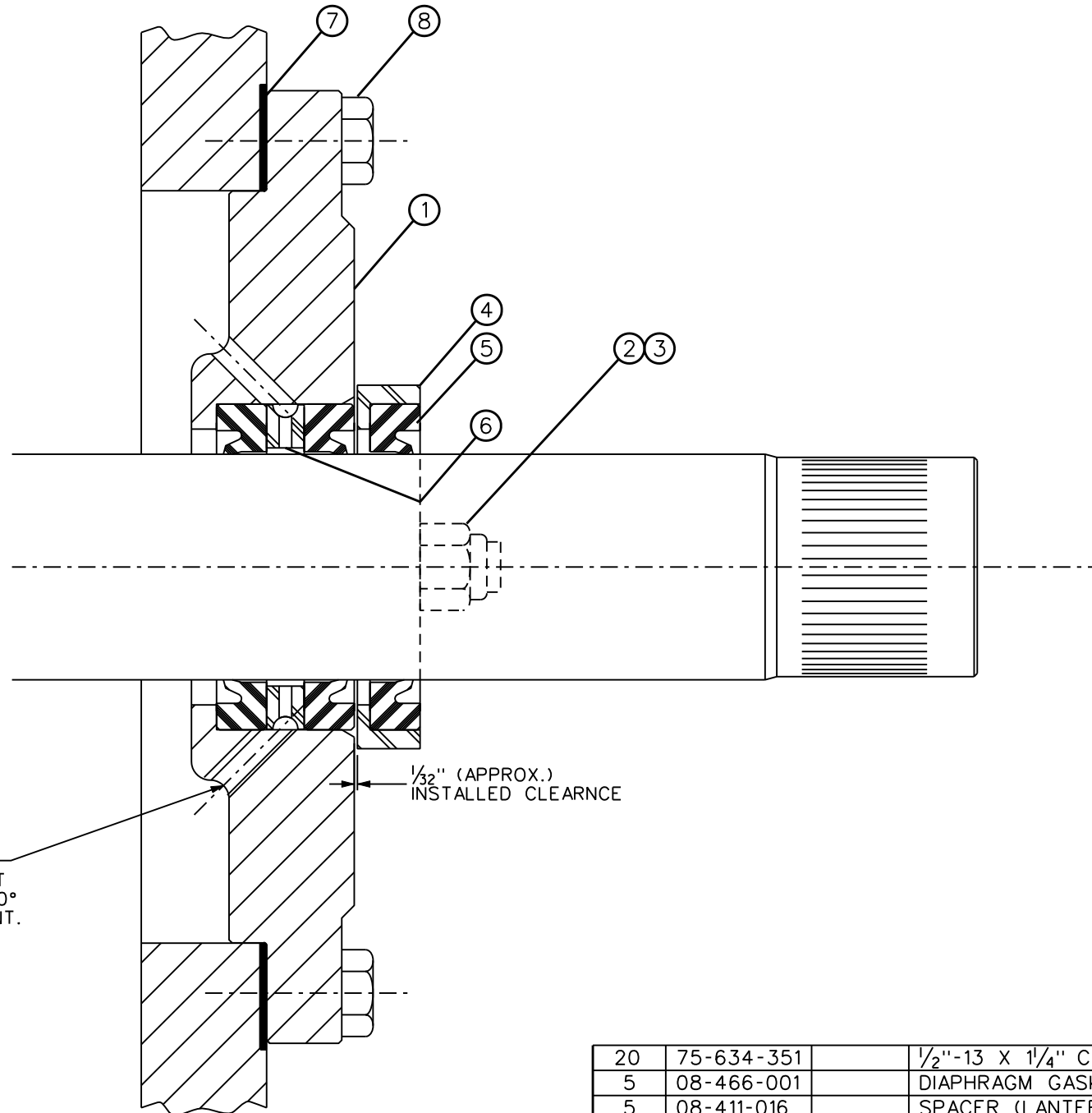
BILL OF MATERIAL			
ITEM	REQ'D.	COMM. NO.	DESCRIPTION
1	1	08-727-034	FRAME END - L/CRADLE STUDS
2	3	86-486-116	PIPE PLUG - 2
3	1	86-486-112	PIPE PLUG - 1-1/2
4	1	86-428-010	NIPPLE - 1-1/2 SCH. .80 x 3 LG.
5	1	64-229-100	BREATHER
6	2	08-727-005	FRAME DOOR - TOP & REAR
7	2	08-727-006	GASKET - FRAME DOOR
8	32	75-634-349	CAPSCREWS - 1/2 x 1 LG. HEX. HD.
9	3	08-727-038	OIL SCRAPER
10	6	45-143-105	CAPSCREW - 3/8 - 16 x 3/4 LG. HEX. HD. DR. HD.
11	-	59-800-016	16 GA. ANNEALED. ST WIRE
12	-	-	-
13	5	08-447-011	CONNECTING ROD W/BUSHING
14	10	08-247-009	BOLT - 3/4 - 16
15	10	75-313-111	NUT - 3/4 - 16 N.F. SLOTTED
16	10	75-102-005	COTTER PIN
17	1	08-727-042	COVER - CRADLE (STEEL)
18	5	08-017-130	BUSHING - CROSSHEAD PIN
19	5	08-444-002	BEARING - CRANKPIN (2-HALVES)
20	1	08-727-010	OIL SPECIFICATION PLATE
21	4	75-632-012	DRIVE SCREWS - #2 x 1/4 LG.
22	1	86-543-112	TEE 1-1/2
23	5	08-804-032	CROSSHEAD
24	10	75-660-003	RETAINER RING
25	5	08-017-706	CROSSHEAD PIN
26	20	75-634-351	CAPSCREWS - 1/2 - 13 x 1-1/4 LG. HEX. HD.
27	5	08-466-001	GASKET - 1/16 THK. DIAPHRAGM
28	1	08-727-008	SHAFT COVER
29	3	75-634-354	CAPSCREW 1/2 - 13 x 1-3/4 LG. HEX. HD.
30	2	68-630-665	OIL SEAL
31	2	65-010-542	BEARING CONE
32	2	65-013-235	BEARING CUP
33	2	08-802-003	BEARING HOUSING
34	2	08-751-000	SHIMS - BEARING HOUSING
35	16	75-634-400	CAPSCREWS - 7/8 - 9 x 2 LG. HEX. HD.
36	2	75-670-175	RETAINER RING - BEARING
37	1	65-102-252	BEARING - INTERMEDIATE
38	1	08-742-002	CRANKSHAFT
39	3	75-635-625	CAPSCREW - 1/2 - 13 x 1 LG. SKT. HD.
40	2	08-802-031	WEAR RING
41	1	45-123-314	KEY - 3/4 x 1 x 6-1/2 LG.
42	1	75-555-067	ROLL PIN
43	5	08-412-170	PLATE - CROSSHEAD BAFFLE
44	10	75-635-623	CAPSCREW 1/2 - 13 x 3/4 LG. SOCKET HD. LG. LOCK
45	1	86-061-025	BUSHING 1-1/2 x 1/2
46	1	86-342-104	STREET ELBOW 1/2
47	1	64-661-271	SWITCH - OIL SAFETY
48	3	08-800-283	PIN
49	3	99-000-525	MAGNET
50	1	08-727-043	COVER - CRADLE (PLEXIGLASS)
51	1	45-805-422	PLATE - CAUTION
52	1	10-300-240	PLATE - LUBE
53	8	75-632-012	DRIVE SCREW #2 x 1/4 LG

2

* OPTIONAL

			
HOUSTON, TEXAS U.S.A.		ENGINEERING, McALESTER, OKLAHOMA	
TITLE POWER END ASSEMBLY 267Q-6M QUINTUPLEX PLUNGER PUMP			
SIZE B	REFERENCE No.	DRAWING No. P138-AA1	REV
SCALE NONE	EST WT	SHEET 1 OF 1	

LTR	DESCRIPTION OF CHANGE	MADE	CHKD	DATE	APPROVED	M NO.



NOTE: INSTALL DIAPHRAGM HOUSING WITH DRAIN HOLE AT BOTTOM. THE OTHER HOLE (180° ADJACENT) WILL SERVE AS VENT.

1/32" (APPROX.)
INSTALLED CLEARANCE

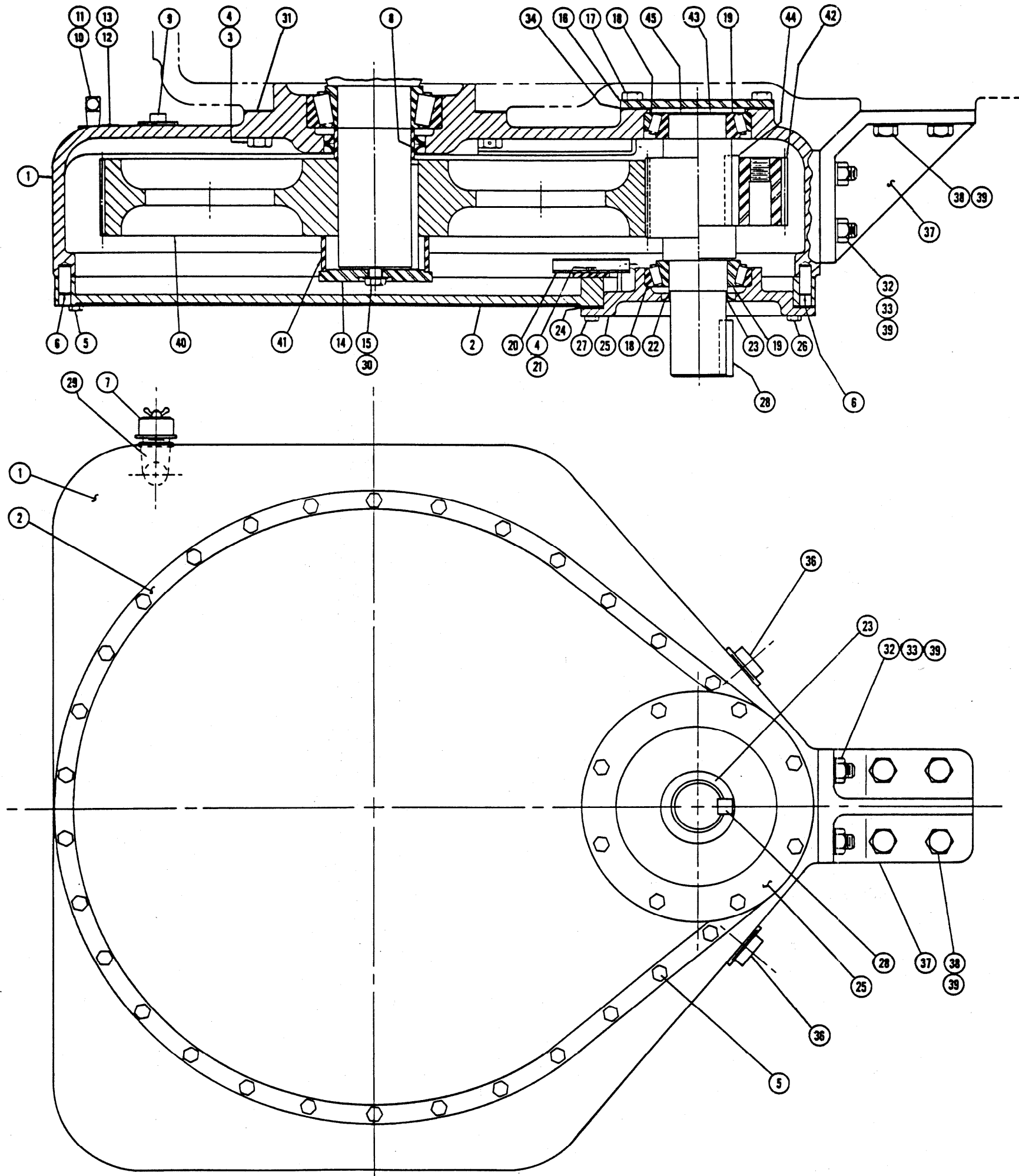
QTY REQ'D	PART NO.	IDENT CODE No	DESCRIPTION	ITEM NO.
20	75-634-351		1/2"-13 X 1/4" CAPSCREW	8
5	08-466-001		DIAPHRAGM GASKET	7
5	08-411-016		SPACER (LANTERN RING)	6
15	08-466-012		WIPER RING	5
5	08-467-006		DIAPHRAGM GLAND	4
10	49-002-925		1/2"-13 X 2" STUD	3
10	75-509-994		1/2"-13 LOCKING NUT	2
5	08-466-010		DIAPHRAGM HOUSING (INCLUDES ITEMS 2 & 3)	1

LIST OF MATERIAL

3

DWG NO P115-AM1 SH 1

DESIGNED BY		DATE			TITLE	
DRAWN BY WFL		DATE 1.25.06			DIAPHRAGM ASSEMBLY 6" STROKE PLUNGER PUMP	
CHECKED BY RPQ		DATE 1.25.06	SIZE	REFERENCE No.	DRAWING No.	REV
P.E. APPROVAL JCA		DATE 1.25.06	C		P115-AM1	
G.A. REVIEW		DATE	SCALE 1/1	EST WT	SHEET 1 OF 1	



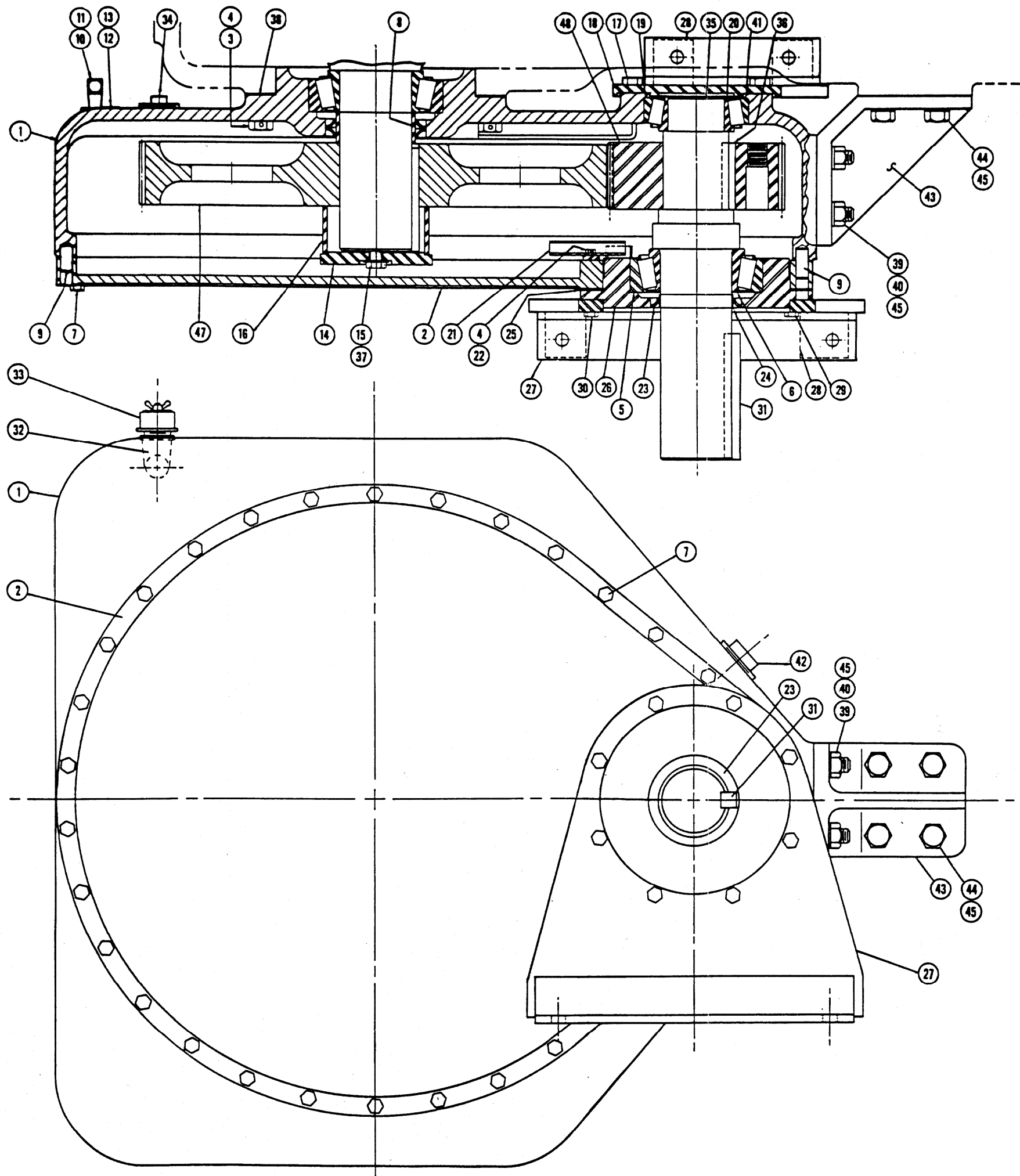
BILL OF MATERIAL			
ITEM	REQ'D	COMM NO	DESCRIPTION
1	1	08-802-049	GEAR CASE ASSY. (INCL. ITEMS 2, 5, 6, 32 & 33)
2	1		COVER, GEAR CASE
3	8	45-802-609	7/8-9 X 2-1/2 DRLD HEX HD HT CAPSCREW
4		59-800-016	16 GA ANNEALED STL WIRE
5	28	75-635-043	1/2-13 X 2-1/4 HEX HD HT CAPSCREW
6	2	45-804-110	DOWEL PIN (1/2 X 1-7/8)
7	1	64-229-100	BREATHER
8	1	68-630-665	OIL SEAL
9	1	08-802-047	MAGNET ASSEMBLY
10	1	64-661-402	GAUGE, OIL LEVEL
11	1	86-486-104	1/2 CI SOLID SQ HD PIPE PLUG
12	1	08-802-032	PLATE, OIL LEVEL
13	6	75-632-012	No. 2 X 1/4 DRIVE SCREW
14	1	08-802-026	PLATE, RETAINING
15	1	75-635-178	1-1/4 - 8 X 2 HEX HD HT CASCREW
16	1	08-802-024	COVER
17	4	75-634-373	3/4-10 X 1-1/2 HEX HD HT CAPSCREW
18	2	65-013-185	PINION BEARING CUP
19	2	65-010-428	PINION BEARING CONE
20	1	08-802-025	TROUGH, OIL
21	2	34-030-140	3/8-16 X 7/8 DRLD HEX HD HT CAPSCREW
22	1	68-630-460	OIL SEAL
23	1	68-632-104	WEAR RING
24	6	08-802-018	SHIM SET (1 REQ'D) CONSISTS OF THE FOLLOWING
	5	08-802-019	SHIM (.005" THICK)
	3	08-802-020	SHIM (.007" THICK)
	3	08-802-021	SHIM (.020" THICK)
25	1	08-802-006	HOUSING, PINION BEARING
26	6	75-634-350	1/2-13 X 3 HEX HD HT CAPSCREW
27	2	75-634-351	1/2-13 X 1-1/4 HEX HD HT CAPSCREW
28	1	45-803-808	KEY (7/8 X 7/8 X 3-1/2)
29	1	86-342-112	1-1/2 X 90° 150# MI STREET ELBOW
30	1	75-770-480	1-1/4 EXTERNAL SHAKEPROOF LOCKWASHER
31	1	08-802-050	GASKET
32	4	45-810-018	7/8-9 X 3 STUD
33	4	75-510-314	7/8-9 HEAVY STL HEX NUT
34	1	08-802-052	GASKET
35*	1	17-127-119	PLATE, LUBRICATION INSTRUCTION*
36	2	86-485-124	3" CI CORED SQ HD PIPE PLUG
37	1	08-802-048	SUPPORT, GEAR
38	4	75-634-400	7/8-9 X 2 HEX HD HT CAPSCREW
39	8	75-772-307	7/8 PLATE WASHER
2.898:1 GEAR RATIO			
40	1	08-802-012	GEAR (170 TEETH)
41	1	08-802-027	SPACER, GEAR
42	1	08-802-017	PINION (63 TEETH)
43	1	08-802-005	SHAFT, PINION
44	1	45-122-604	KEY (7/8 X 7/8 X 4-1/4)
3.680:1 GEAR RATIO			
40	1	08-802-008	GEAR (184 TEETH)
41	1	08-802-027	SPACER, GEAR
42	1	08-802-046	PINION (50 TEETH)
43	1	08-802-005	SHAFT, PINION
44	1	45-122-604	KEY (7/8 X 7/8 X 4-1/4)
5.500:1 GEAR RATIO			
40	1	08-802-011	GEAR (264 TEETH)
41	1	08-802-028	SPACER, GEAR
45	1	08-802-045	PINION SHAFT W/INTEGRAL PINION (48 TEETH)
7.315:1 GEAR RATIO			
40	1	08-802-009	GEAR (278 TEETH)
41	1	08-802-029	SPACER, GEAR
45	1	08-802-044	PINION SHAFT W/INTEGRAL PINION (38 TEETH)
9.500:1 GEAR RATIO			
40	1	08-802-010	GEAR (285 TEETH)
41	1	08-802-030	SPACER, GEAR
45	1	08-802-043	PINION SHAFT W/INTEGRAL PINION (30 TEETH)

* NOT ILLUSTRATED ON THIS DRAWING.

NATIONAL OILWELL VARCO
HOUSTON, TEXAS U.S.A. ENGINEERING, McALESTER, OKLAHOMA

TITLE: GEAR REDUCTION UNIT FOR DIRECT DRIVE
267Q-6M QUINTUPLEX PLUNGER PUMP

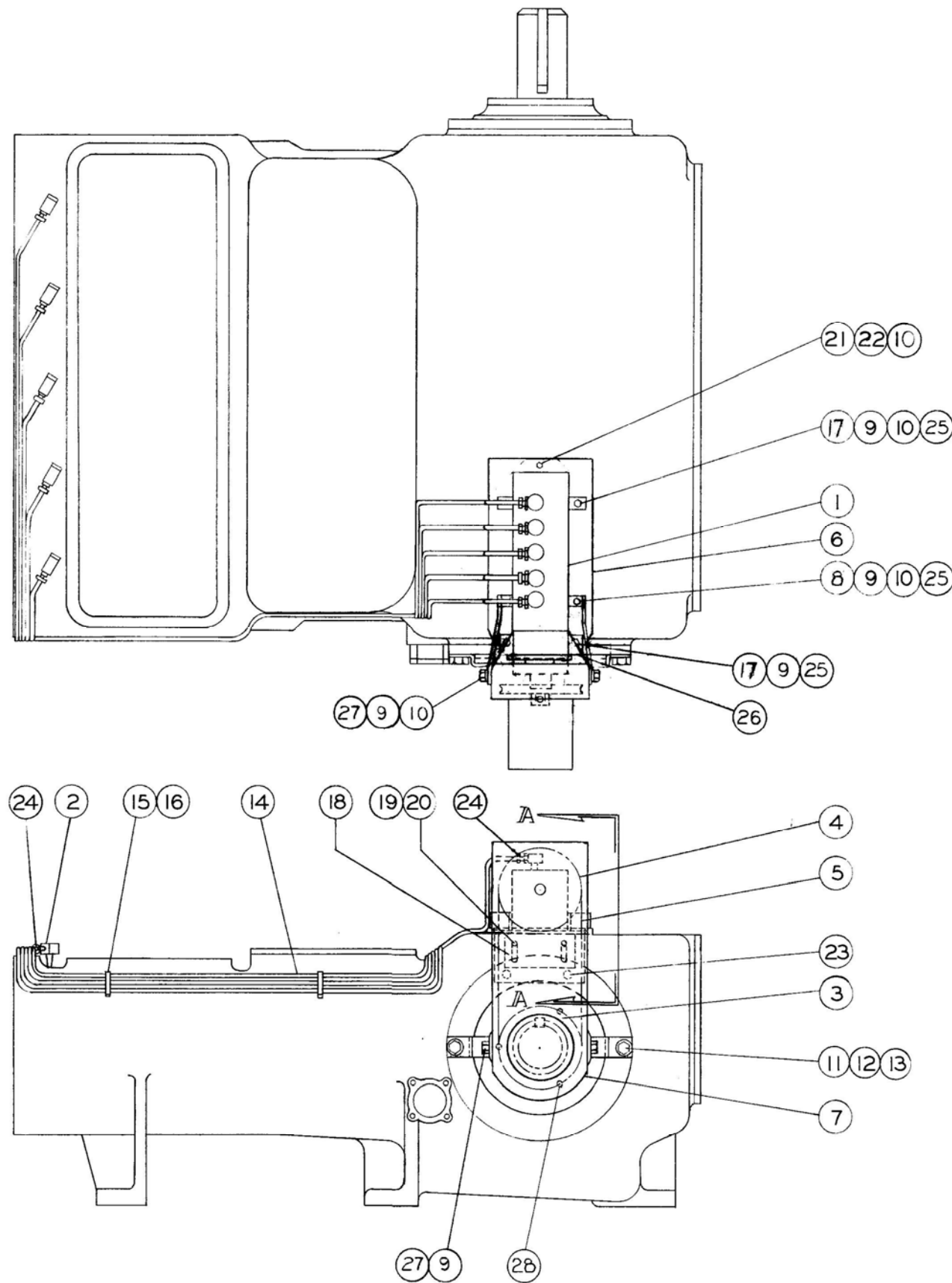
SIZE B	REFERENCE No.	DRAWING No. P192-AC1	REV
SCALE NONE	EST WT	SHEET 1 OF 1	



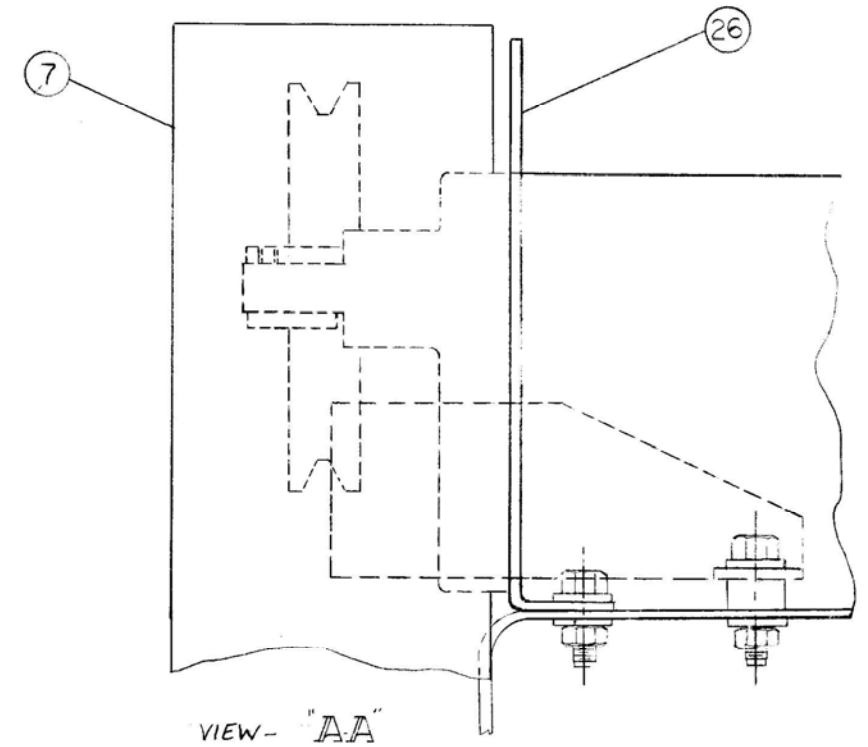
BILL OF MATERIAL			
ITEM	REQ'D	COMM NO	DESCRIPTION
1	1	08-802-049	GEAR CASE ASSY. (INCL. ITEMS 2, 7, 9, 39 & 40)
2	1		COVER, GEAR CASE
3	8	45-802-809	7/8-9 X 2-1/2 DRLD HEX HD HT CAPSCREW
4		59-800-016	16 GA ANNEALED STL WIRE
5	1	65-013-235	BEARING CUP
6	1	65-010-542	BEARING CONE
7	28	75-635-043	1/2-13 X 2-1/4 HEX HD HT CAPSCREW
8	1	68-630-665	OIL SEAL
9	2	45-804-110	DOWEL (1/2 X 1-7/8)
10	1	64-661-402	GAUGE, OIL LEVEL
11	1	86-486-104	1/2 CI SOLID SQ HD PIPE PLUG
12	1	08-802-032	PLATE, OIL LEVEL
13	6	75-632-012	No. 2 X 1/4 DRIVE SCREW
14	1	08-802-026	PLATE, RETAINING
15	1	75-635-178	1-1/4 -8 X 2 HEX HD HT CAPSCREW
16	1	08-802-027	SPACER, GEAR
17	4	75-634-373	3/4-10 X 1-1/2 HEX HD HT CAPSCREW
18	1	08-802-022	RETAINER, BEARING
19	1	65-013-222	BEARING CUP
20	1	65-010-520	BEARING CONE
21	1	08-802-025	TROUGH, OIL
22	2	34-030-140	3/8-16 X 7/8 DRLD HEX HD HT CAPSCREW
23	1	68-630-620	OIL SEAL
24	1	68-632-113	WEAR RING
25		08-802-018	SHIM SET (1 REQ'D) CONSISTS OF THE FOLLOWING
	6	08-802-019	SHIM (.005" THK.)
	5	08-802-020	SHIM (.007" THK.)
	3	08-802-021	SHIM (.020" THK.)
26	1	08-802-007	HOUSING, PINION BEARING
27	1	08-802-023	PEDESTAL
28		45-803-316	SHIM SET (4 REQ'D.) CONSISTS OF THE FOLLOWING
	24	45-803-317	SHIM (.005" THK.)
	20	45-803-318	SHIM (.007" THK.)
	12	45-803-319	SHIM (.020" THK.)
	8	45-803-020	SHIM (.0625" THK.)
29	6	75-634-331	1/2-13 X 3-3/4 HEX HD HT CAPSCREW
30	2	75-634-353	1/2-13 X 2 HEX HD HT CAPSCREW
31	1	45-122-517	KEY (1" X 1" X 8)
32	1	86-342-112	1-1/2 X 90° 150# MI STREET ELBOW
33	1	64-229-100	BREATHER
34	1	08-802-047	MAGNET ASSEMBLY
35	1	08-802-004	SHAFT, PINION
36	1	45-803-823	KEY (7/8 X 7/8 X 4)
37	1	75-770-480	1-1/4 EXTERNAL SHAKEPROOF LOCKWASHER
38	1	08-802-050	GASKET
39	4	45-810-018	7/8-9 X 3 STUD
40	4	75-510-314	7/8-9 HEAVY STL HEX NUT
41	1	08-802-052	GASKET
42	2	86-485-124	3" CI CORED SQ HD PIPE PLUG
43	1	08-802-048	SUPPORT, GEAR
44	4	75-634-400	7/8-9 X 2 HEX HD HT CAPSCREW
45	8	75-772-307	7/8 EXTERNAL SHAKEPROOF LOCKWASHER
46*	1	17-127-119	PLATE, LUBRICATION INSTRUCTION*
			2.688:1 GEAR RATIO
47	1	08-802-012	GEAR (170 TEETH)
48	1	08-802-017	PINION (63 TEETH)
			3.680:1 GEAR RATIO
47	1	08-802-008	GEAR (184 TEETH)
48	1	08-802-046	PINION (50 TEETH)

* NOT ILLUSTRATED ON THIS DRAWING.

		HOUSTON, TEXAS U.S.A.		ENGINEERING, McALESTER, OKLAHOMA	
		TITLE GEAR REDUCTION UNIT FOR OVERHUNG LOAD 267Q-6M QUINTUPLEX PLUNGER PUMP			
SIZE	REFERENCE No.	DRAWING No.	REV		
B		P192-AD1			
SCALE	NONE	EST WT	SHEET 1 OF 1		



BILL OF MATERIAL			
ITEM	REQ'D.	COMM. NO.	DESCRIPTION
1	1	08-685-003	LUBRICATOR (INCL. ITEM 2)
2	5		ANGLE CHECK VALVE
3	1	16-585-010	DRIVING SHEAVE
4	1	68-650-431	AS 54 BROWNING SHEAVE
5	1	96-076-048	A 48 THERMOID "V" BELT
6	1	08-785-004	LUBRICATOR MOUNTING PLATE
7	1	08-785-007	LUBRICATOR BELT GUARD
8	2	75-634-342	CAPSCREW 3/8 - 16 X 1-1/2 HEX HD
9	16	75-770-303	LOCKWASHER 3/8"
10	12	75-770-203	WASHER 3/8 W. I.
11	2	75-635-063	CAPSCREW 7/8 - 9 X 7/8" HEX. HD.
12	2	75-770-497	LOCKWASHER 7/8
13	2	75-770-207	WASHER 7/8 W. I.
14	42 FT.	64-699-208	COPPER TUBING - 1/4"
15	2	64-228-300	TUBING CLIP
16	4	75-634-880	SCREW 1/4 - 20 X 1/2 ROUND HD.
17	4	75-634-340	CAPSCREW 3/8 - 16 X 1-1/4 HEX. HD.
18	1	08-485-034	LUBRICATOR SUPPORT
19	2	75-634-351	CAPSCREW 1/2 X 1-1/4 LG. HEX. HD.
20	2	75-770-204	WASHER 1/2 WROT IRON
21	1	75-634-533	SETSCREW 1/2 - 13 X 3" LG. SQ.HD.
22	2	75-510-506	JAM NUT 1/2 HEX HD.
23	2	75-634-403	CAPSCREW 7/8 X 2-1/4" LG. HEX. HD.
24	10	64-227-000	MALE CONNECTOR - 1/4 X 1/8
25	6	75-510-404	NUT 3/8-16
26	1	08-627-039	COVER
27	4	75-634-335	CAPSCREW 3/8-16 X 5/8
28	3	75-635-625	CAPSCREW 1/2 - 13 X 1" LG. SOC HD.



6

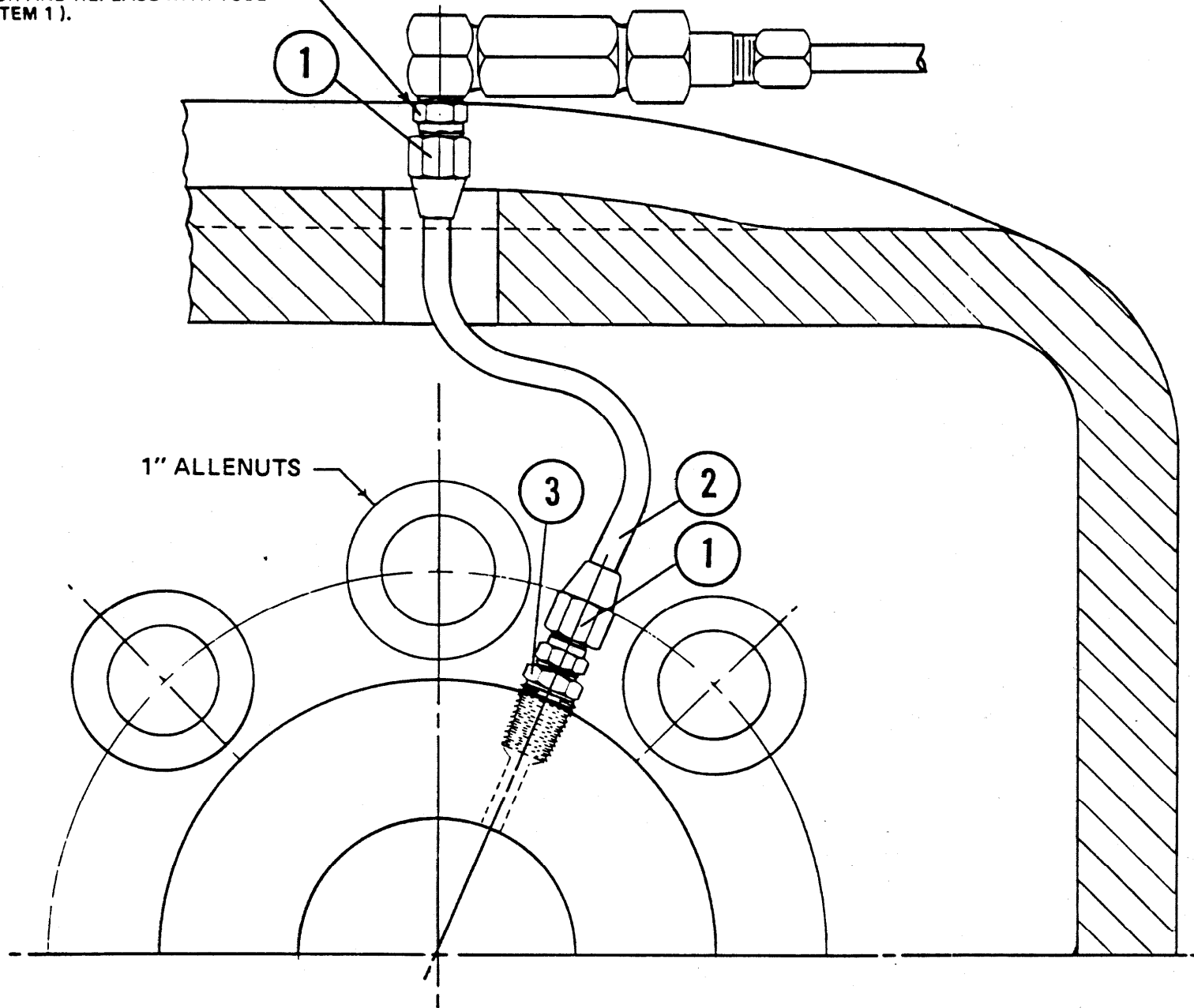
NATIONAL OILWELL VARCO
 HOUSTON, TEXAS U.S.A. ENGINEERING, McALESTER, OKLAHOMA

TITLE
 LUBRICATOR ASSEMBLY
 267Q-6M QUINTUPLEX PLUNGER PUMP

SIZE	REFERENCE No.	DRAWING No.	REV
B		P138-AD1	

SCALE NONE EST WT SHEET 1 OF 1

NOTE:
 REMOVE 1/8 MALE PIPE THREAD FITTING
 FROM CHECK VALVE FURNISHED WITH
 LUBRICATOR AND REPLACE WITH TUBE
 FITTING (ITEM 1).



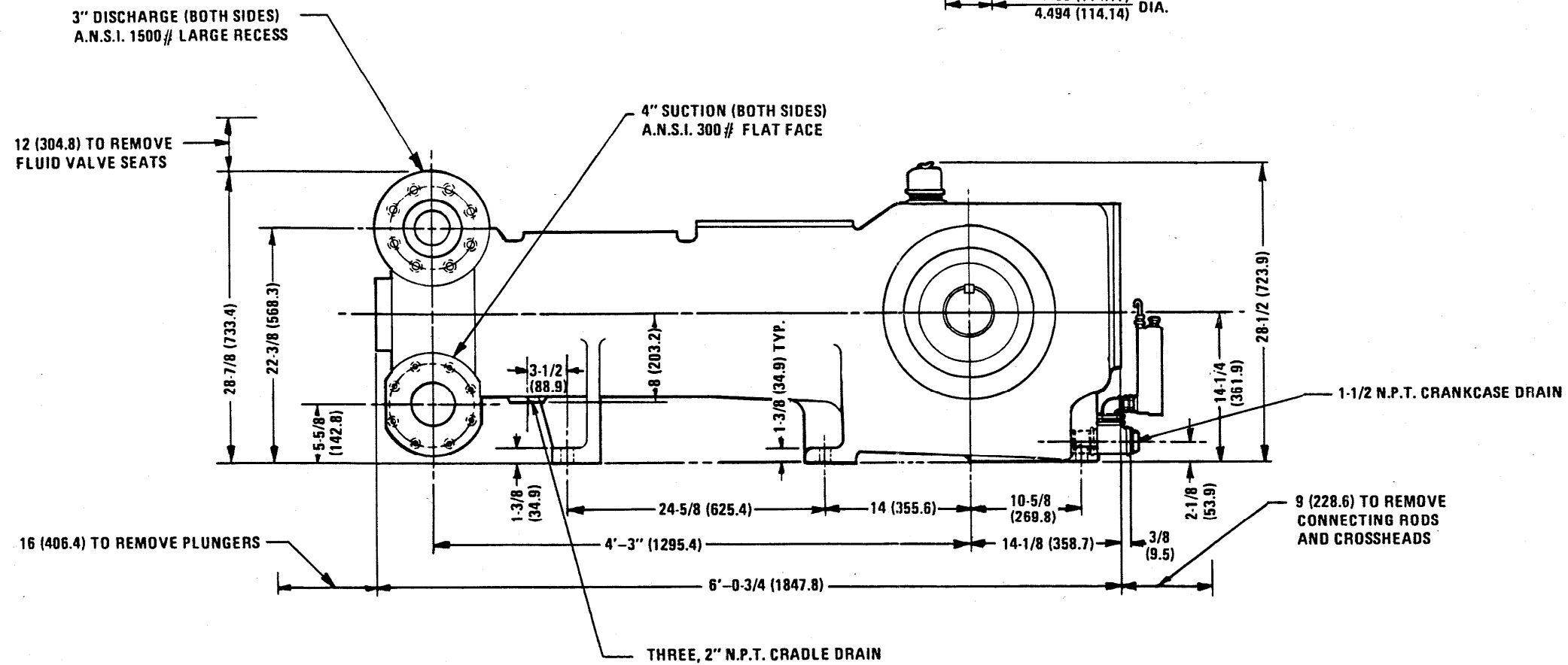
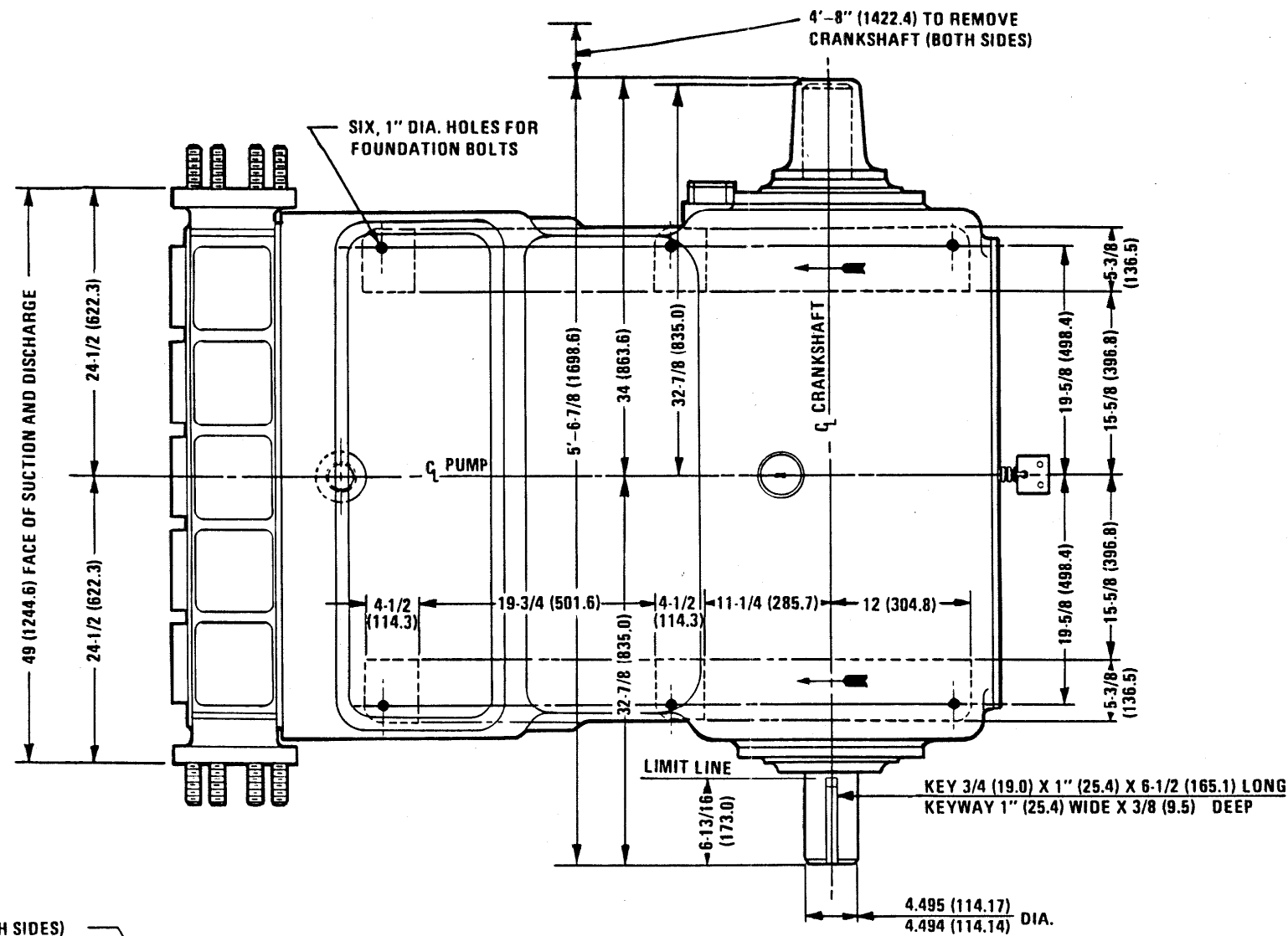
BILL OF MATERIAL			
ITEM	REQ'D	COMM NO	DESCRIPTION
1	10	64-227-000	1/4 T X 1/8 PT MALE COMPRESSION CONNECTOR
2		64-699-208	1/4 OD COPPER TUBING (.049" THK WALL)
3	5	78-069-001	1/4 X 1/8 F.S. PIPE BUSHING

7

		NATIONAL OILWELL VARCO	
HOUSTON, TEXAS U.S.A.		ENGINEERING, McALESTER, OKLAHOMA	
TITLE			
STUFFING BOX LUBRICATION PIPING			
267Q-6M QUINTUPLEX PLUNGER PUMP			
SIZE	REFERENCE No.	DRAWING No.	REV
B		P161-AD1	
SCALE	EST WT	SHEET 1 OF 1	
NONE			

NOTE: THESE DIMENSIONS ARE ACCURATE BUT SHOULD NOT BE USED FOR INSTALLATION UNLESS CERTIFIED. DIMENSIONS IN BRACKETS ARE MEASURED IN MILLIMETERS.

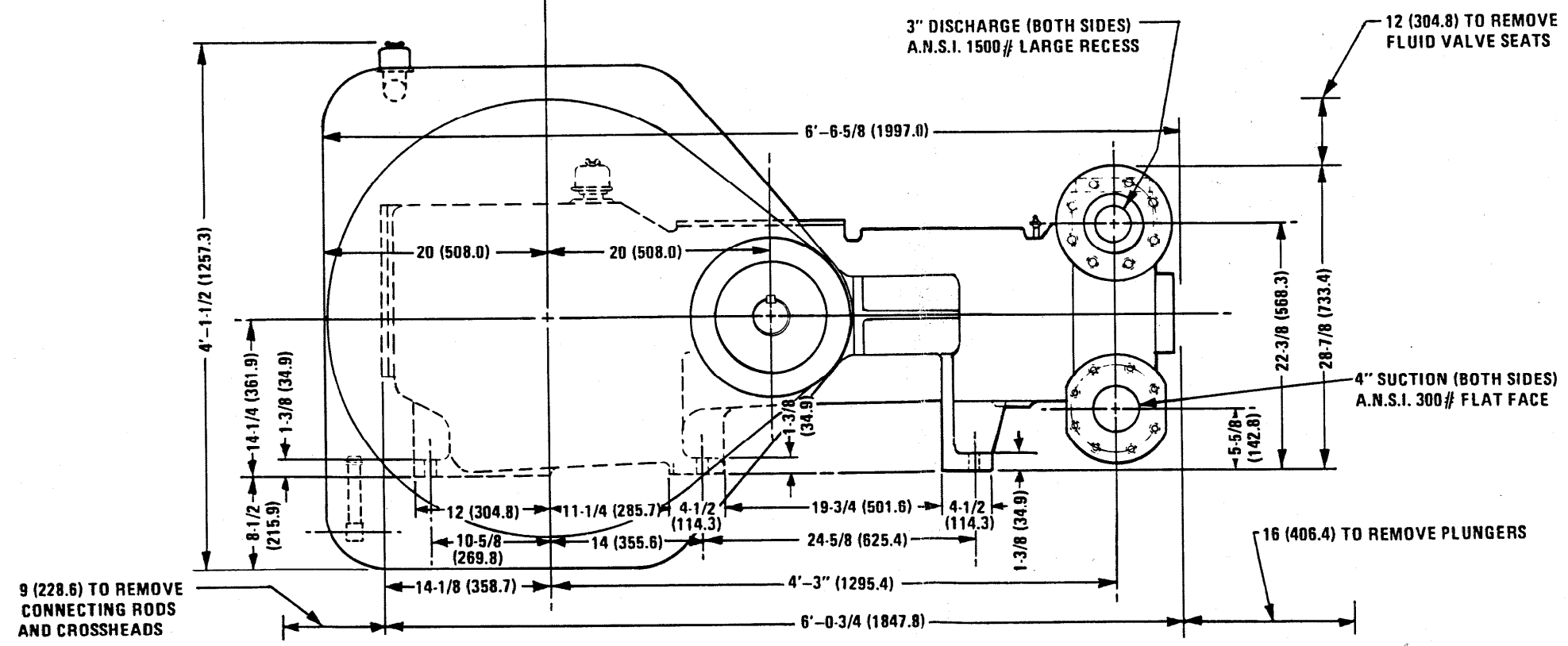
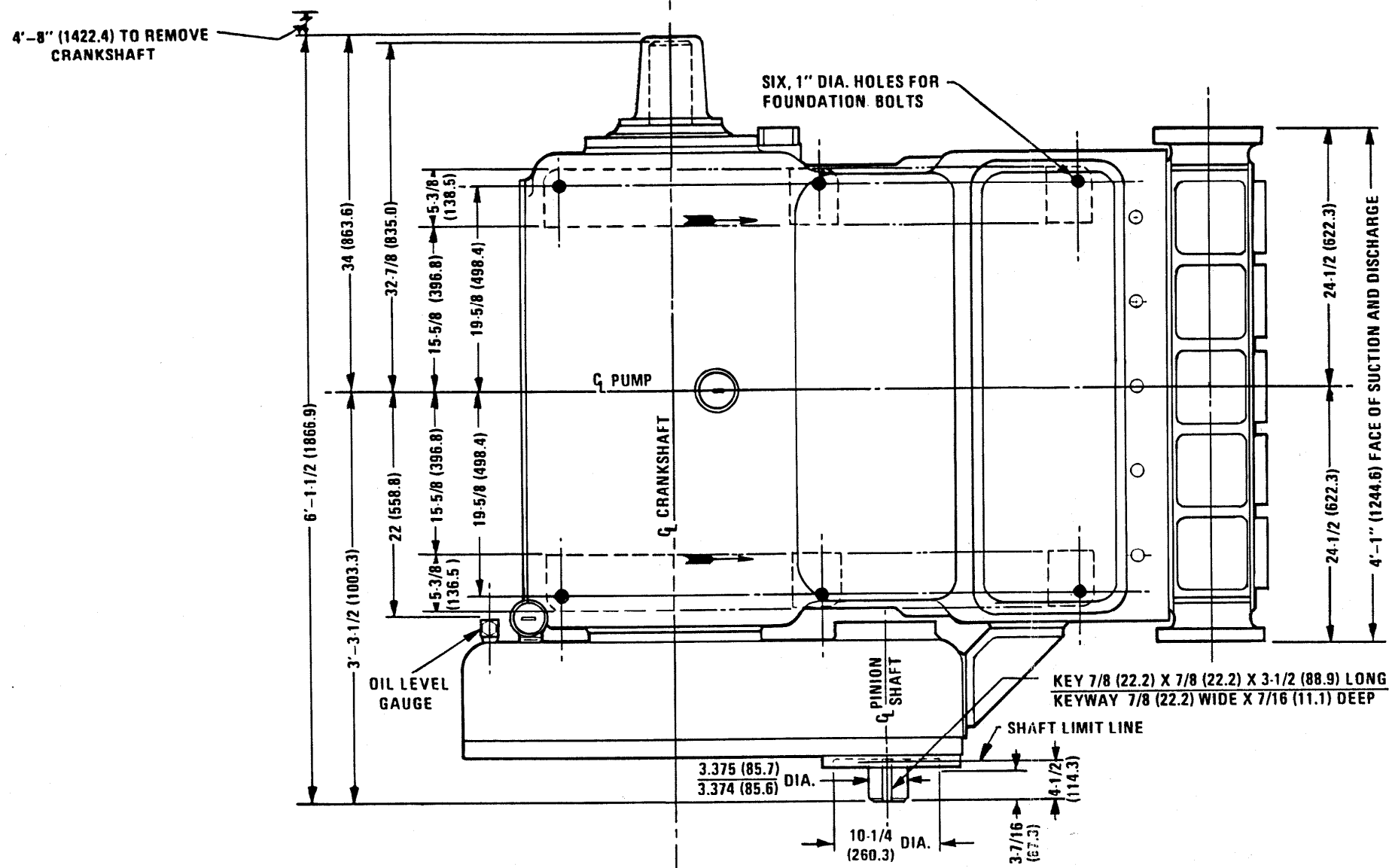
PUMP, AS SHOWN, IS FOR LEFT HAND DRIVE. RIGHT HAND DRIVE IS OPPOSITE THAT SHOWN.



HOUSTON, TEXAS U.S.A. ENGINEERING, MCLESTER, OKLAHOMA			
TITLE OUTLINE DRAWING (LESS GEAR) 267Q-6M QUINTUPLEX PLUNGER PUMP			
SIZE	REFERENCE No.	DRAWING No.	REV
B		P139-2	
SCALE	EST WT	SHEET 1 OF 1	
NONE			

NOTE: THESE DIMENSIONS ARE ACCURATE BUT SHOULD NOT BE USED FOR INSTALLATION UNLESS CERTIFIED. DIMENSIONS IN BRACKETS ARE MEASURED IN MILLIMETERS.

PUMP, AS SHOWN, IS FOR RIGHT HAND DRIVE. LEFT HAND DRIVE IS OPPOSITE THAT SHOWN.



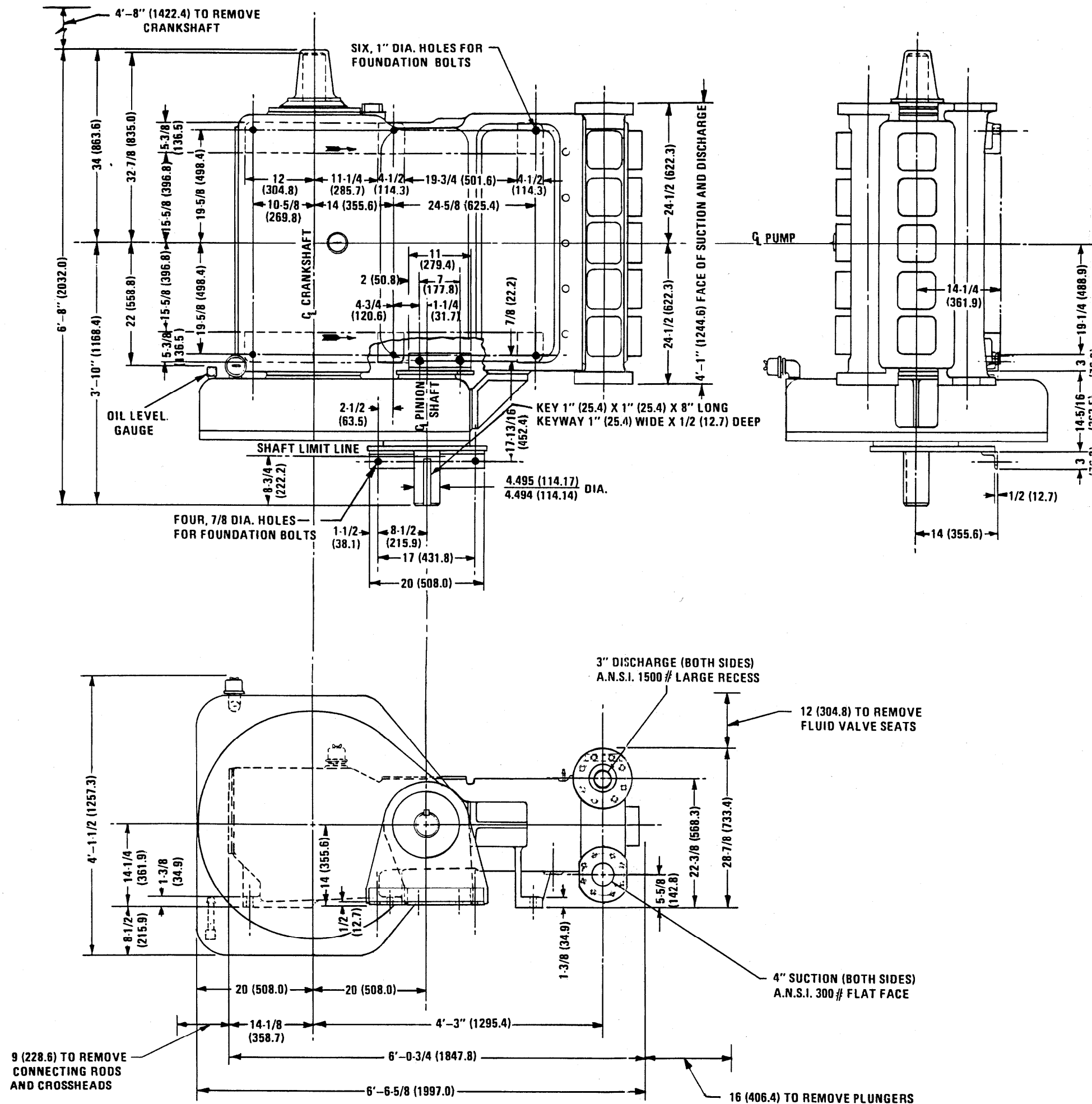
9

NOTE: ACCESSORY GEAR REDUCTION AVAILABLE IN 2.698:1, 3.680:1, 5.500:1 AND 9.500:1 RATIOS. THE GEAR UNIT CAN BE MOUNTED ON EITHER SIDE OF PUMP.

		HOUSTON, TEXAS U.S.A. ENGINEERING, McALESTER, OKLAHOMA	
TITLE OUTLINE DRAWING (WITH DIRECT DRIVE GEAR) 267Q-6M QUINTUPLEX PLUNGER PUMP			
SIZE B	REFERENCE No.	DRAWING No. P139-A2	REV
SCALE NONE	EST WT	SHEET 1 OF 1	

NOTE: THESE DIMENSIONS ARE ACCURATE BUT SHOULD NOT BE USED FOR INSTALLATION UNLESS CERTIFIED. DIMENSIONS IN BRACKETS ARE MEASURED IN MILLIMETERS.

PUMP, AS SHOWN, IS FOR RIGHT HAND DRIVE. LEFT HAND DRIVE IS OPPOSITE THAT SHOWN.

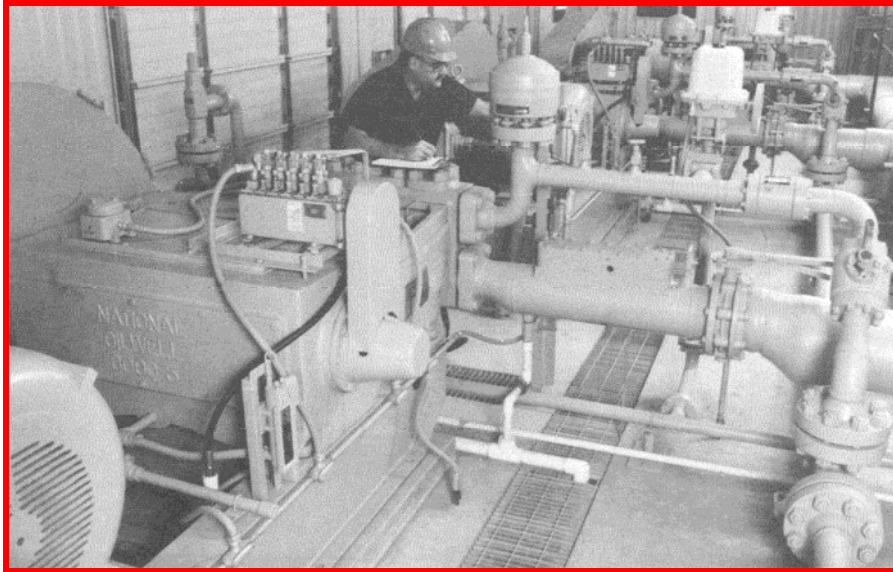


10

NOTE: ACCESSORY GEAR REDUCTION AVAILABLE IN 2.698:1 AND 3.680:1 RATIOS. THE GEAR UNIT CAN BE MOUNTED ON EITHER SIDE OF PUMP.

		HOUSTON, TEXAS U.S.A.		ENGINEERING, McALESTER, OKLAHOMA	
		TITLE OUTLINE DRAWING (WITH OVERHUNG LOAD GEAR) 267Q-6M QUINTUPLEX PLUNGER PUMP			
SIZE	REFERENCE No.	DRAWING No.	REV		
B		P139-B2			
SCALE	NONE	EST WT	SHEET 1 OF 1		

NATIONAL OILWELL VARCO



With over 120 locations worldwide, National Oilwell Varco is located near you. To find the nearest Distribution Service Center, machinery center or repair facility, please give us a call at our main office listed below.

Or you can access our website at the URL listed below, where you may search by location or country.

<http://www.nov.com/contactus/>

Sales/Technical Information:
USA Tollfree: 1 (800) 324-4706

Internet: <http://www.nov.com>

National Oilwell Varco is a leading manufacturer of reciprocating plunger pumps, Mission Fluid King centrifugal pumps, and fluid end replacement parts. We also offer a complete set of solutions to your fluid transfer challenges. For more Information, contact National Oilwell Varco directly at the Headquarters in Houston, Texas. All National Oilwell Varco products are available throughout the U.S. and around the world from service centers, authorized distributors, and representatives.

© Copyright 1999 by National Oilwell, L.P. All Rights Reserved. NATIONAL OILWELL, NATIONAL, and OILWELL are registered trademarks of NATIONAL OILWELL, L.P. Houston, Texas, USA. All other trademarks used are registered to their respective companies. The information and data in this brochure, including but not limited to pictures, photographs, charts, diagrams, drawings, lists, written comments, and specifications, are accurate to the best of our knowledge and belief, but are intended for general information only. Applications suggested for the materials and other information are described only to help readers make their own evaluations and decisions, and are neither guarantees nor are they to be construed as express or implied warranties of suitability for these or other applications. National Oilwell makes no warranty, either express or implied, beyond that stipulated in National Oilwell's Standard Terms and Conditions of Sale which are available upon request.