

# Yale™ Y2000 Closure

Our Yale Y2000 is a clamp-style closure that is designed specifically for pipeline application, currently 6-24 inches. The operation is simple, safe, does not require special tools and does not require the operator to place himself in harm's way during any step of the opening process. Our standard design codes are assigned to meet ASME BPVC Sec. VIII, Div.1 Our Y-2000 is the perfect alternative to the traditional threaded closure.

## Complete Assembly Part Numbers

	Pipe Schedule	O-ring	Part Numbers
6 in.	STD	VITON	Y06D603
	XH	VITON	Y06D602
8 in.	STD	VITON	Y08D603
	XH	VITON	Y08D602
10 in.	STD	VITON	Y10D603
	XH	VITON	Y10D602
12 in.	STD	VITON	Y12D603
	XH	VITON	Y12D602
14 in.	STD	VITON	Y14D603
	XH	VITON	Y14D602
16 in.	STD	VITON	Y16D603
	XH	VITON	Y16D602
18 in.	STD	VITON	Y18D603
	XH	VITON	Y18D602
20 in.	S40	VITON	Y20D603
	XH	VITON	Y20D602
24 in.	S40	VITON	Y24D603
	XH	VITON	Y24D602

Note: Closure includes O-ring  
For flanged product, add a "1" instead of a "0". For example, a 12-inch STD VITON Y12D603 becomes a Y12D613.

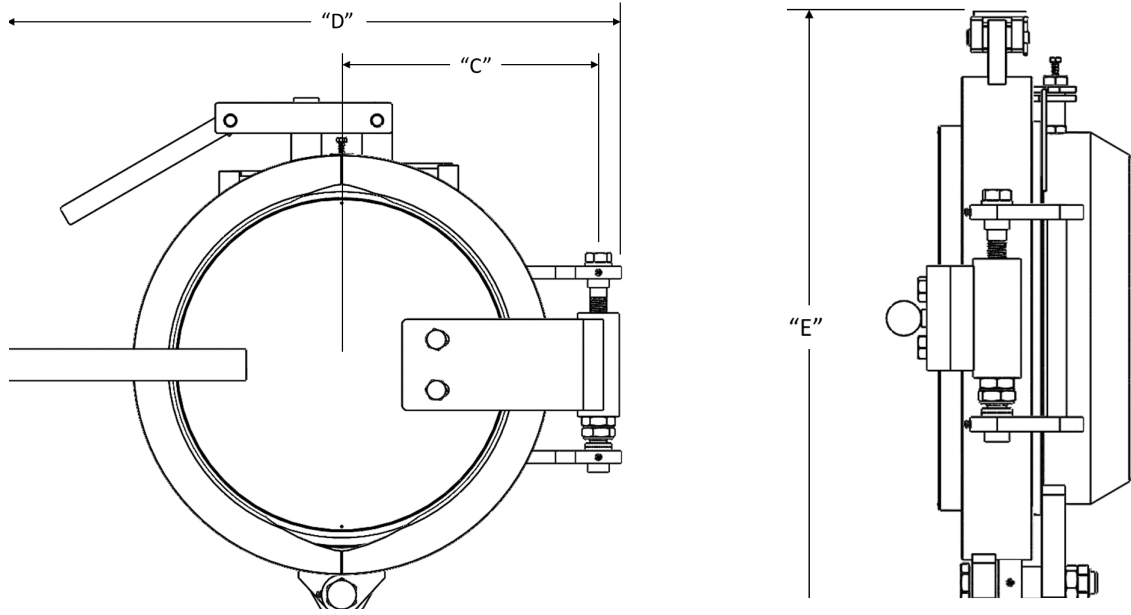
## Features

- "Quick opening" in less than 90 seconds
- Simple operation with no special tools required
- PAV pressure warning device is integral to closure operation
- Compliant with pipeline design codes ASME B31.4 and ASME B31.8
- Fabricated in the USA; available in weld end and flanged end

## Spare/Replacement O-ring Part Numbers

Size	Material	Part Number
6 in.	VITON	Y06D002A
8 in.	VITON	Y08D002A
10 in.	VITON	Y10D002A
12 in.	VITON	Y12D002A
14 in.	VITON	Y14D002A
16 in.	VITON	Y16D002A
18 in.	VITON	Y18D002A
20 in.	VITON	Y20D002A
24 in.	VITON	Y24D002A

# Yale Y2000 Closure



Size	"A" Swing Radius	"B" Overall Length	"C" Center to Hinge	"D" Overall Width	"E" Overall Height	Closure Weight
6 in.	18.09 in.	7.12 in.	7.50 in.	18.50 in.	14.12 in.	67 lbs
8 in.	20.00 in.	7.00 in.	9.38 in.	20.50 in.	17.00 in.	90 lbs
10 in.	22.50 in.	7.50 in.	10.50 in.	23.25 in.	19.12 in.	136 lbs
12 in.	24.50 in.	8.00 in.	11.50 in.	25.00 in.	21.25 in.	215 lbs
14 in.	29.87 in.	10.69 in.	12.75 in.	30.49 in.	25.83 in.	387 lbs
16 in.	34.07 in.	11.43 in.	16.20 in.	34.82 in.	28.88 in.	515 lbs
18 in.	40.52 in.	15.18 in.	19.66 in.	41.28 in.	35.60 in.	1050 lbs
20 in.	43.02 in.	17.00 in.	20.27 in.	43.77 in.	38.88 in.	1408 lbs
24 in.	50.31 in.	17.00 in.	24.10 in.	51.10 in.	42.86 in.	1735 lbs

PAV Assembly	Part Number
6, 8, and 10 in. with VITON O-ring	Y08D065A
12, 14, and 16 in. with VITON O-ring	Y12D065A
18, 20, and 24 in. with VITON O-ring	Y20D065A

\* PAV assembly includes: PAV, O-ring for PAV, and replacement chain to attach to closure.

