

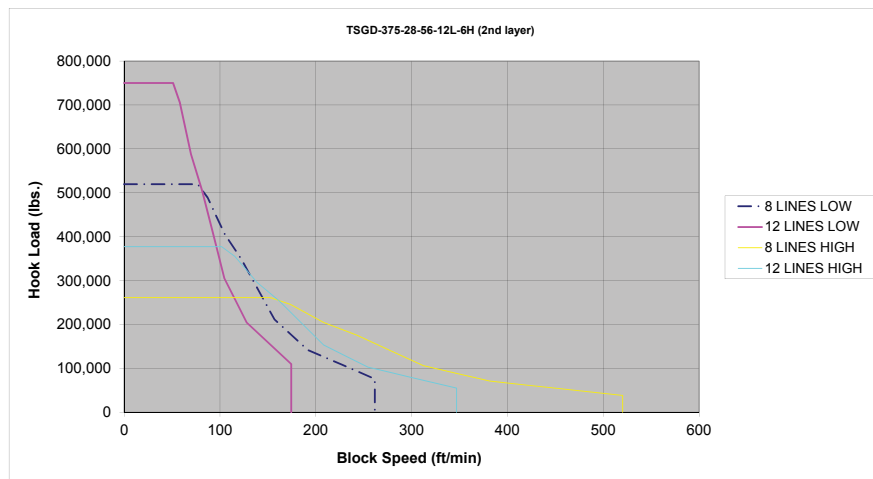
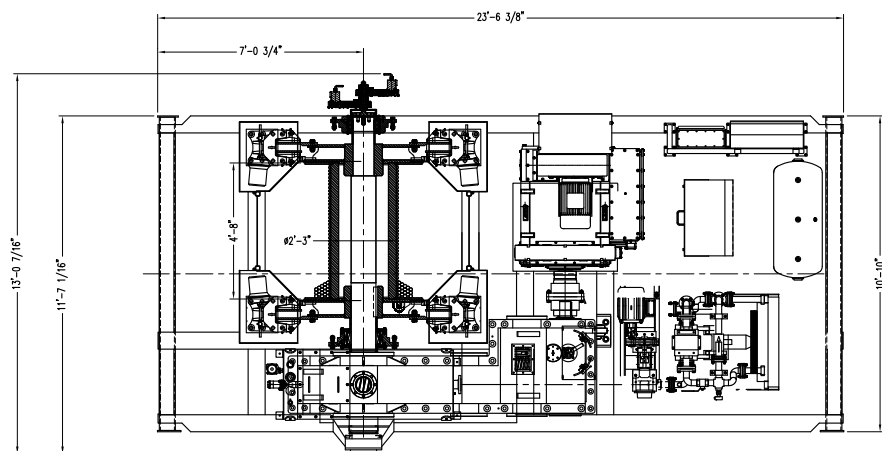
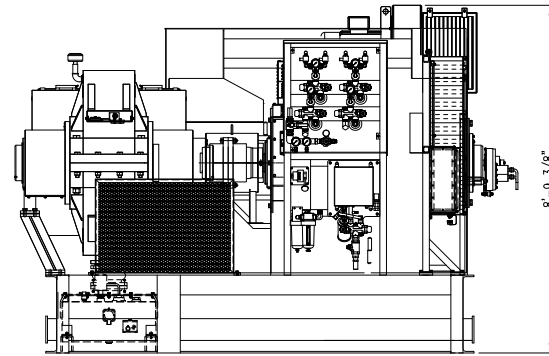
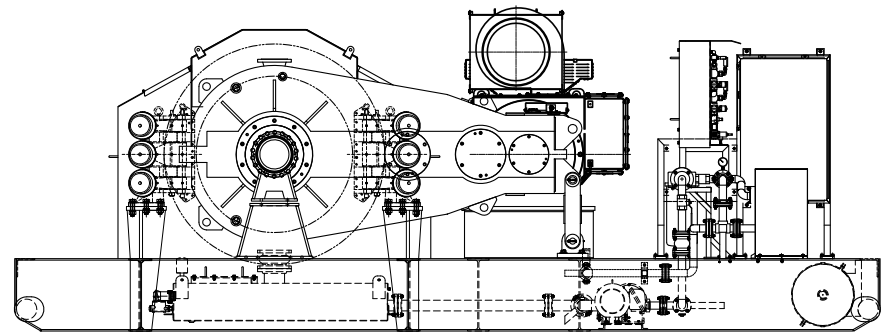
The DSGD-375 drawworks features a direct drive design ideal for rig applications where space, weight, and power are important considerations. Service braking is achieved using an AC motor, which is also the prime

mover for the drawworks. Emergency brakes (2) are spring applied, pneumatic release calipers

SSGD-250 drawworks is a single speed, gear driven drawworks rated at 1,500 HP driven by a single AC drilling motor. Because of its low weight and compact size, the SSGD-250 is easy to transport, making it ideal for land

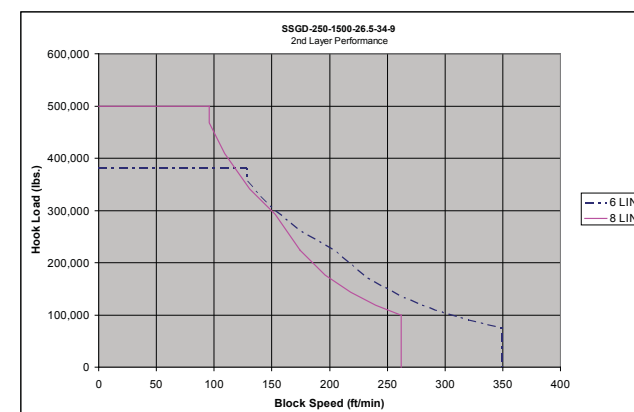
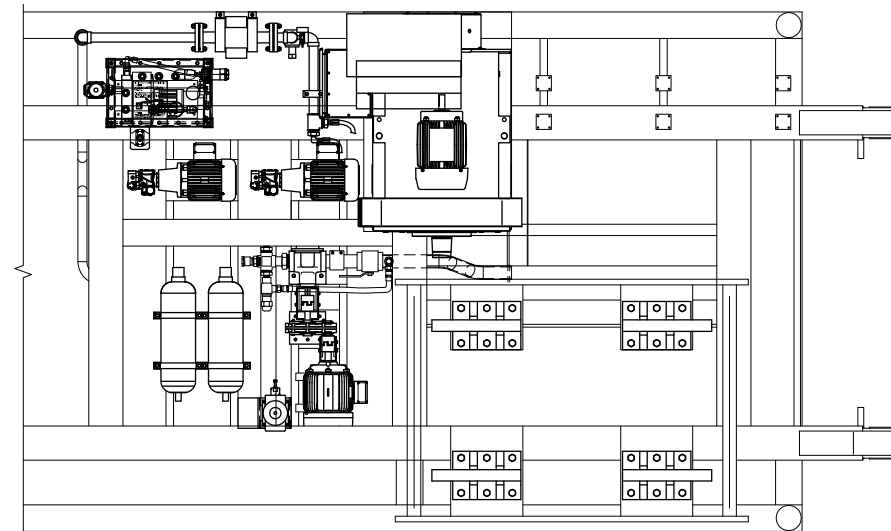
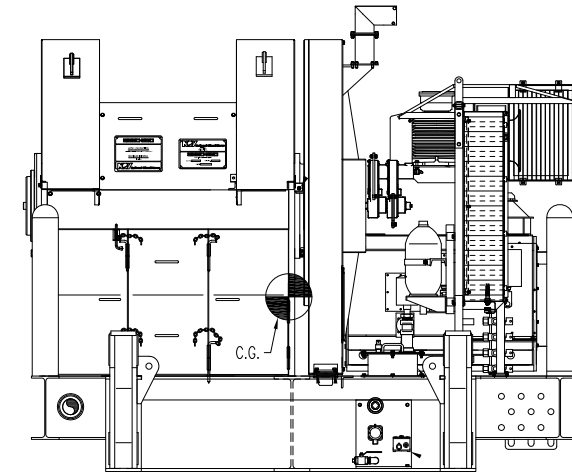
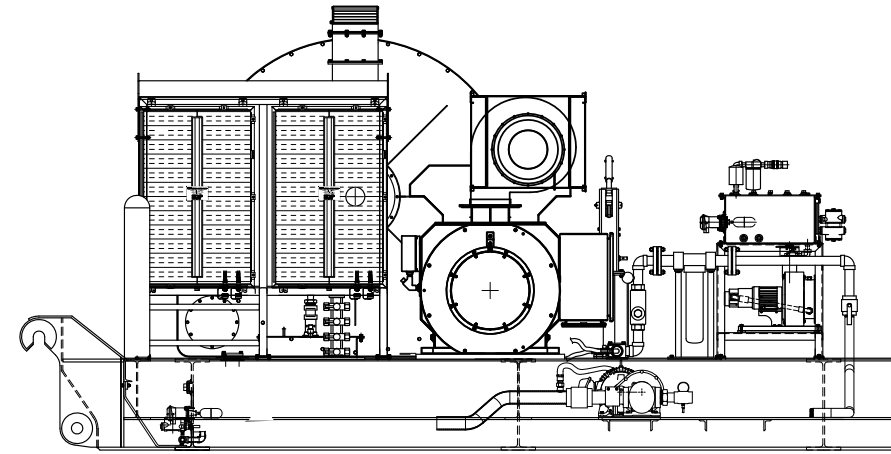
rigs. Service braking is achieved using the AC motor which is also the prime mover. Emergency brakes (2) are spring applied, hydraulic release calipers. The SSGD-250 is provided with a dedicated HPU for brake operation.

DSGD-375



Technical Specifications	
DESIGN DATA	
Max hook load 12 lines	375 sT (340.2 mT)
Max hook load 10 lines	318.5 sT (288.9 mT)
Weight	68,746 lbs (31,183 kg)
Dimensions (LxWxH)	282.4" x 163.1" x 105.4" (717.3 cm x 414.3 cm x 267.7 cm)
Wireline size	1 3/8"
Maximum ambient temperature	104°F (40°C)
Drum size	27" x 56" (68.6 cm x 142.2 cm)
Drum diameter @ root of grooving	28" (71.1 cm)
Continuous power	1,500 Hp
Intermittent power	1,800 Hp
Oil sump capacity	100 US Gal. (379 L)
Lube pump rating	19 gpm @ 250 psi (72L/min @ 1,724 kPa)
Skid dimensions (L x W)	282.4" x 130" (717.3 cm x 330.2 cm)
GEAR RATIO	
High gear	7.99:1
Low gear	11.95:1
BRAKES	
Number of brake discs	2
Brake disc cooling method	Air cooling
Brake disc diameter	72" (182.9 cm)
Brake disc thickness	4" (10.2 cm)
DRILLING MOTOR	
Type	NOV CM632UUT
Number of motors	1
HP per motor	1,500

SSGD-250



Technical Specifications	
DESIGN DATA	
Max hook load 8 lines	250 sT (226.8 mT)
Max hook load 6 lines	191 sT (173.3 mT)
Max block speed 8 lines	305 fpm @ 60,000 lbs (1.55 m/s @ 725 kN)
Weight	71,309 lbs (32,345 kg)
Dimensions (LxWxH)	221.0" x 137" x 117.6" (561.3 cm x 348 cm x 298.7 cm)
Wire rope diameter	1 1/4"
Drum size	36" x 71" (91.4 cm x 180.3 cm)
Drum diameter @ root of grooving	26.5" (67.3 cm)
Continuous power	1,500 Hp
Intermittent power	1,800 HP
Lube pump rating	22 GPM @ 150 PSI
Oil slump capacity	226 US GAL. (857 L)
Skid dimensions (L x W)	221" x 108" (561.3 cm x 274.3 cm)
GEAR RATIO	
Overall gear ratios	9:1
BRAKES	
Number of brake discs	2
Brakes	2 x 36" (2 x 91.4 cm)
Brake disc cooling method	Air cooling
Brake disc diameter	76 1/2"
DRILLING MOTOR	
Type	NOV CM632UUT
Number of motors	1
HP per motor	1,500