



# Roughneck Heavy-Duty Stabbing Guides

**MSI Pipe Protection Technologies' Roughneck HD Stabbing Guides are specifically designed to ensure no damage occurs to either the pin or box of the tubular member during the stabbing operation.**

MSI's Roughneck HD stabbing guide is manufactured from high grade steel and encapsulated by epoxy urethane material. Molded to specific thread profile designs, the device guides the pin end of the pipe into the box end of the joint below. The precision guiding ensures no stripping damage caused by improper thread engagement.

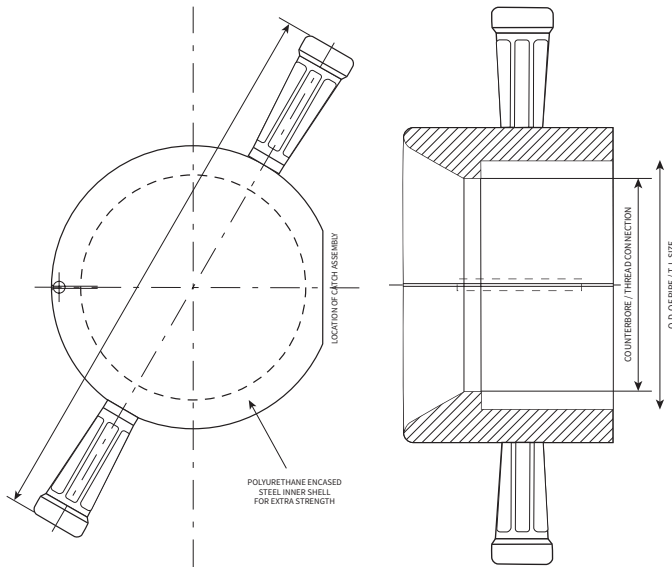
Although made of a tough and abrasive-resistant urethane, the guide is softer than the steel of the tubular joint and therefore provides additional protection to seal faces, leading threads, and specialty coatings.



## Features

- Safe
- Durable
- Field proven
- Easy operation
- All sizes available
- Custom build available
- Total stabbing protection
- Efficient

# Roughneck Heavy-Duty Stabbing Guides



Stabbing guides are machined to spec.  
Please inquire for size and connection required.



Closed

Open

Item No.	Size	Thread Profile	Tool Joint / Coupling OD
80688	2 3/8	HT PAC	3.375
81047	2 3/8	IF	3.375
80531	2 3/8	PH6	2.908
80691	2 7/8	EUE 8RD	3.668
80701	2 7/8	HT PAC	3.500
80702	2 7/8	HT PAC	3.125
80530	2 7/8	PH6	3.500
80369	2 7/8	PH6	3.438
81038	3 1/2	IF	4.875
80572	3 1/2	IF	4.500
80570	3 1/2	IF	4.750
80571	3 1/2	IF	5.000
81484	3 1/2	DS38	5.000
80226	3 1/2	HT38	5.000
81201	3 1/2	XT38	4.750
81494	4	XT38	5.250
80770	4	FH	5.500
80769	4	FH	5.250
80370	4	IF NC46	6.250
81358	4	SLHT	4.500
80526	4	XT39	4.875
81322	4	XT39	5.500
80783	4	XT39	5.000
81485	4	DS40	5.250
80539	4 1/2	IF NC50	6.500
80700	4 1/2	IF NC50	6.750
80377	4 1/2	IF NC50	6.375
80348	4 1/2	IF NC50	6.625
80556	4 1/2	TM250	6.625
80854	4 1/2	XH	5.500
80459	4 1/2	XH	6.500
80712	5	DS50	6.625
80730	5	GPDS	6.625
81443	5	HT50	6.500
81311	5	HT50	6.625
80881	5	XT50	6.625
80711	5 1/2	DS55	7.000
81228	5 1/2	DS55	7.125
80527	5 1/2	FH	7.500
80295	5 1/2	FH	7.250
80603	5 1/2	FH	7.000
81461	5 1/2	FH	7.375
80600	5 1/2	GPDS50	6.625
80601	5 1/2	GPDS55	7.250
80550	5 1/2	HT55	7.000
81048	5 1/2	HT55	7.125
81246	5 1/2	HT55	7.250
80584	5 1/2	TSDS50	6.625
80898	5 1/2	XT54	6.625
81320	5 1/2	XT54	7.000
80288	5 7/8	XT57	7.000
81222	5 7/8	XT57	7.250
81229	6 5/8	DS65	8.125
81298	6 5/8	DS65	8.375
80281	6 5/8	FH	8.500
80689	6 5/8	FH	8.250
80699	6 5/8	FH	8.000
81230	6 5/8	FH	8.688
80728	6 5/8	GPDS	8.500
80585	6 5/8	REG	8.000
80587	7	BTC	7.656
80855	7	LTC	7.688
80586	7 5/8	REG	9.500
80588	9 5/8	BTC	10.625
80589	13 5/8	BTC	14.375

MSI Pipe Protection Technologies GBR | +44 (0)1224 708011

WT-GBR-MSIPipeProtection@nov.com

MSI Pipe Protection Technologies USA | 877-276-9208

WT-USA-MSIPipeProtection@nov.com